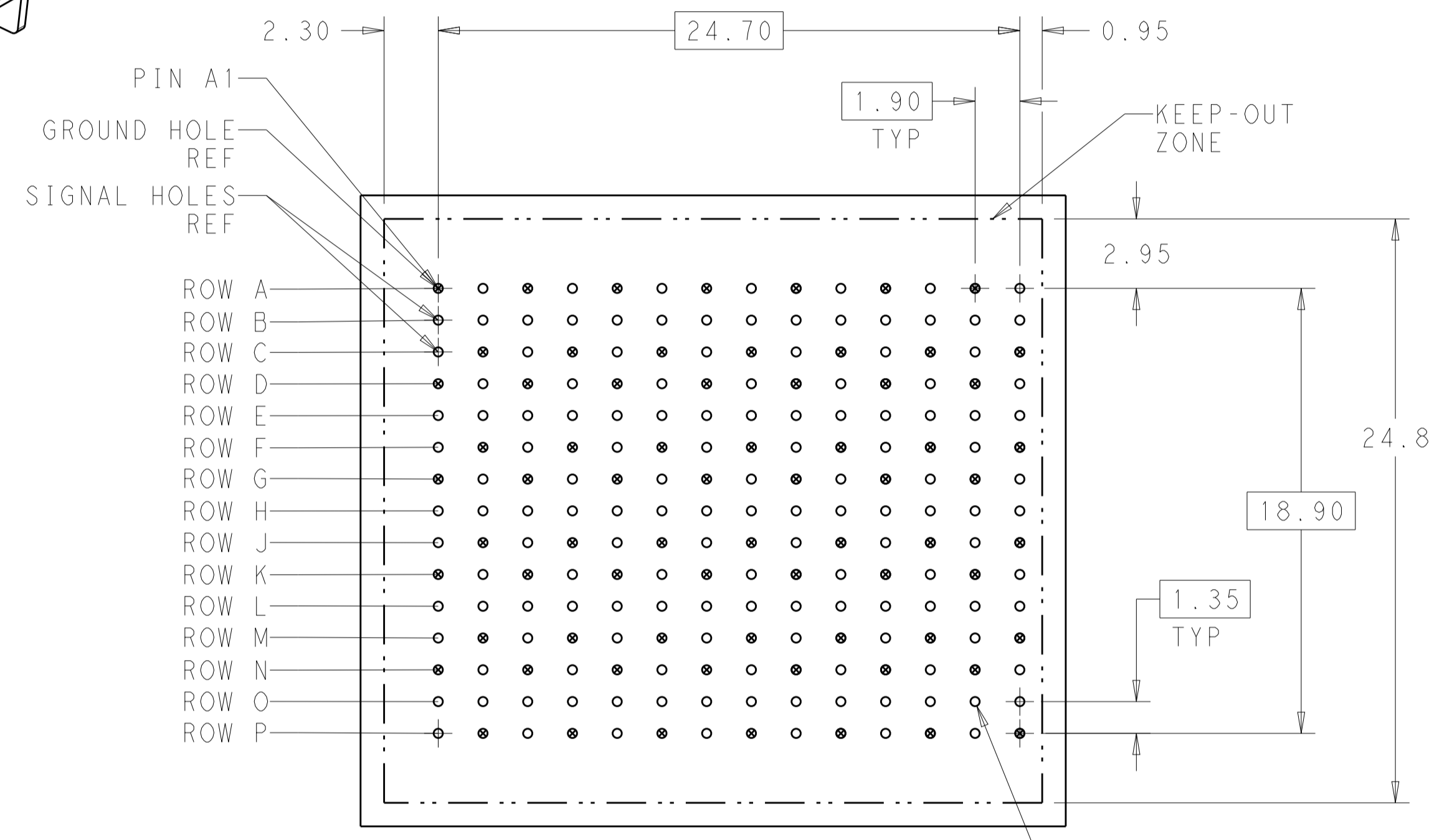
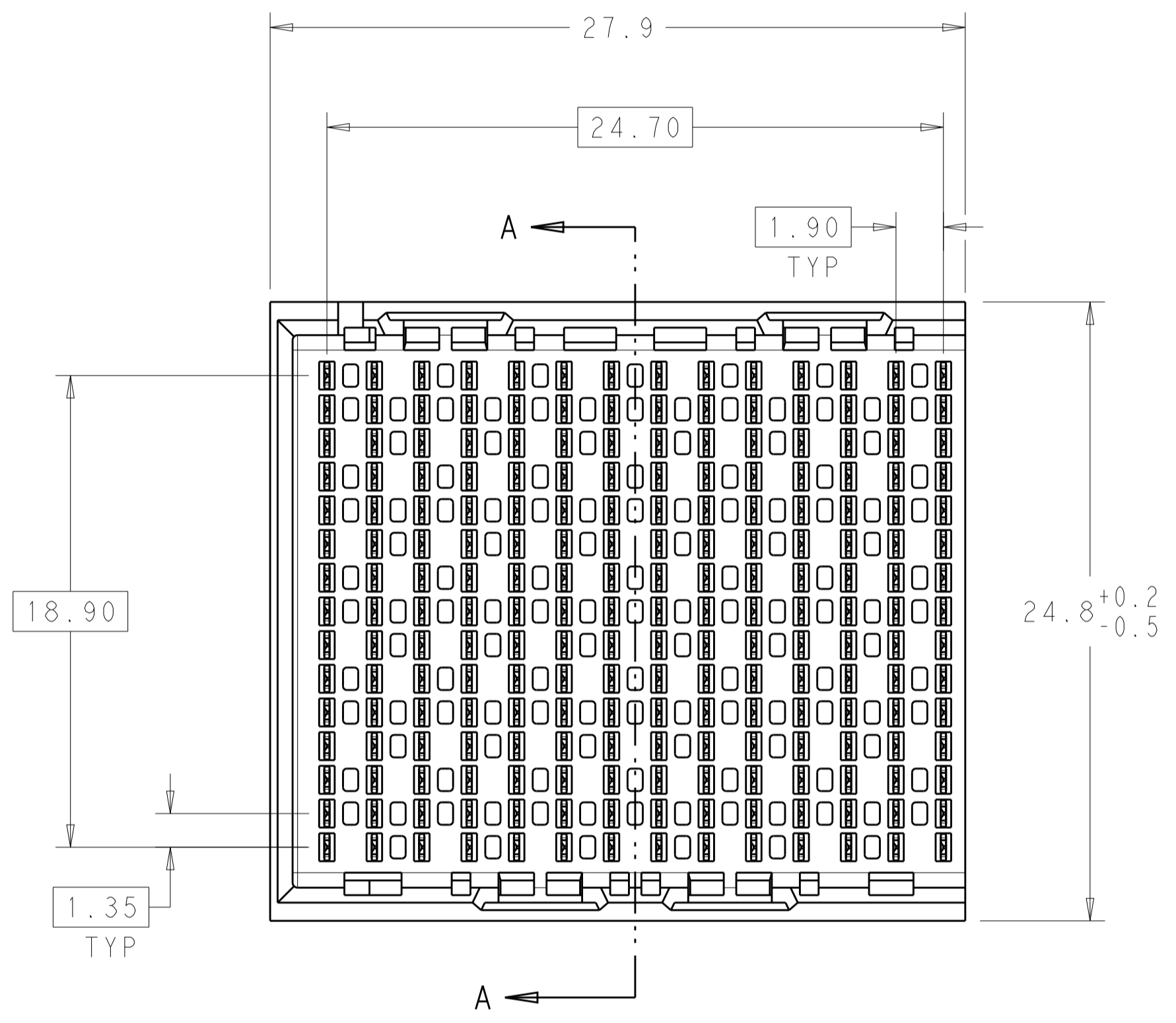
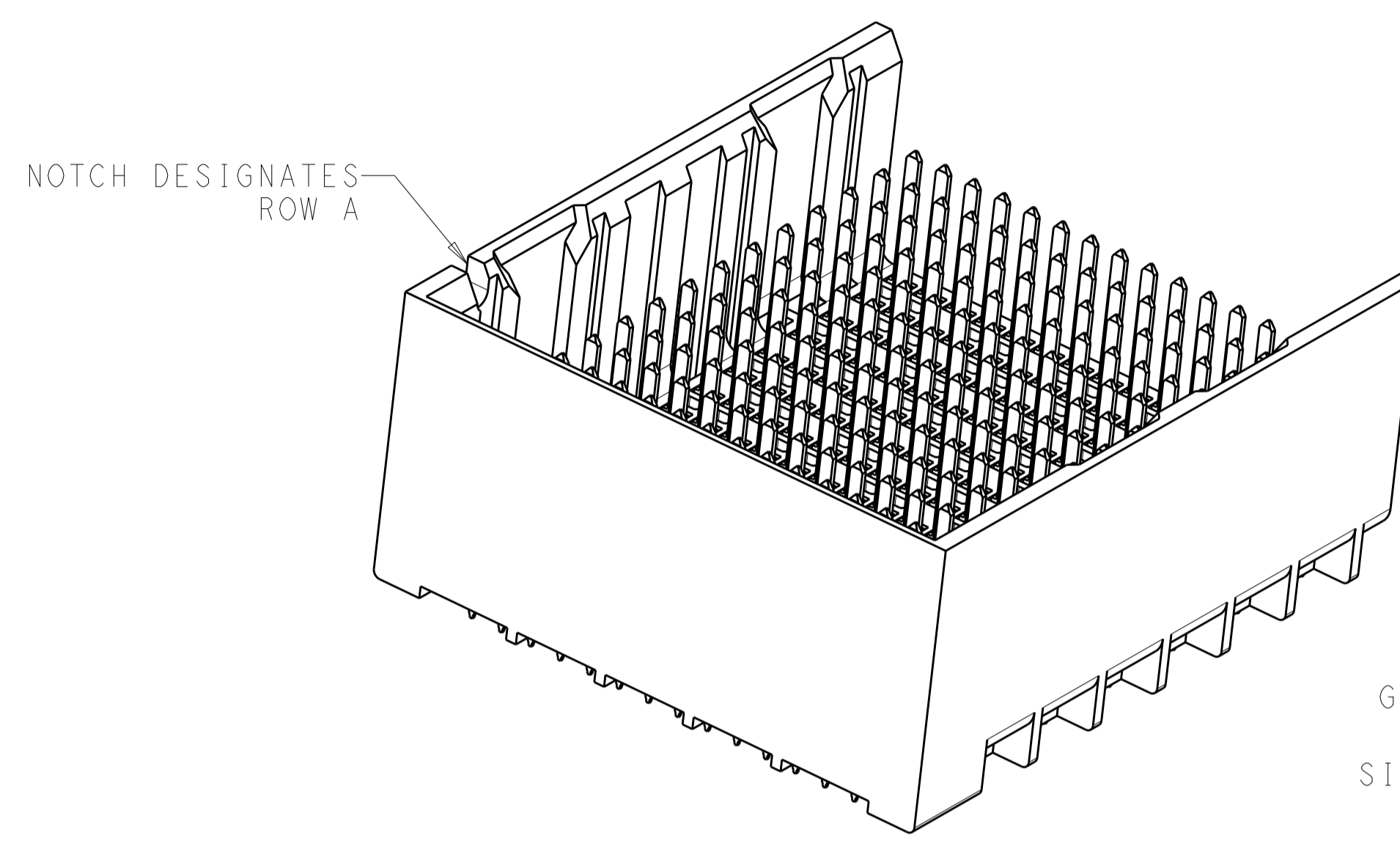
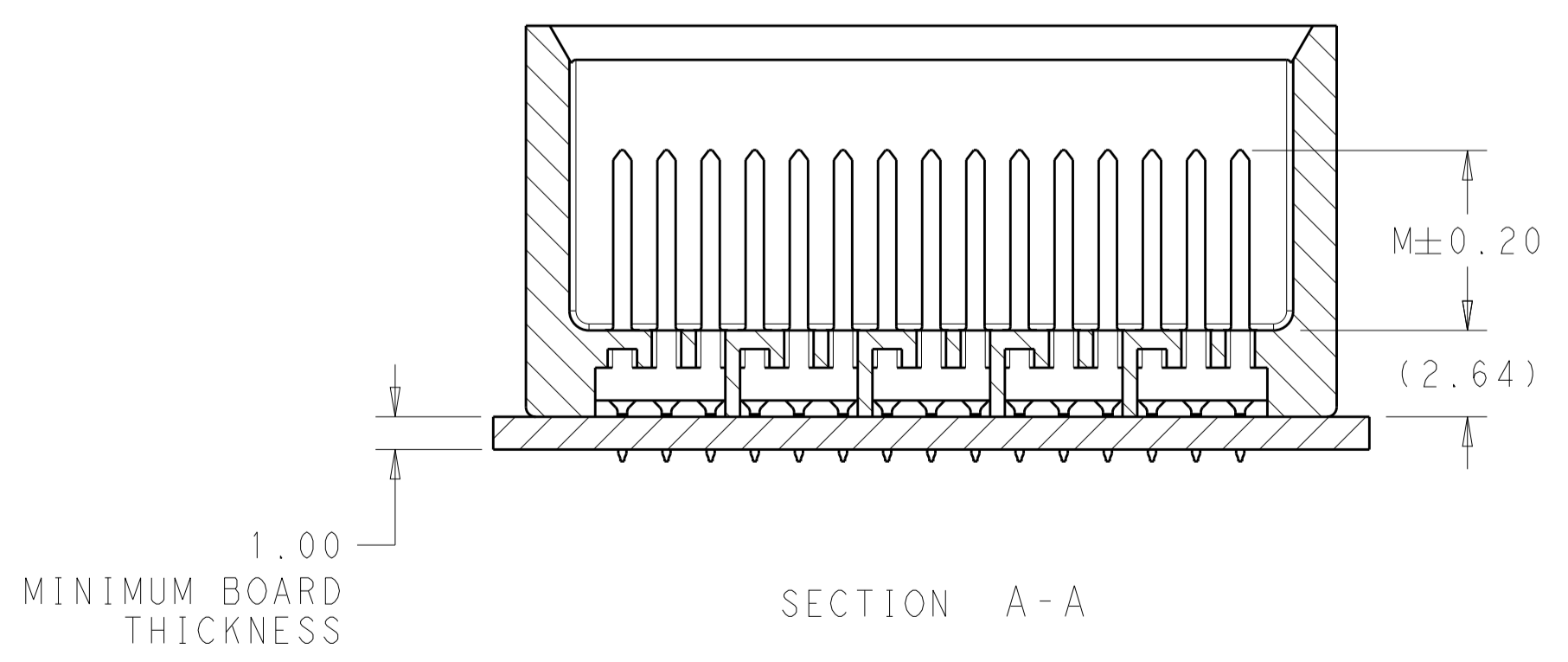
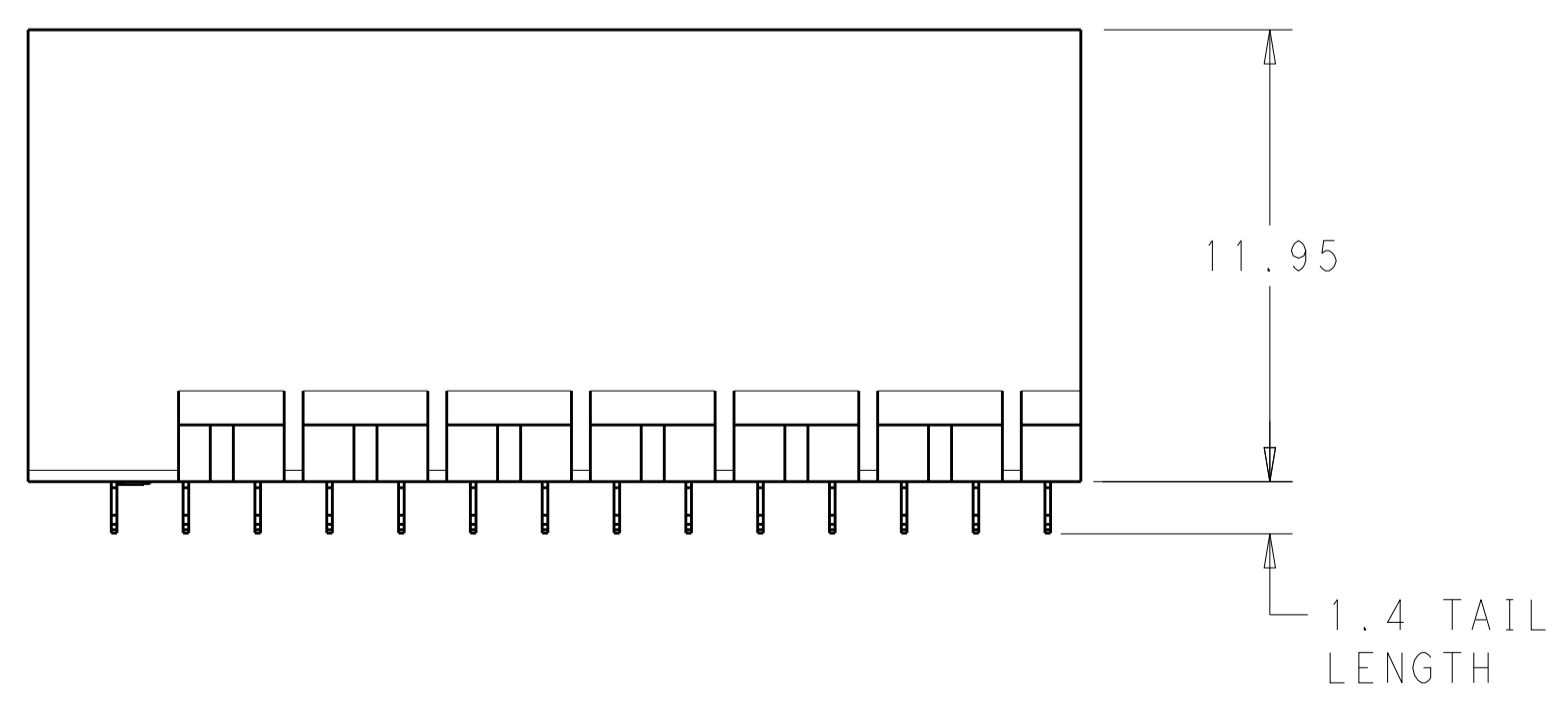


LOC		DIST		REVISIONS			
AD	00	P	LTN	DESCRIPTION	DATE	DWN	APVD
		A		REVISED PER ECO-15-003242	23MAR2015	AP	DD

- 1 MATERIAL:
HOUSING: LCP, GLASS FILLED, UL94V-0.
TERMINALS: HIGH PERFORMANCE COPPER ALLOY.
- 2 FINISH:
30µ" MIN GOLD IN CONTACT AREA. SELECTIVE TIN ON PCB TAILS, NICKEL OVERALL.
- 3 FINISH:
30µ" MIN GOLD IN CONTACT AREA. SELECTIVE TIN-LEAD ON PCB TAILS, NICKEL OVERALL.



UNGUIDED BACKPLANE HOLE PATTERN (CONNECTOR SIDE)



THIS DRAWING IS A CONTROLLED DOCUMENT.		DWN B. CARBO 03JAN2013	 TE Connectivity
DIMENSIONS: mm		CHK D. DIXON 03JAN2013	
TOLERANCES UNLESS OTHERWISE SPECIFIED:		APVD D. DIXON 03JAN2013	NAME
0 PLC ±	1 PLC ±0.25	PRODUCT SPEC	IMPACT, 5 PAIR, 14 COLUMN, HEADER UNGUIDED, LEFT END WALL SIGNAL MODULE, 0.39 PTH
2 PLC ±0.13	3 PLC ±	APPLICATION SPEC	SIZE
4 PLC ±	ANGLES ±	WEIGHT	A100779C=2143150
FINISH SEE TABLE		Customer Drawing	RESTRICTED TO
		SCALE 5:1	SHEET 1 OF 2 REV A

THIS DRAWING IS UNPUBLISHED. RELEASED FOR PUBLICATION 20
 © COPYRIGHT 20 BY - ALL RIGHTS RESERVED.

LOC		DIST		REVISIONS			
AD	00	P	LTN	DESCRIPTION	DATE	DMN	APVD
-	-	-	-	SEE SHEET 1	-	-	-

FINISH	DIM M	PART NUMBER
△3	5.5	2143150-6
△3	4.9	2143150-5
△3	4.5	2143150-4
△2	5.5	2143150-3
△2	4.9	2143150-2
△2	4.5	2143150-1

REFER TO WWW.TE.COM
 FOR PRODUCT AVAILABILITY

THIS DRAWING IS A CONTROLLED DOCUMENT.		DMN B. CARBO	03JAN2013		TE Connectivity
		CHK D. DIXON	03JAN2013		
DIMENSIONS:		APVD D. DIXON	03JAN2013	NAME	
mm	TOLERANCES UNLESS OTHERWISE SPECIFIED:	PRODUCT SPEC		IMPACT, 5 PAIR, 14 COLUMN, HEADER	
0 PLC	±	APPLICATION SPEC		UNGUIDED, LEFT END WALL	
1 PLC	±0.25	WEIGHT		SIGNAL MODULE, 0.39 PTH	
2 PLC	±0.13	MATERIAL		SIZE	
3 PLC	±	FINISH		CAGE CODE	
4 PLC	±	SEE TABLE		DRAWING NO	
ANGLES	±	Customer Drawing		RESTRICTED TO	
		SCALE		REV	
		5:1		A	
		SHEET		2	
		OF		2	