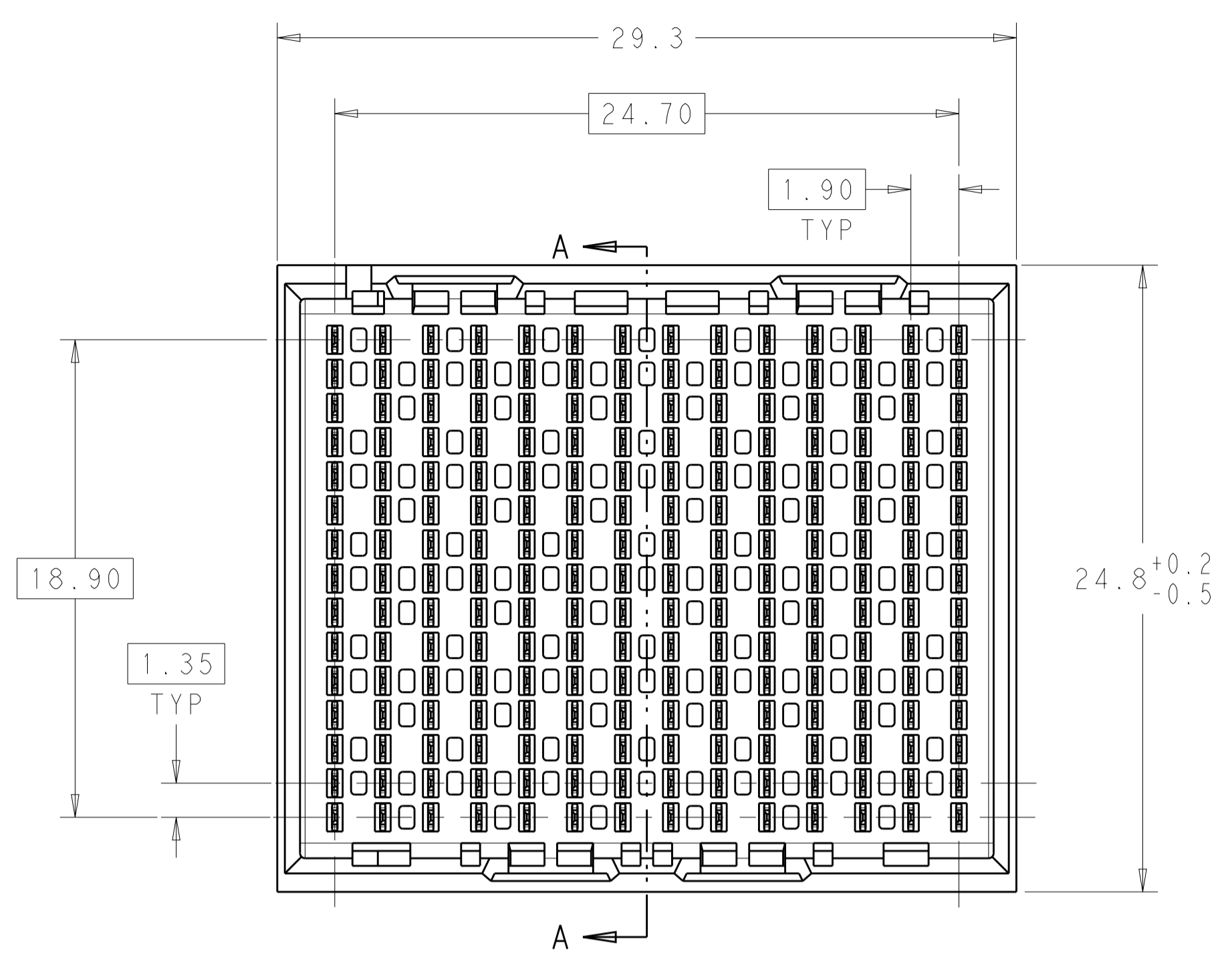
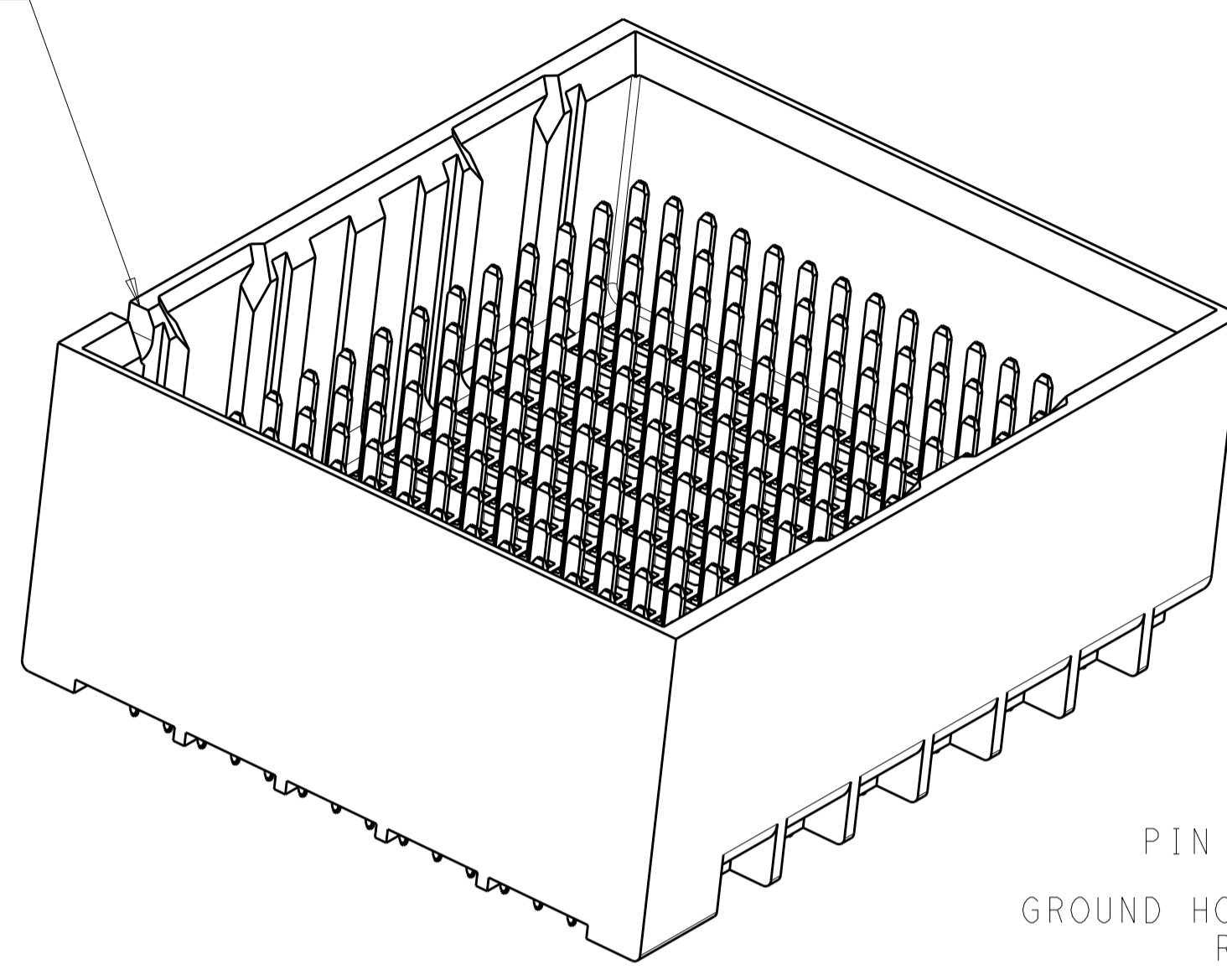


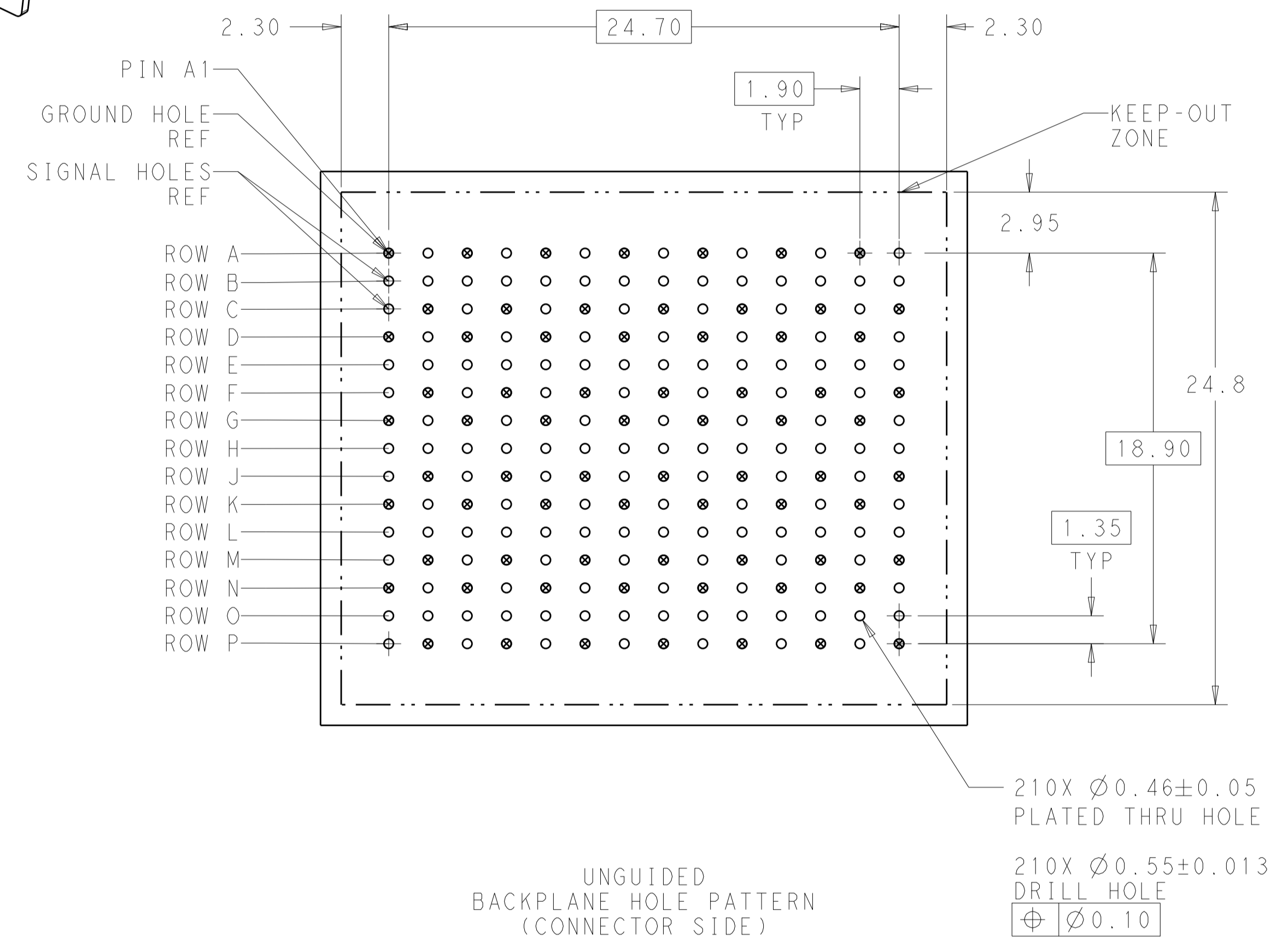
LOC		DIST		REVISIONS			
AD	00	P	LTN	DESCRIPTION	DATE	DWN	APVD
		A		CREATED BY AUTOMATION PROGRAM	06MAY2011	RKC	JE



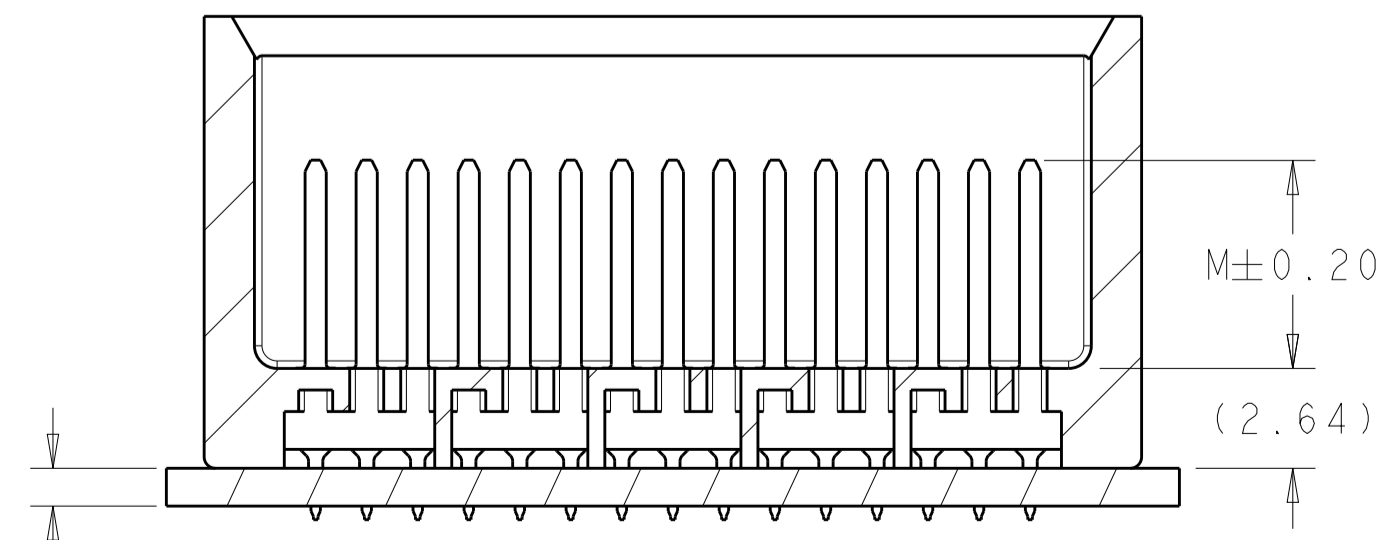
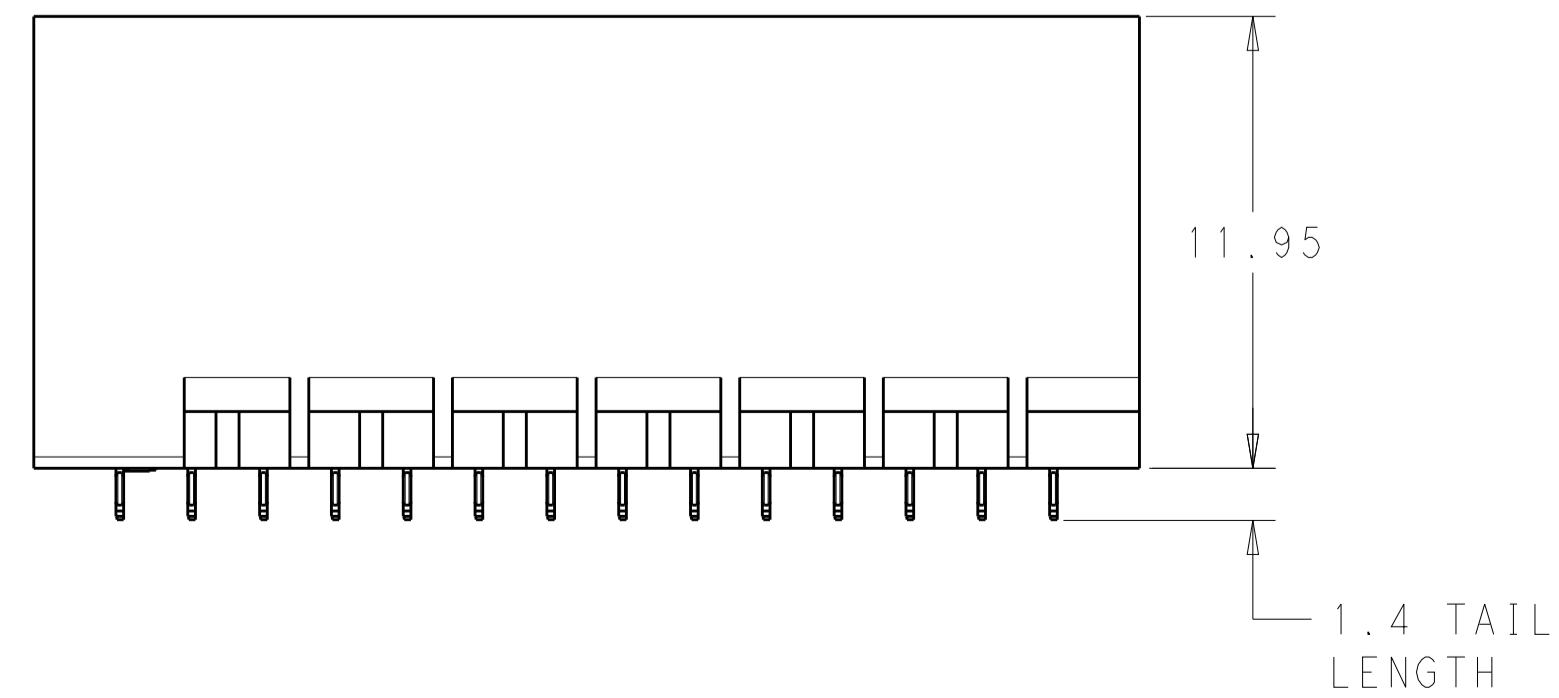
NOTCH DESIGNATES ROW A



- 1 MATERIAL:  
HOUSING: LCP, GLASS FILLED, UL94V-0.  
TERMINALS: HIGH PERFORMANCE COPPER ALLOY.
- 2 FINISH:  
30μ" MIN GOLD IN CONTACT AREA. SELECTIVE TIN ON PCB TAILS, NICKEL OVERALL.
- 3 FINISH:  
30μ" MIN GOLD IN CONTACT AREA. SELECTIVE TIN-LEAD ON PCB TAILS, NICKEL OVERALL.



UNGUIDED BACKPLANE HOLE PATTERN (CONNECTOR SIDE)




THIS DRAWING IS A CONTROLLED DOCUMENT.		DWN R. COELLO 05MAY2011	TE Connectivity
DIMENSIONS: mm		CHK J. EARY 05MAY2011	
TOLERANCES UNLESS OTHERWISE SPECIFIED:		APVD J. EARY 05MAY2011	
0 PLC ± 1 PLC ±0.25 2 PLC ±0.13 3 PLC ± 4 PLC ± ANGLES ± FINISH SEE TABLE		NAME IMPACT, 5 PAIR, 14 COLUMN, HEADER PRODUCT SPEC UNGUIDED, DUAL END WALL APPLICATION SPEC SIGNAL MODULE, 0.46 PTH SIZE CAGE CODE DRAWING NO. RESTRICTED TO WEIGHT A100779C=2143159 CUSTOMER DRAWING SCALE 5:1 SHEET 1 OF 2 REV A	

THIS DRAWING IS UNPUBLISHED. RELEASED FOR PUBLICATION 20  
 © COPYRIGHT 20 BY - ALL RIGHTS RESERVED.

LOC		DIST		REVISIONS			
AD	00	P	LTN	DESCRIPTION	DATE	DWN	APVD
-	-	-	-	SEE SHEET 1	-	-	-

FINISH	DIM M	PART NUMBER
$\triangle_3$	5.5	2143159-6
$\triangle_3$	4.9	2143159-5
$\triangle_3$	4.5	2143159-4
$\triangle_2$	5.5	2143159-3
$\triangle_2$	4.9	2143159-2
$\triangle_2$	4.5	2143159-1

REFER TO WWW.TE.COM  
FOR PRODUCT AVAILABILITY

THIS DRAWING IS A CONTROLLED DOCUMENT.		DWN R. COELLO 05MAY2011	 TE Connectivity
DIMENSIONS:		CHK J. EARY 05MAY2011	
mm		APVD J. EARY 05MAY2011	
TOLERANCES UNLESS OTHERWISE SPECIFIED: 0 PLC ± 1 PLC ±0.25 2 PLC ±0.13 3 PLC ± 4 PLC ± ANGLES ±		NAME IMPACT, 5 PAIR, 14 COLUMN, HEADER UNGUIDED, DUAL END WALL SIGNAL MODULE, 0.46 PTH	RESTRICTED TO
MATERIAL		PRODUCT SPEC	SIZE CAGE CODE DRAWING NO
FINISH		APPLICATION SPEC	A100779C=2143159
SEE TABLE		WEIGHT	CUSTOMER DRAWING
		SCALE 5:1	SHEET 2 OF 2 REV A