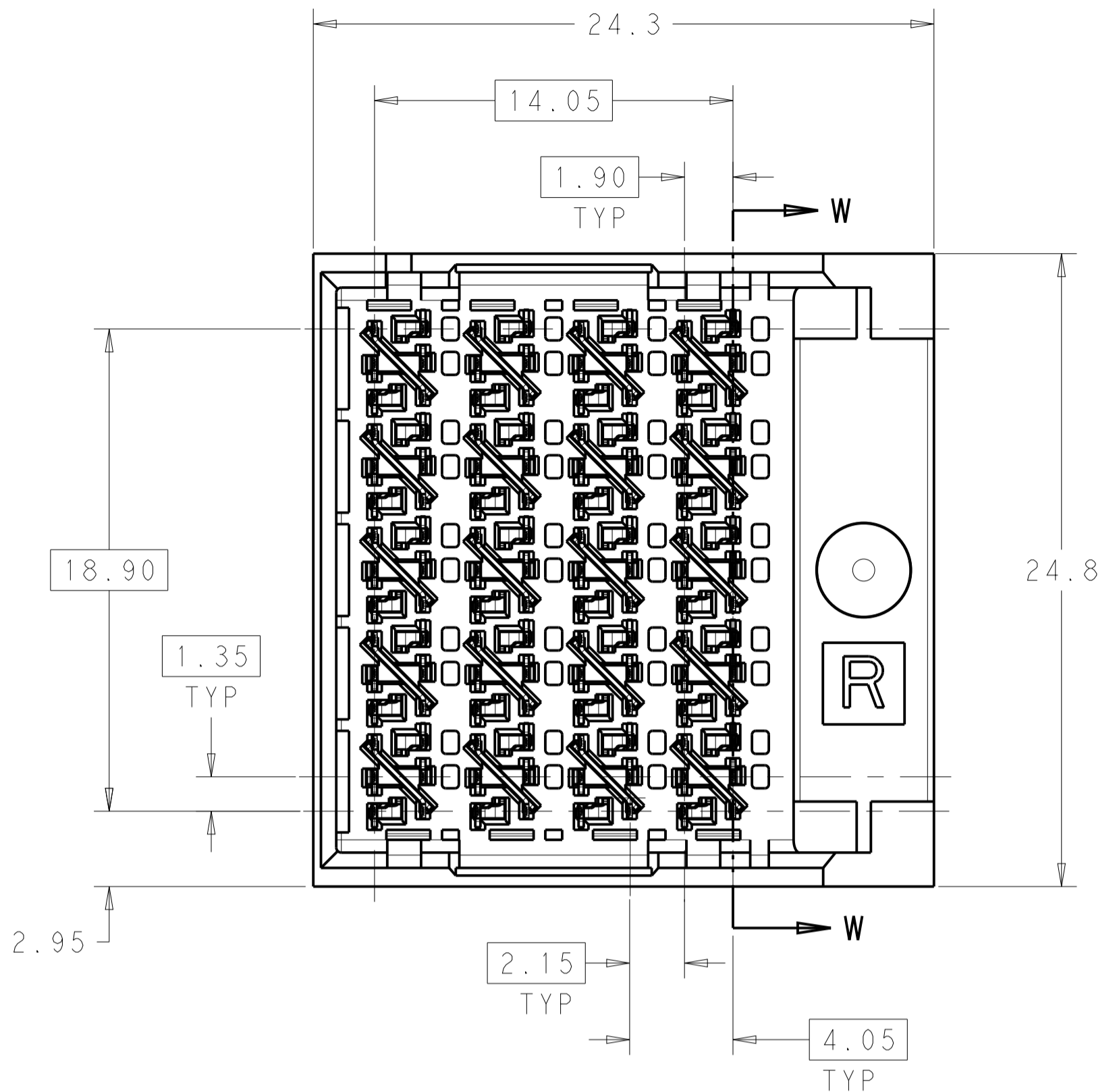
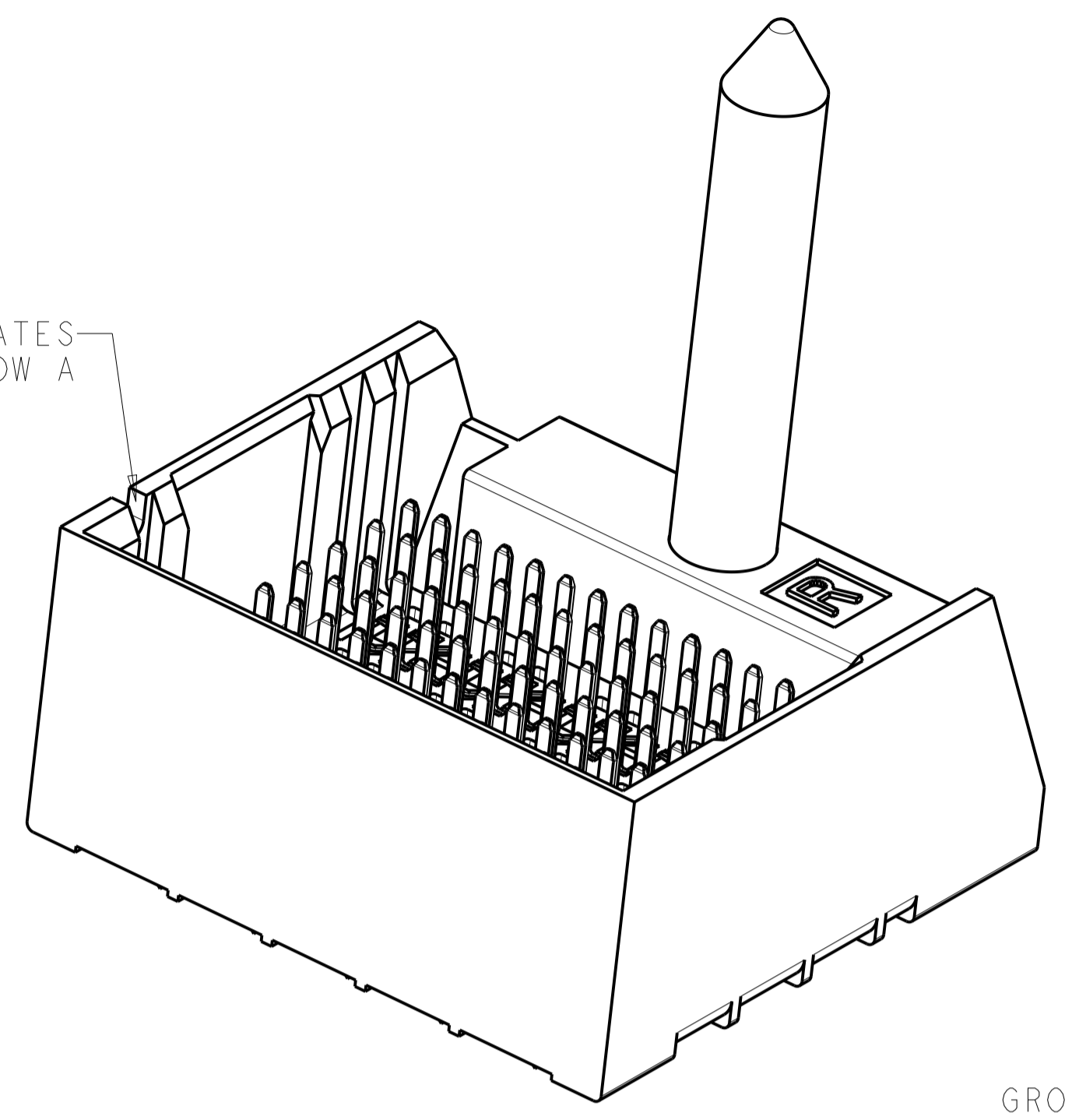


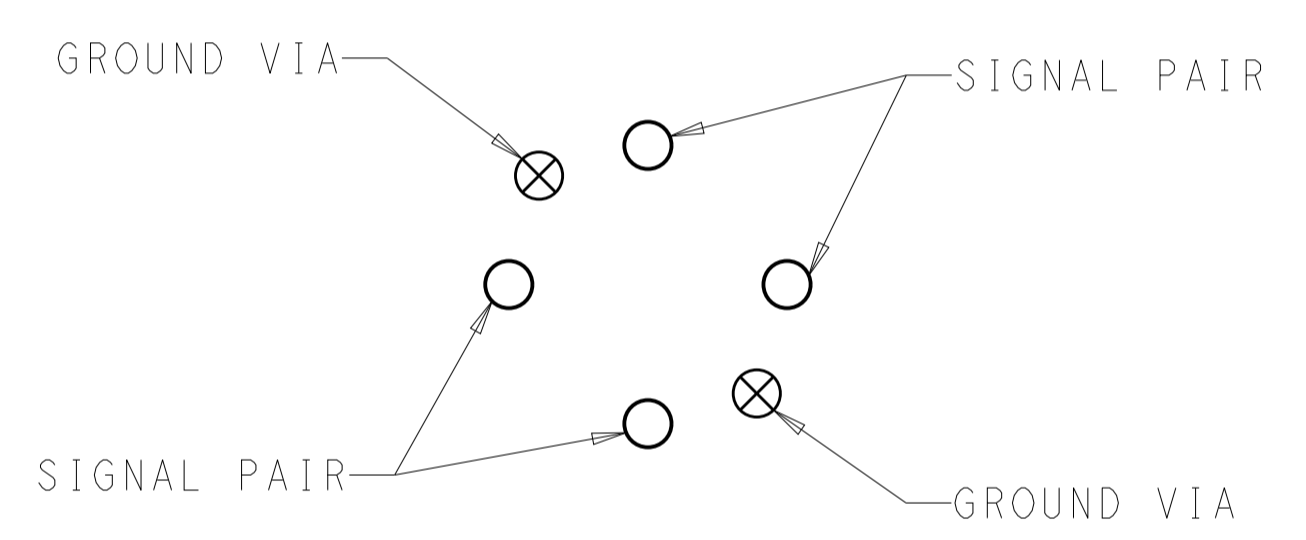
REVISIONS				
P.	LTN	DESCRIPTION	DATE	APV
B		REVISED PER ECO-14-013272	08SEP2014	AP DD



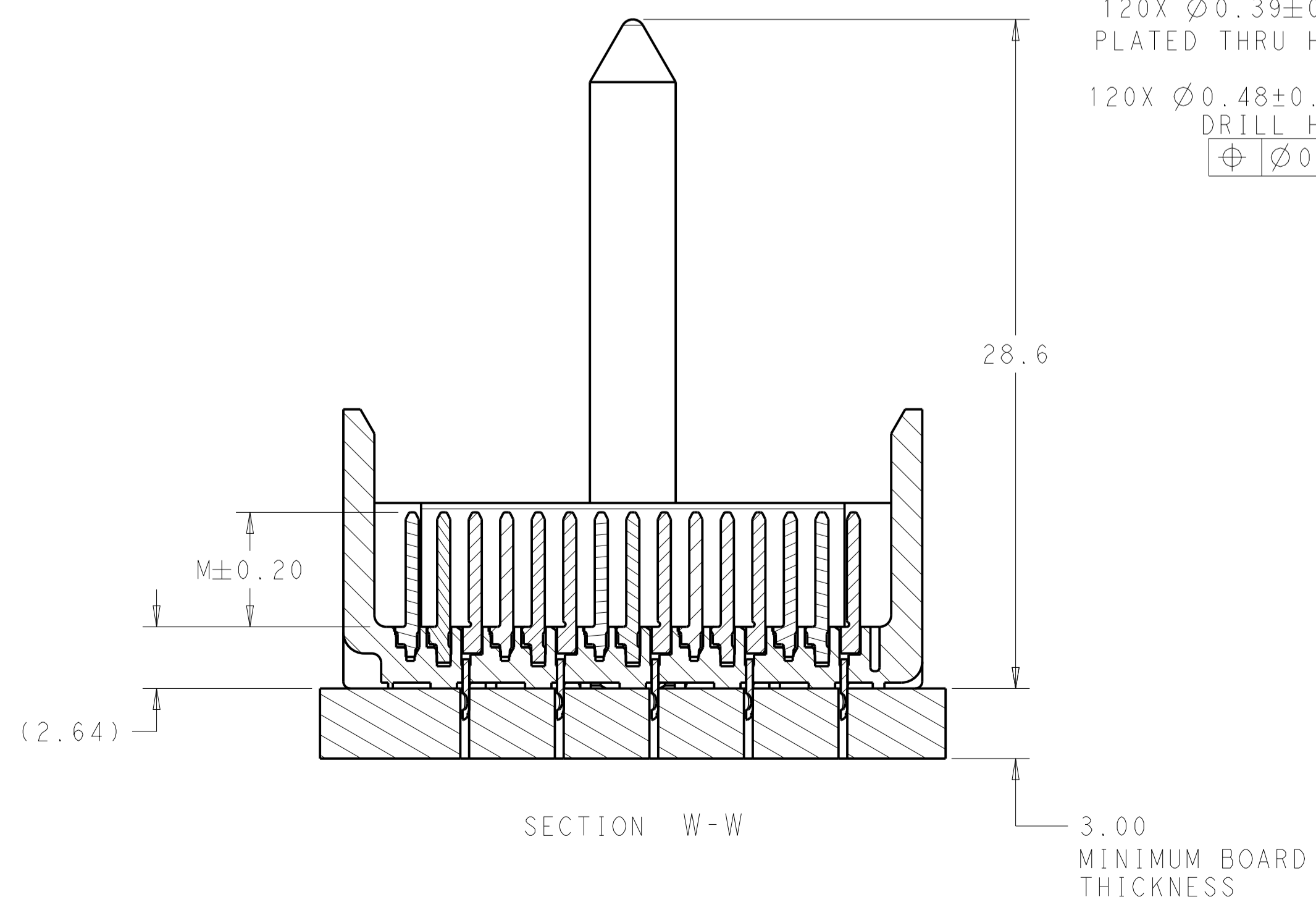
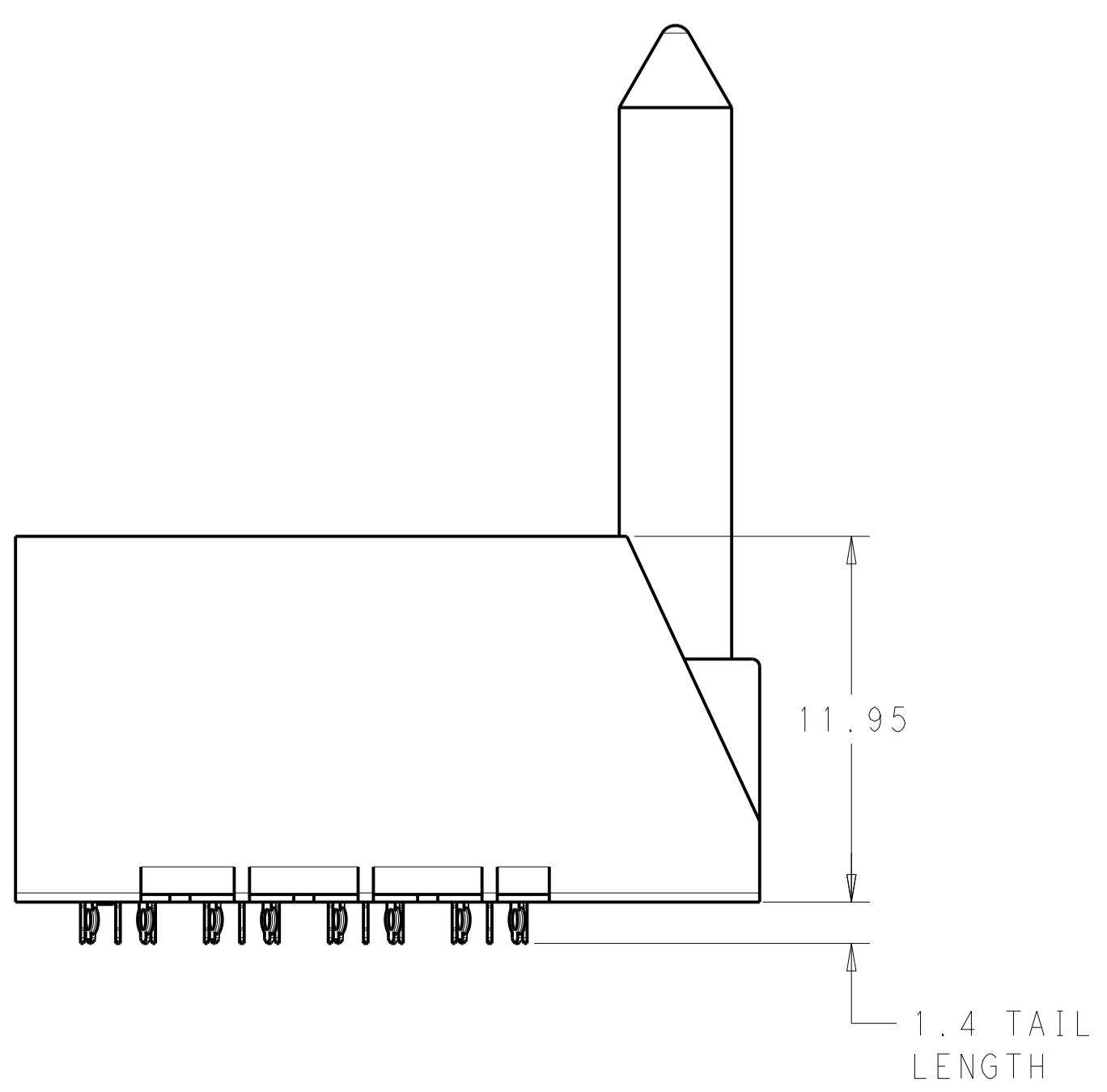
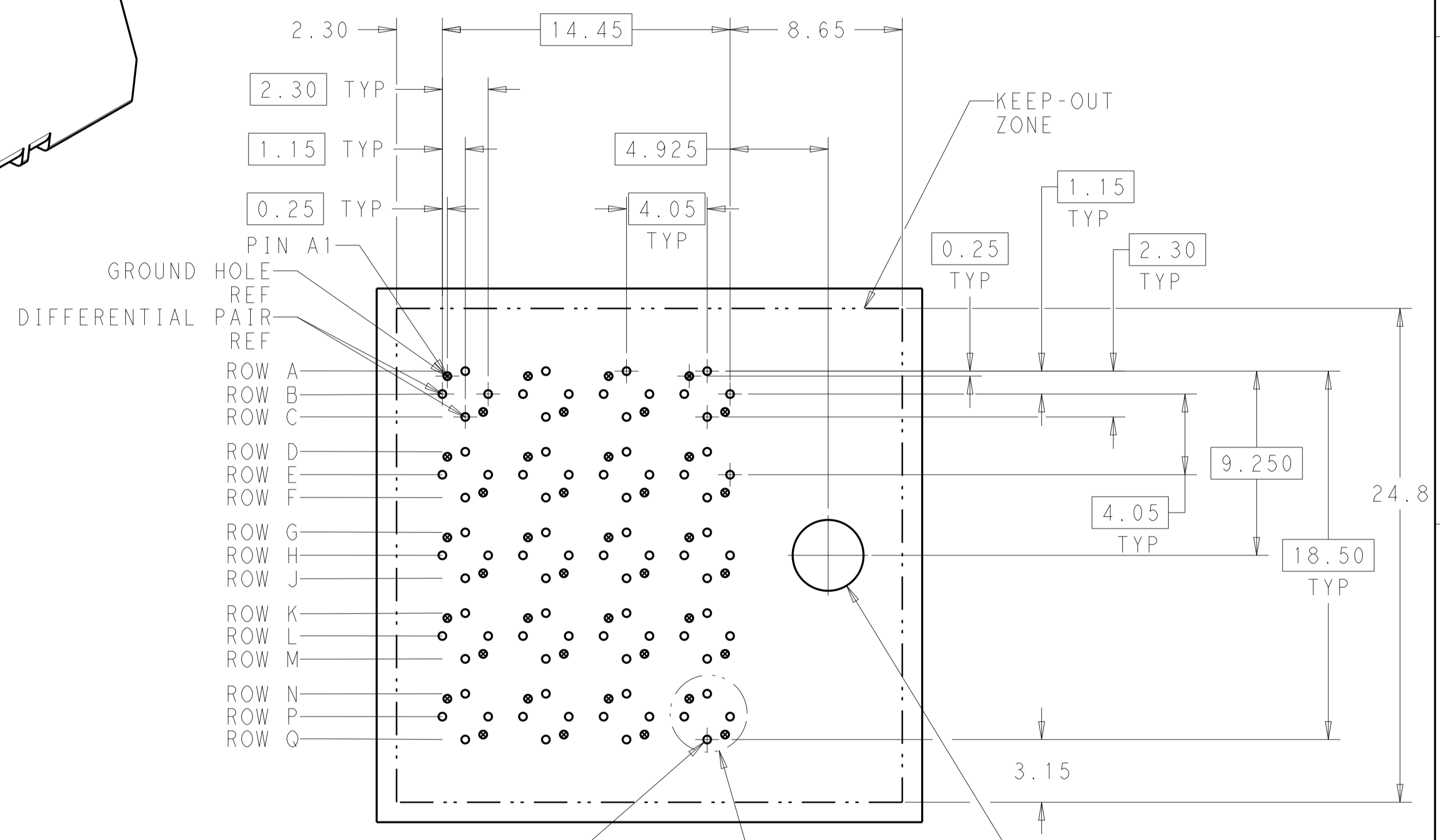
NOTCH DESIGNATES ROW A



- ⚠ MATERIAL:  
HOUSING: LCP, GLASS FILLED, UL94V-0.  
TERMINALS: HIGH PERFORMANCE COPPER ALLOY.
- ⚠ FINISH:  
30μ" MIN GOLD IN CONTACT AREA. SELECTIVE TIN ON PCB TAILS, NICKEL OVERALL.
- 3. SCREWS PACKAGED IN END OF PACKAGING TUBE.
- ⚠ FOR GROUNDED GUIDE PIN USE  $\varnothing 3.56 \pm 0.08$  PTH,  $\varnothing 3.66$  DRILL, AND  $\varnothing 6.5$  PAD.



DETAIL X  
SCALE 16:1



REFER TO WWW.TE.COM FOR PRODUCT AVAILABILITY

FINISH	5.5	2143548-2
DIM M	4.9	2143548-1
PART NUMBER		

THIS DRAWING IS A CONTROLLED DOCUMENT.		OWN: KIRAN HOLAL 11DEC2012	NAME: IMPACT, ORTHOGONAL, 5 PAIR, 8 COLUMN HEADER, RIGHT GUIDED, LEFT END WALL SIGNAL MODULE, 0.39 PTH
DIMENSIONS: mm		CHK: D. DIXON 11DEC2012	PRODUCT SPEC
TOLERANCES UNLESS OTHERWISE SPECIFIED:		APV: D. DIXON 11DEC2012	APPLICATION SPEC
0 PLC ±			SIZE: CAGE CODE: DRAWING NO: RESTRICTED TO
1 PLC ±0.25			A100779C=2143548
2 PLC ±0.13			SCALE: 5:1 SHEET 1 OF 1 REV B
3 PLC ±			
4 PLC ±			
ANGLES ±			
FINISH: SEE TABLE		WEIGHT: -	Customer Drawing