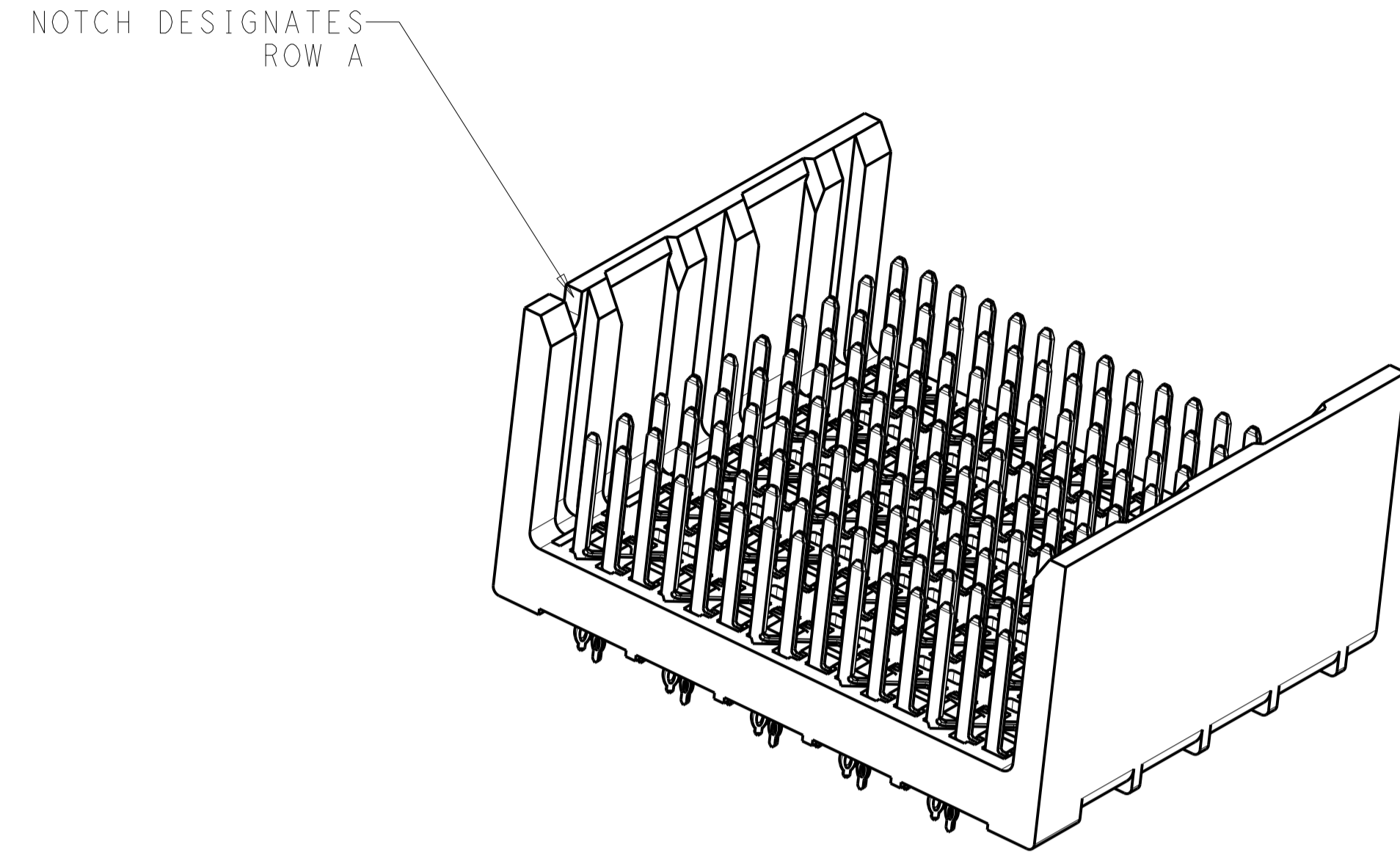
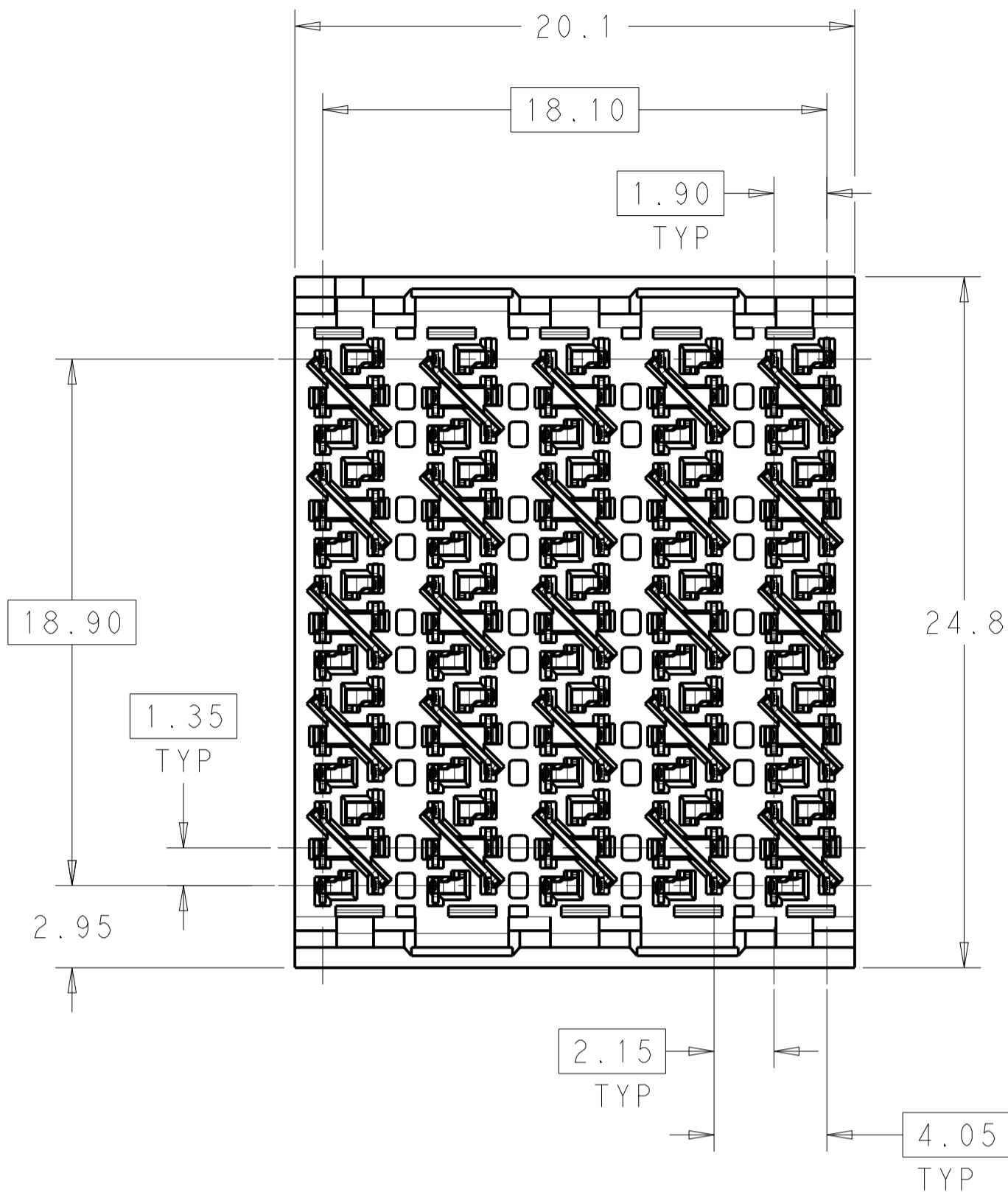
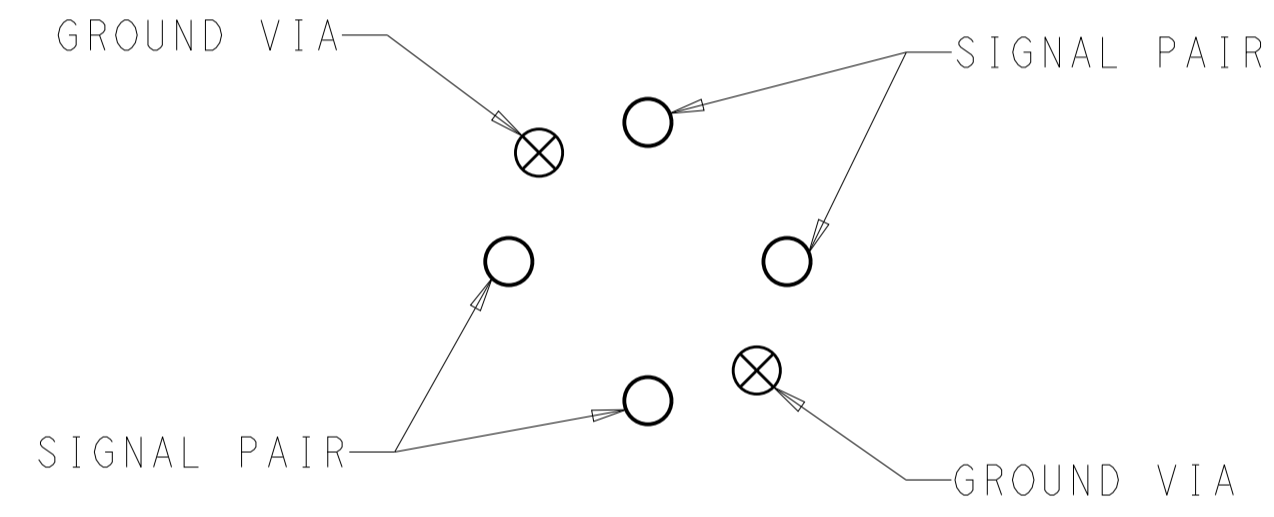


REVISIONS				
P.	LTN	DESCRIPTION	DATE	APV
B		REVISED PER ECO-14-013272	08SEP2014	AP DD

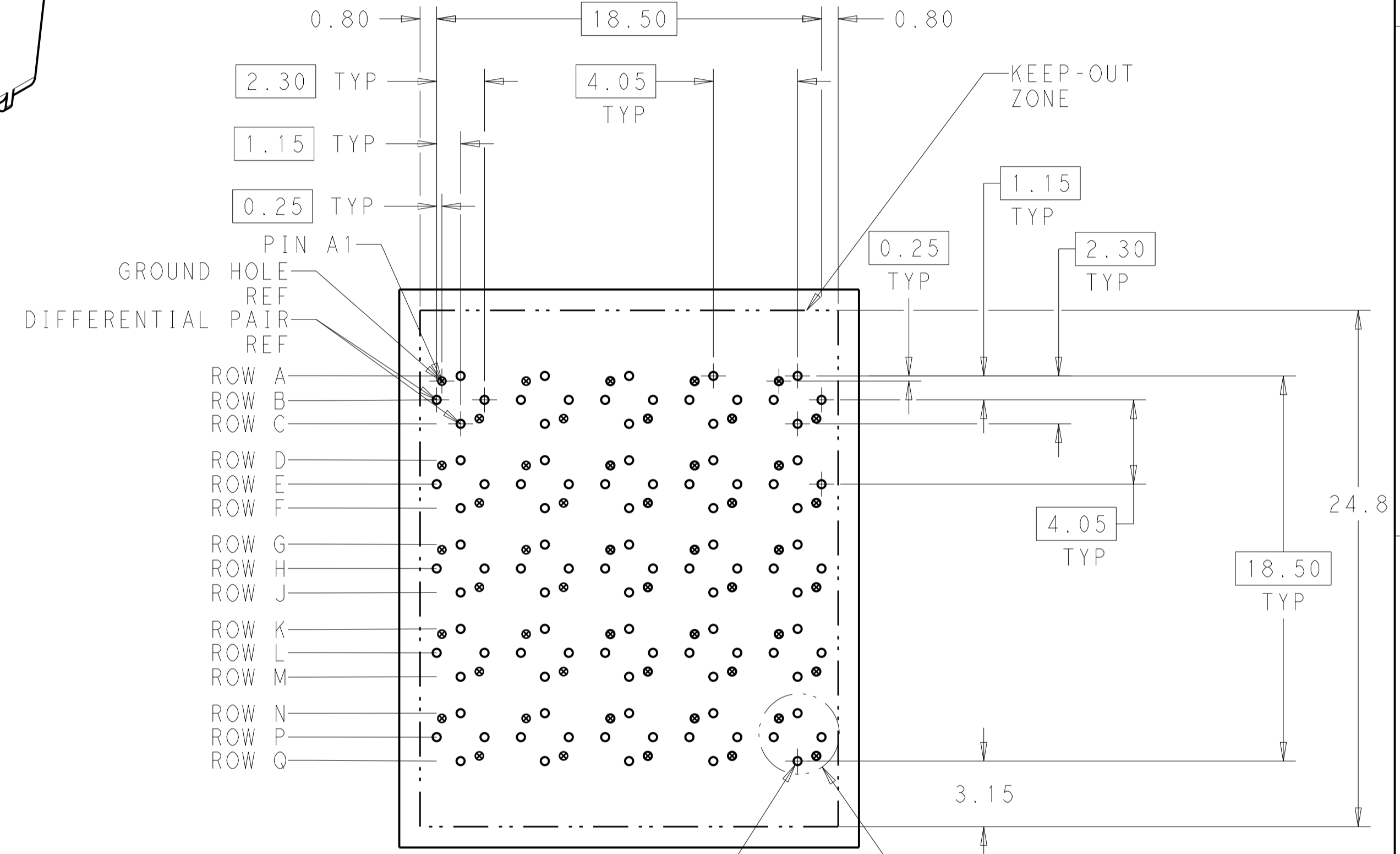


1 MATERIAL:
HOUSING: LCP, GLASS FILLED, UL94V-0.
TERMINALS: HIGH PERFORMANCE COPPER ALLOY.

2 FINISH:
30μ" MIN GOLD IN CONTACT AREA. SELECTIVE TIN
ON PCB TAILS, NICKEL OVERALL.



DETAIL X
SCALE 16:1

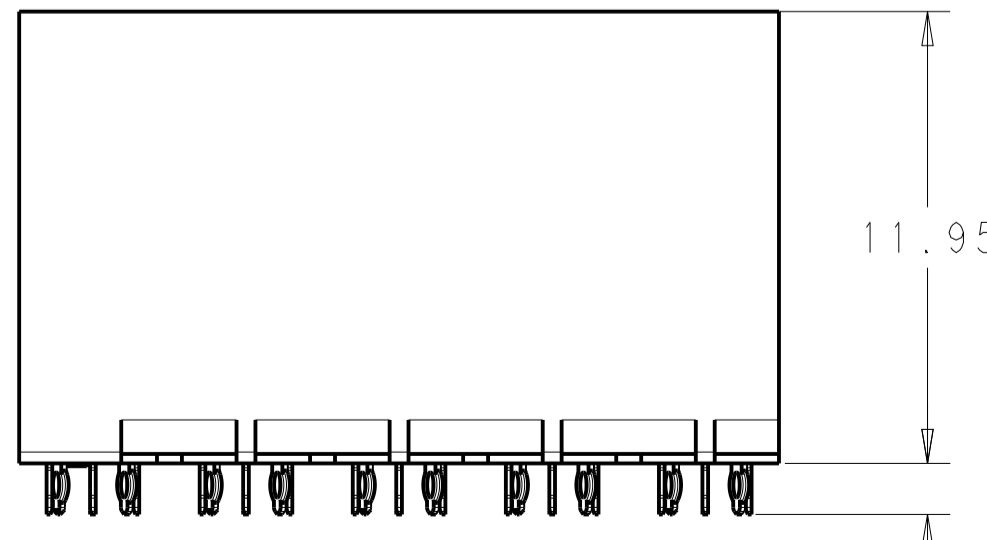


150X $\varnothing 0.39 \pm 0.08$
PLATED THRU HOLE

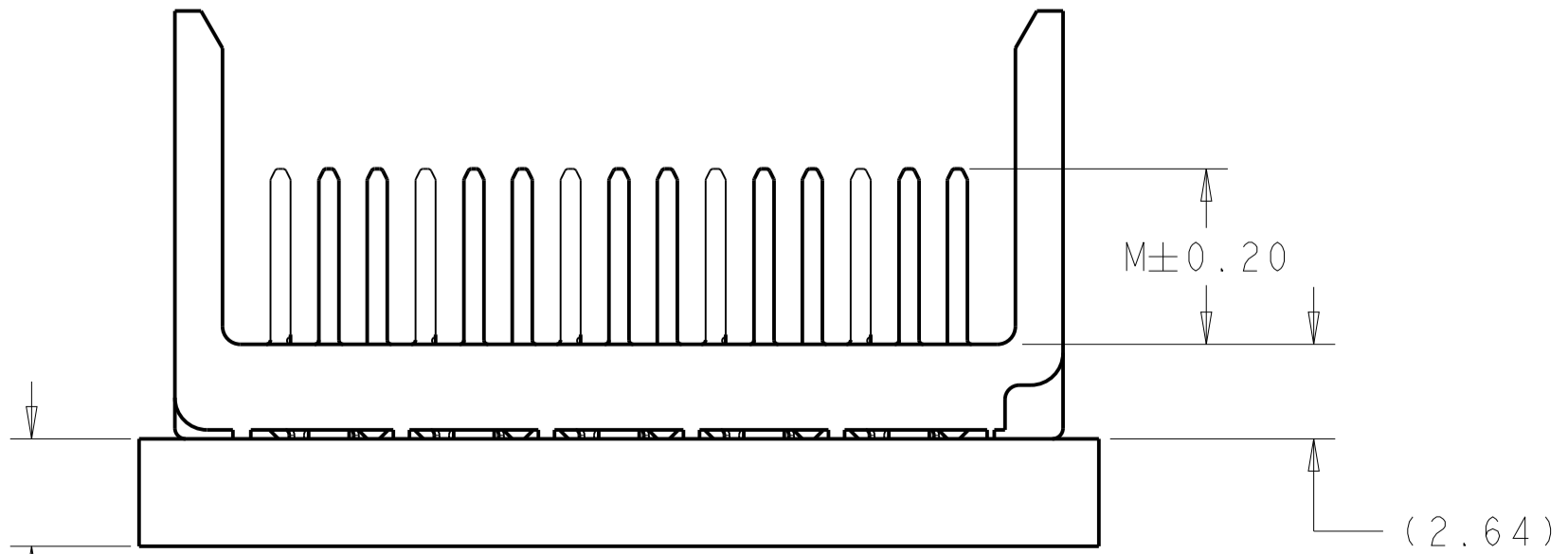
150X $\varnothing 0.48 \pm 0.013$
DRILL HOLE
 $\varnothing 0.10$

UNGUIDED
BACKPLANE HOLE PATTERN
(CONNECTOR SIDE)

REFER TO WWW.TE.COM
FOR PRODUCT AVAILABILITY



1.4 TAIL
LENGTH



3.00
MINIMUM BOARD
THICKNESS

2	5.5	2143561-2
2	4.9	2143561-1
FINISH	DIM M	PART NUMBER

THIS DRAWING IS A CONTROLLED DOCUMENT.		OWN: HIRAN HOLLA 29NOV2012	NAME: IMPACT, ORTHOGONAL, 5 PAIR, 10 COLUMN HEADER, UNGUIDED, OPEN END WALL SIGNAL MODULE, 0.39 PTH
DIMENSIONS:	TOLERANCES UNLESS OTHERWISE SPECIFIED:	CHK: D. DIXON 29NOV2012	PRODUCT SPEC
mm	0 PLC ± 1 PLC ±0.25 2 PLC ±0.13 3 PLC ± 4 PLC ± ANGLES ±	APV: D. DIXON 29NOV2012	APPLICATION SPEC
MATERIAL	FINISH	WEIGHT	SIZE: CAGE CODE: DRAWING NO: RESTRICTED TO
	SEE TABLE		A100779C=2143561
Customer Drawing		SCALE: 5:1	SHEET 1 OF 1 REV B