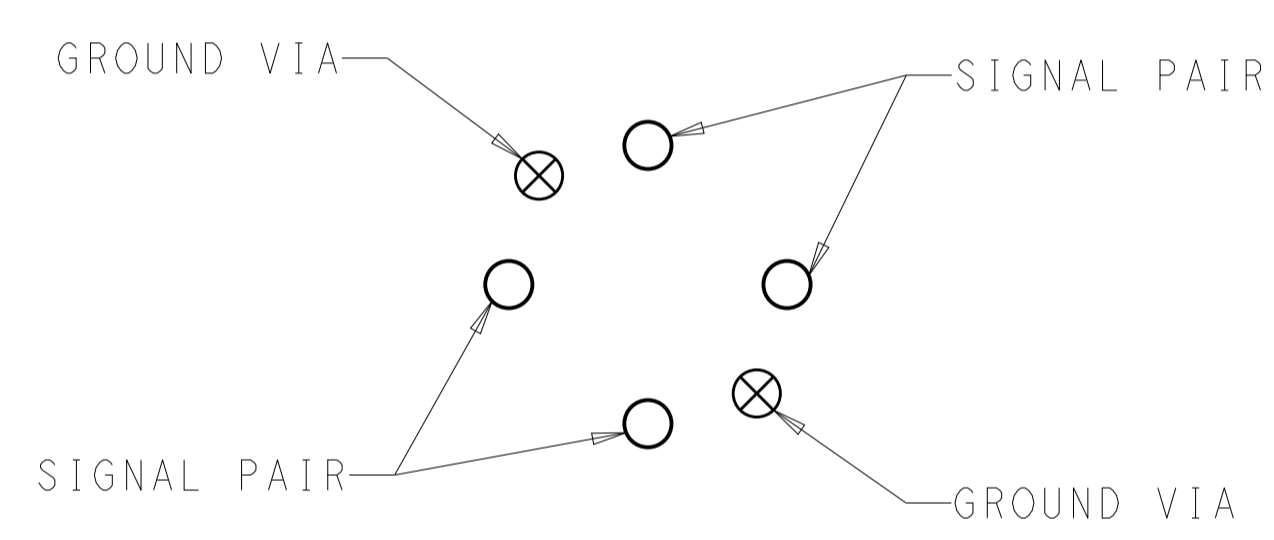
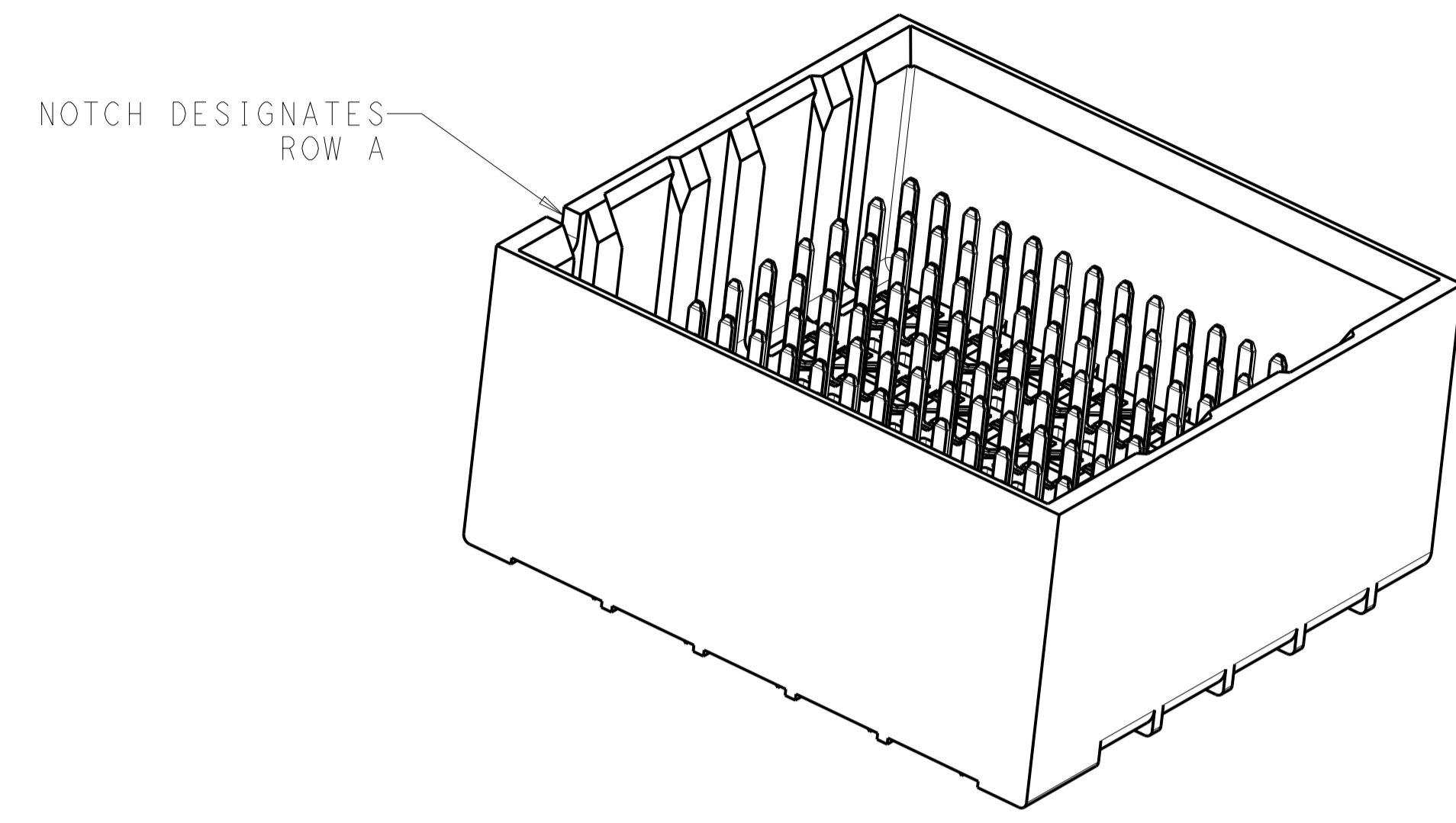
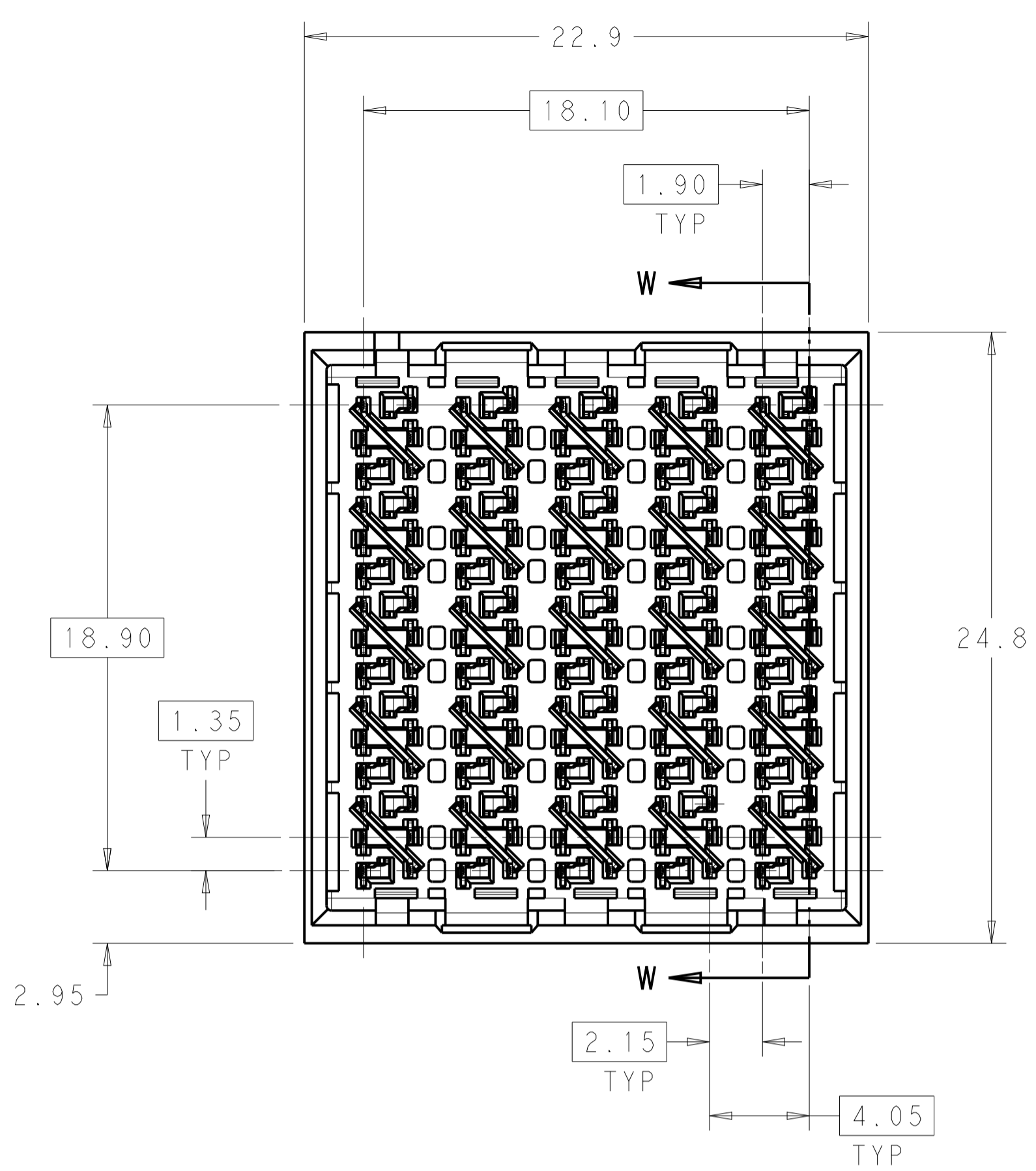
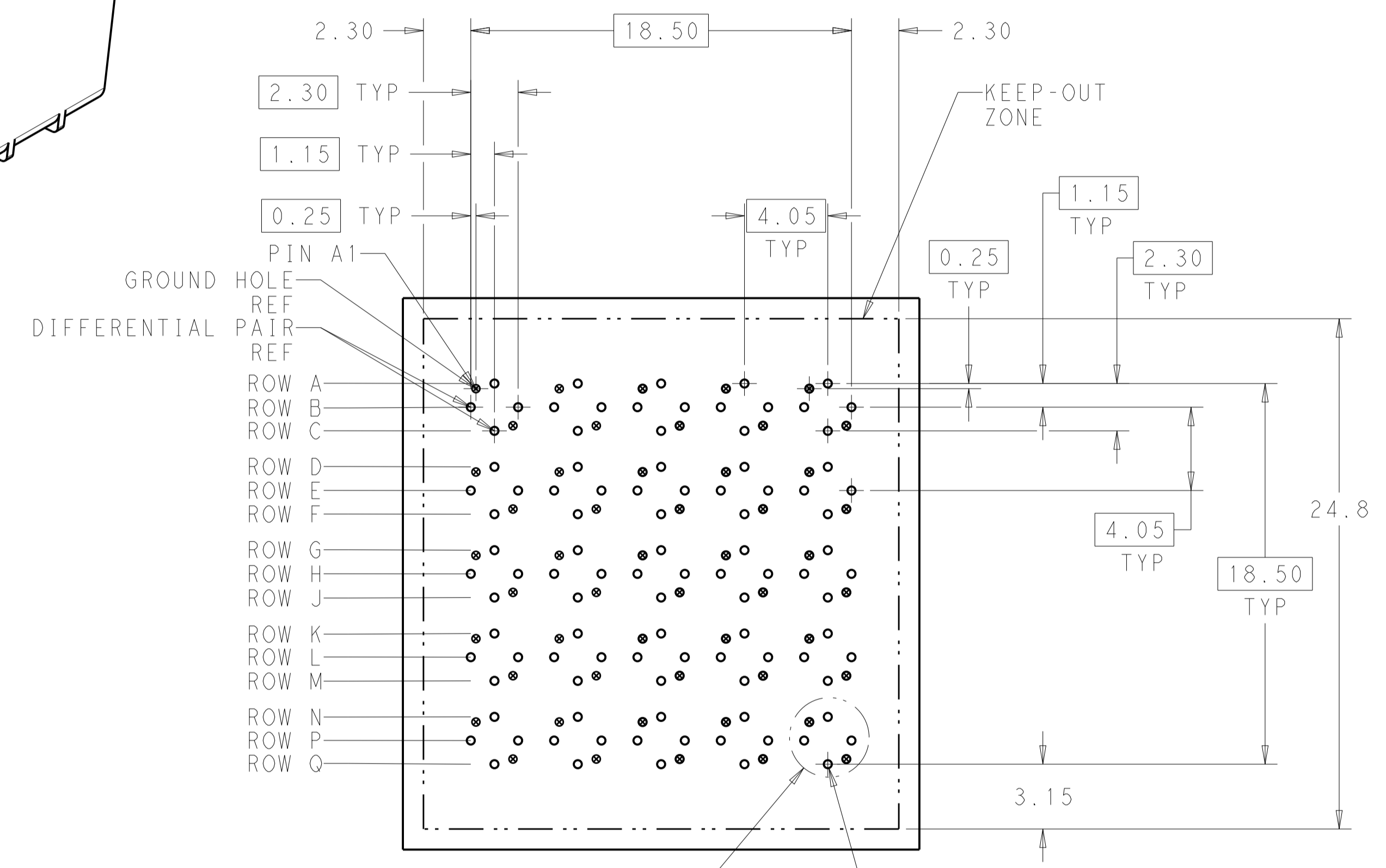


REVISIONS				
P.	LTM	DESCRIPTION	DATE	DWN APVD
B		REVISED PER ECO-14-013272	08SEP2014	AP DD



DETAIL X
SCALE 16:1

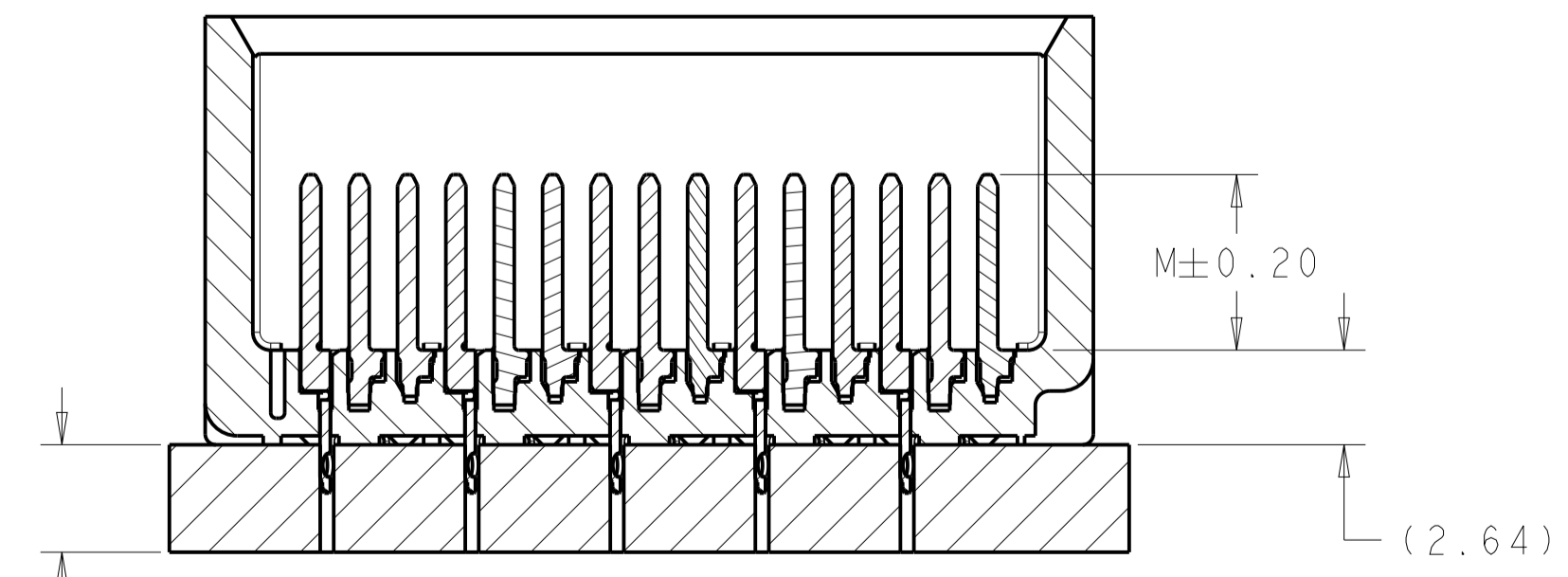
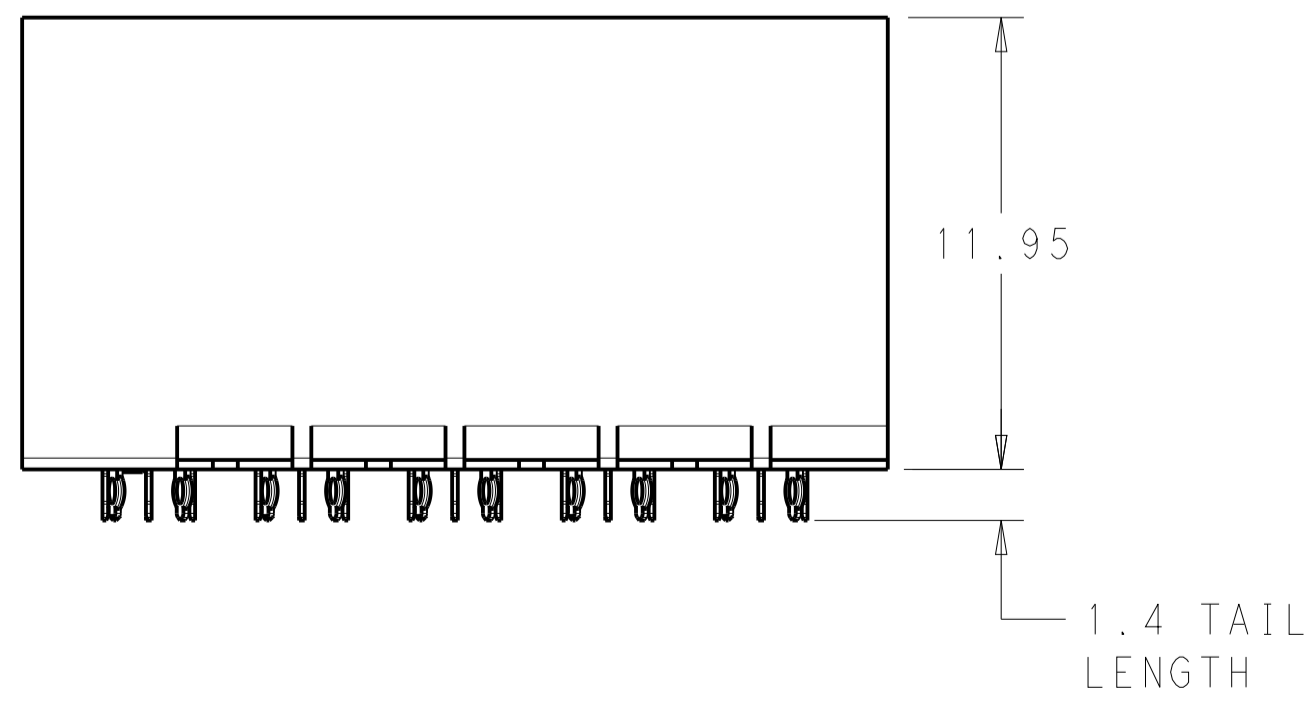
- 1 MATERIAL:
HOUSING: LCP, GLASS FILLED, UL94V-0.
TERMINALS: HIGH PERFORMANCE COPPER ALLOY.
- 2 FINISH:
30μ" MIN GOLD IN CONTACT AREA. SELECTIVE TIN ON PCB TAILS, NICKEL OVERALL.



SEE DETAIL X
150X Ø0.39±0.08
Ø0.10
PLATED THRU HOLE

UNGUIDED
BACKPLANE HOLE PATTERN
(CONNECTOR SIDE)

REFER TO WWW.TE.COM
FOR PRODUCT AVAILABILITY



3.00
MINIMUM BOARD
THICKNESS
SECTION W-W

FINISH	5.5	2143562-2
DIM M	4.9	2143562-1
PART NUMBER		

THIS DRAWING IS A CONTROLLED DOCUMENT.		DWN B.CARBO 21DEC2011	
DIMENSIONS: mm		CHK D.YI 21DEC2011	
TOLERANCES UNLESS OTHERWISE SPECIFIED:		APVD D.YI 21DEC2011	NAME
0 PLC	±	PRODUCT SPEC	IMPACT, ORTHOGONAL, 5 PAIR, 10 COLUMN
2 PLC	±0.25	APPLICATION SPEC	HEADER, UNGUIDED, DUAL END WALL
3 PLC	±0.13	SIZE	SIGNAL MODULE, 0.39 PTH
4 PLC	±	WEIGHT	
ANGLES	±	CUSTOMER DRAWING	
MATERIAL	SEE TABLE	SCALE	5:1
		SHEET	1 OF 1
		REV	B