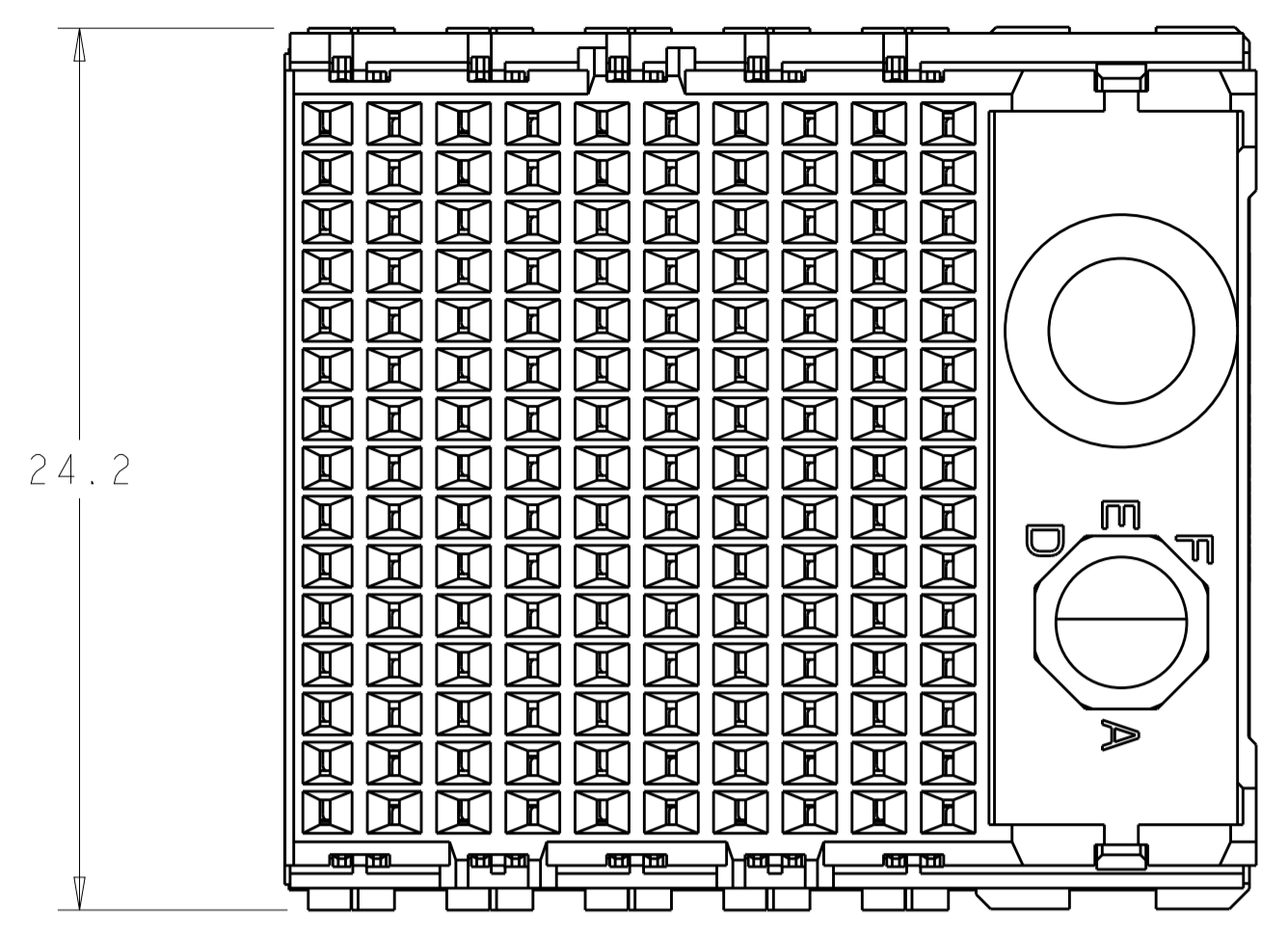
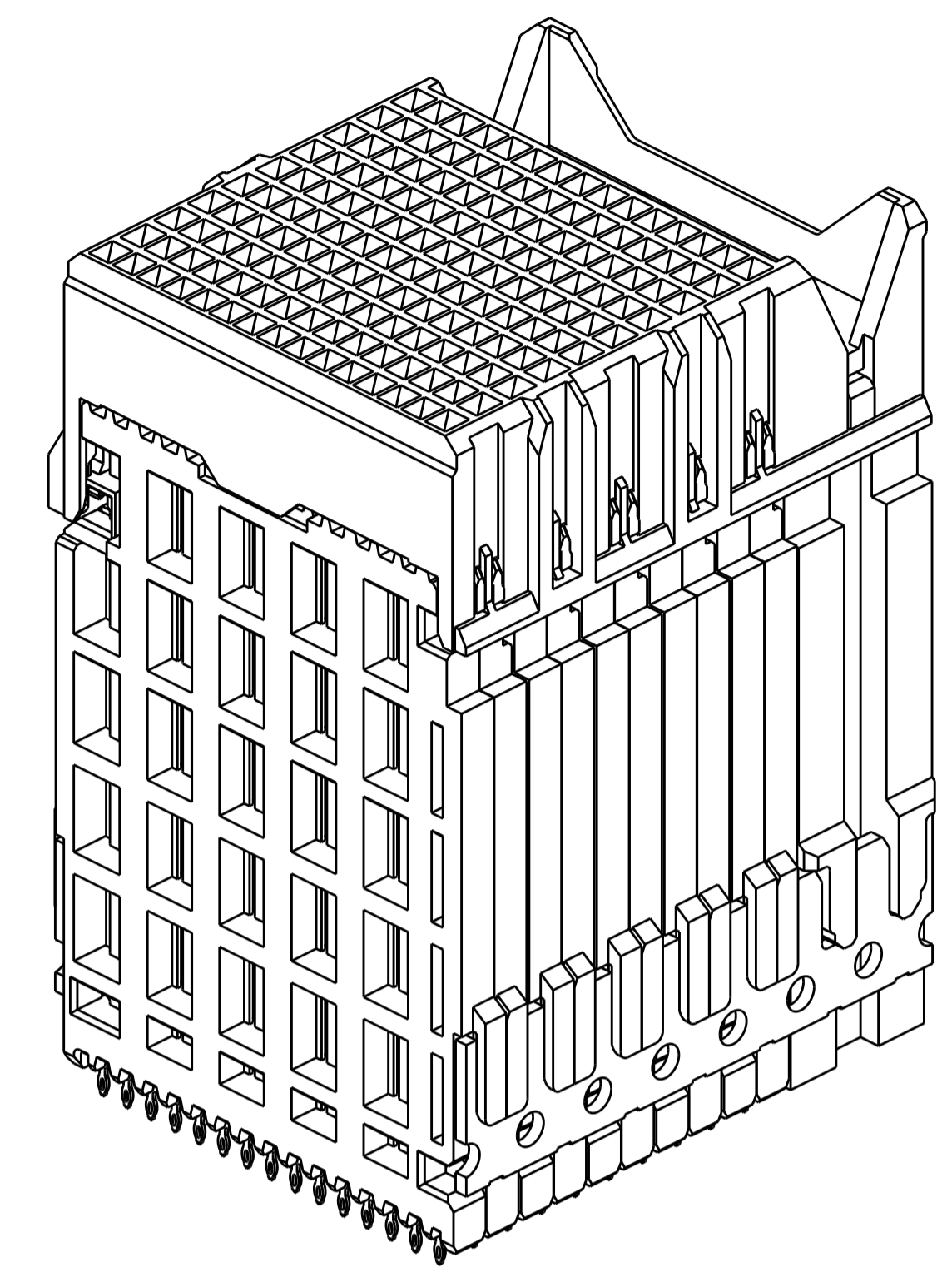


LOC		DIST		REVISIONS			
AD	00	P	LTN	DESCRIPTION	DATE	DWN	APVD
		A		REVISED PER ECO-13-009970	09JUL2013	KH	DD

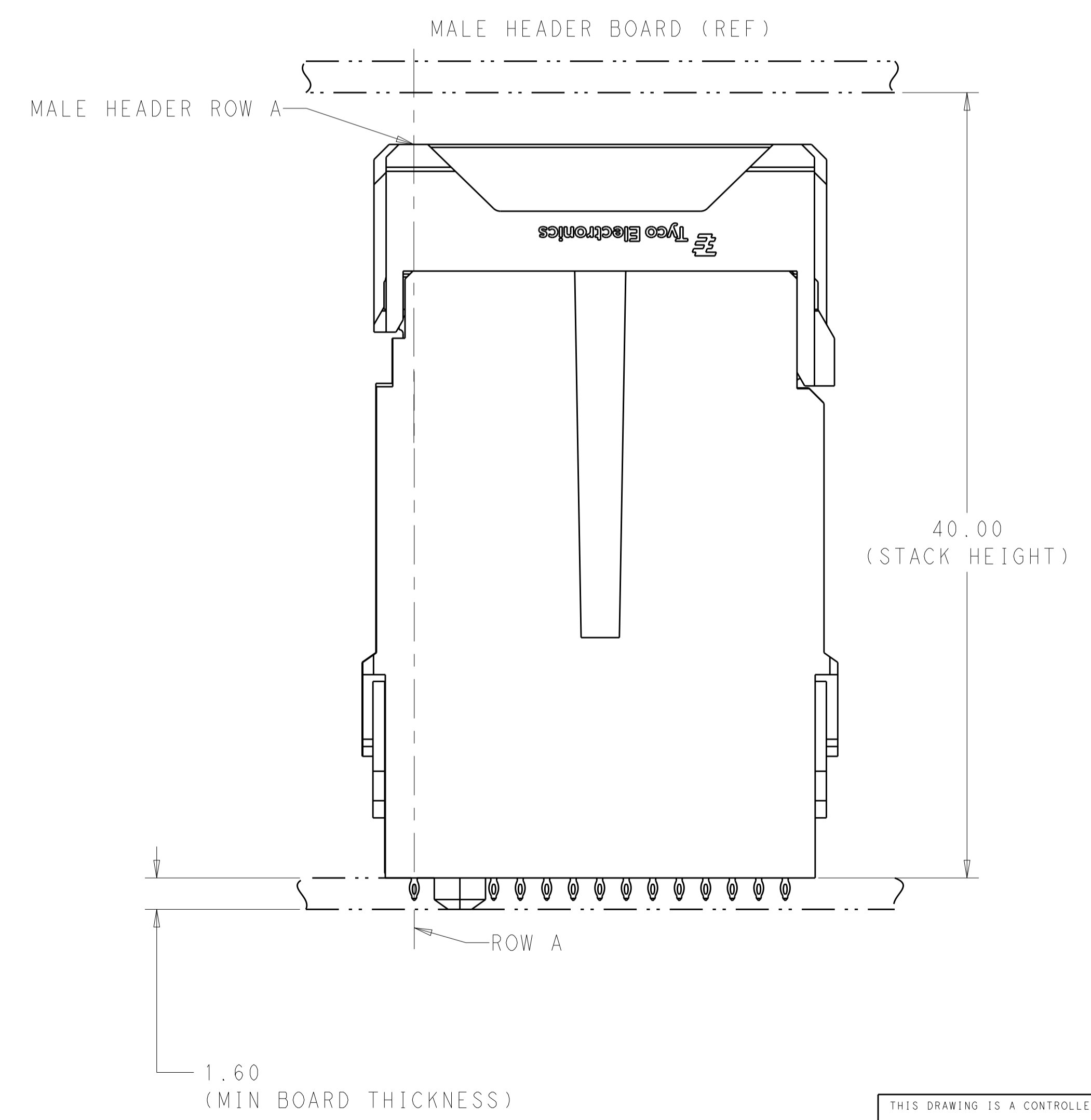
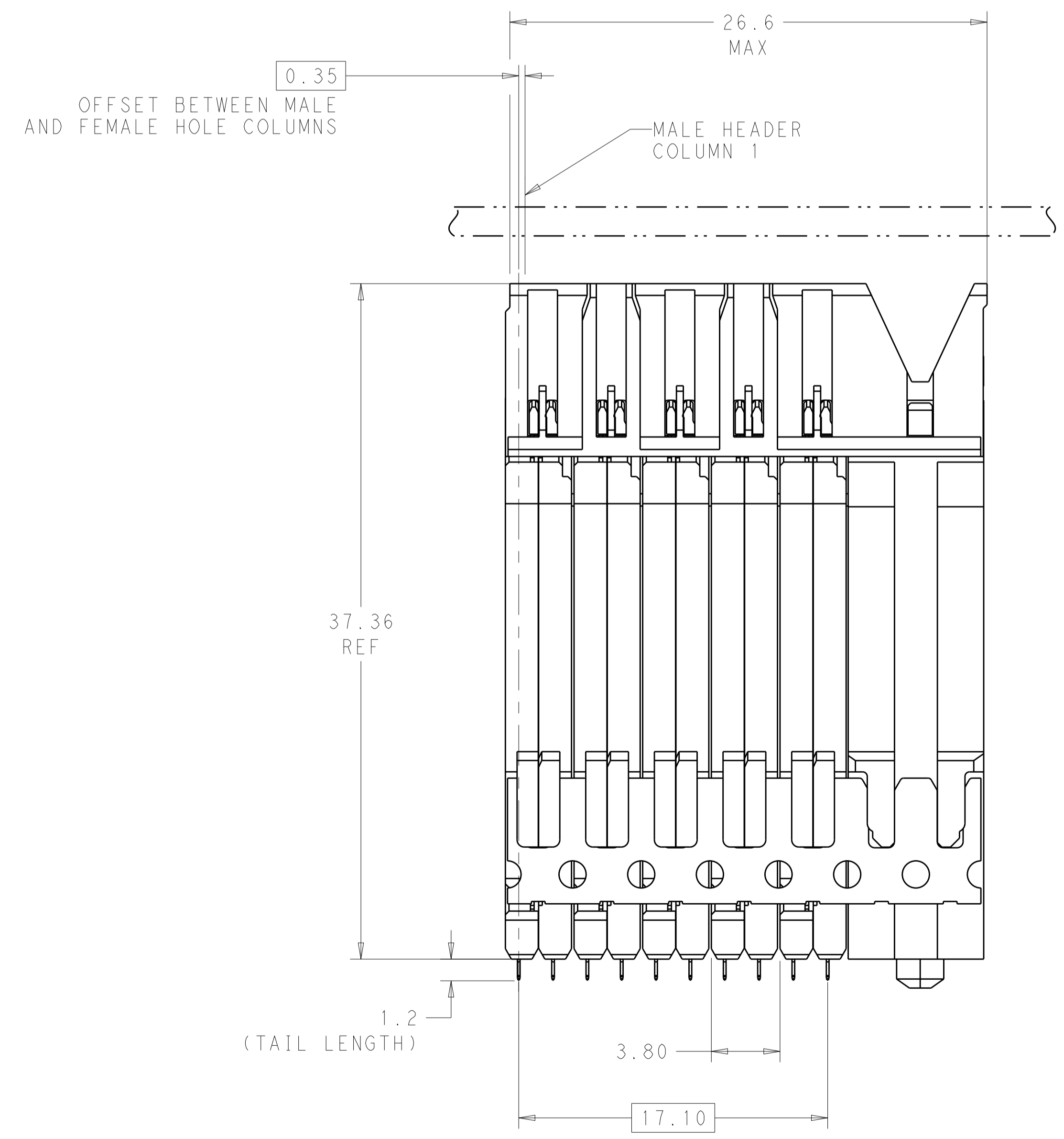


- 1 MATERIAL:
HOUSING: LCP, GLASS FILLED, UL94V-0.
TERMINALS: HIGH PERFORMANCE COPPER ALLOY.
- 2 FINISH:
30µ" SELECTIVE GOLD IN CONTACT AREA. SELECTIVE TIN
ON PCB TAILS, NICKEL OVERALL.
- 3 FINISH:
30µ" SELECTIVE GOLD IN CONTACT AREA. SELECTIVE TIN-LEAD
ON PCB TAILS, NICKEL OVERALL.
- 4. CONNECTORS SUPPLIED WITH MOUNTING SCREW.



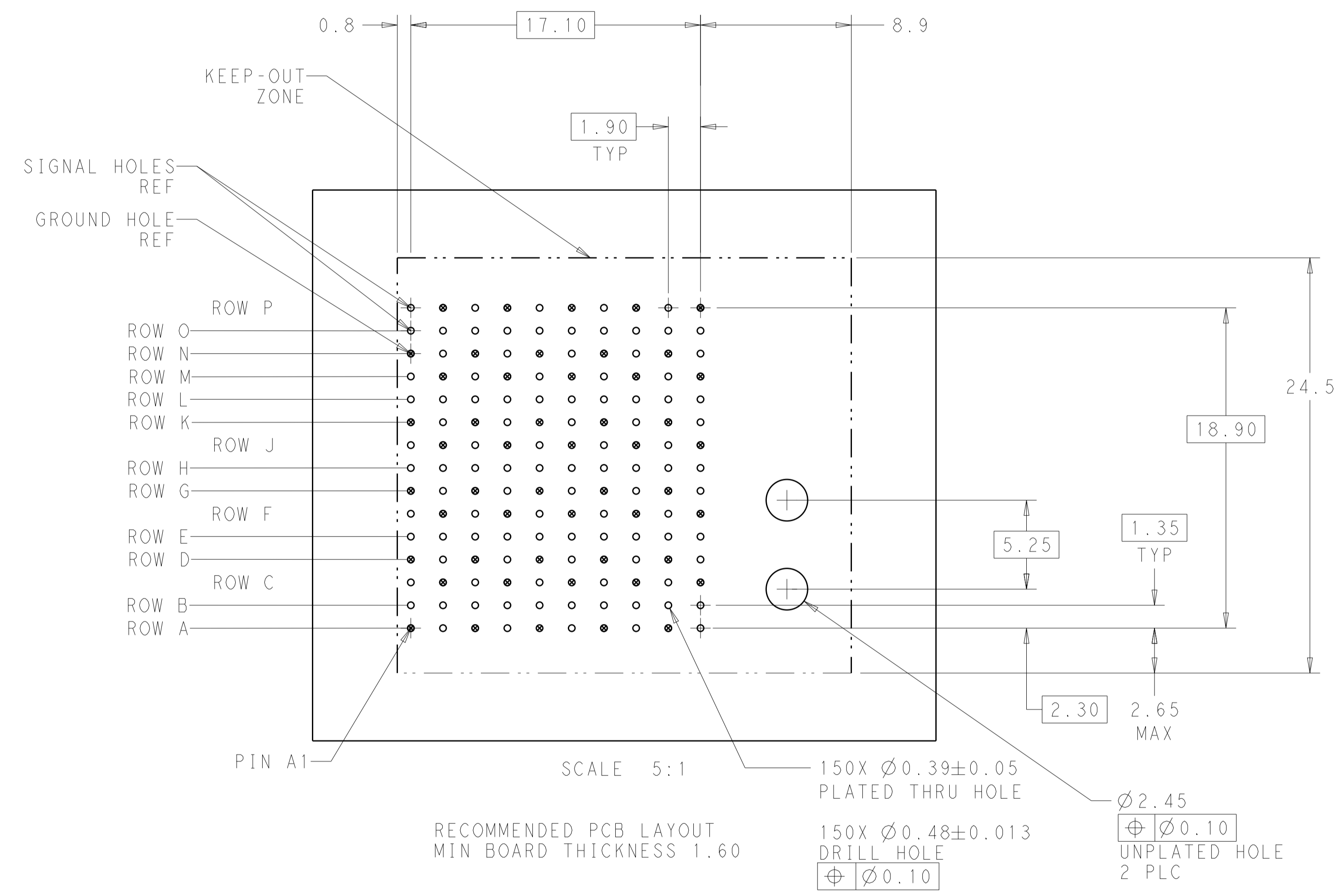
SCALE 4:1

REFER TO WWW.TE.COM
FOR PRODUCT AVAILABILITY



THIS DRAWING IS A CONTROLLED DOCUMENT.		DWN J. K. SHOBER 25JAN2012	TE Connectivity NAME IMPACT, 5 PAIR, DAUGHTERCARD, 40mm 10 COLUMN, RIGHT GUIDED, SIGNAL MODULE, 0.39 EYELET
DIMENSIONS: mm		CHK D. DIXON 25JAN2012	
TOLERANCES UNLESS OTHERWISE SPECIFIED:		APVD D. DIXON 25JAN2012	PRODUCT SPEC
0 PLC ± 1 PLC ±0.25 2 PLC ±0.10 3 PLC ± 4 PLC ± ANGLES ±1/2°		APPLICATION SPEC	RESTRICTED TO
MATERIAL SEE TABLE		WEIGHT	SIZE CAGE CODE DRAWING NO A100779C=2149912
FINISH		Customer Drawing	SCALE 5:1 SHEET 1 OF 2 REV A

LOC	DIST	REVISIONS			
P	LTN	DESCRIPTION	DATE	DMN	APVD
-	-	SEE SHEET 1	-	-	-



KEY POSITION CHART	
	NONE
	A
	B
	C
	D
	E
	F
	G
	H

H	△3	8-2149912-5
G	△3	7-2149912-5
F	△3	6-2149912-5
E	△3	5-2149912-5
D	△3	4-2149912-5
C	△3	3-2149912-5
B	△3	2-2149912-5
A	△3	1-2149912-5
NONE	△3	2149912-5
H	△2	8-2149912-1
G	△2	7-2149912-1
F	△2	6-2149912-1
E	△2	5-2149912-1
D	△2	4-2149912-1
C	△2	3-2149912-1
B	△2	2-2149912-1
A	△2	1-2149912-1
NONE	△2	2149912-1
KEY POSITION	FINISH	PART NUMBER

SCALE 5:1

RECOMMENDED PCB LAYOUT
MIN BOARD THICKNESS 1.60

150X $\varnothing 0.39 \pm 0.05$
PLATED THRU HOLE

150X $\varnothing 0.48 \pm 0.013$
DRILL HOLE
 $\varnothing 0.10$

$\varnothing 2.45$
 $\varnothing 0.10$
UNPLATED HOLE
2 PLC

THIS DRAWING IS A CONTROLLED DOCUMENT.

DMN: J. K. SHOBER 25JAN2012
 CHK: D. DIXON 25JAN2012
 APVD: D. DIXON 25JAN2012

STE TE Connectivity

NAME: IMPACT, 5 PAIR, DAUGHTERCARD, 40mm
 10 COLUMN, RIGHT GUIDED, SIGNAL
 MODULE, 0.39 EYELET

SIZE: A1 CAGE CODE: 2149912 DRAWING NO: 100779

MATERIAL: - FINISH: SEE TABLE WEIGHT: - SCALE: 5:1 SHEET 2 OF 2 REV A

Customer Drawing