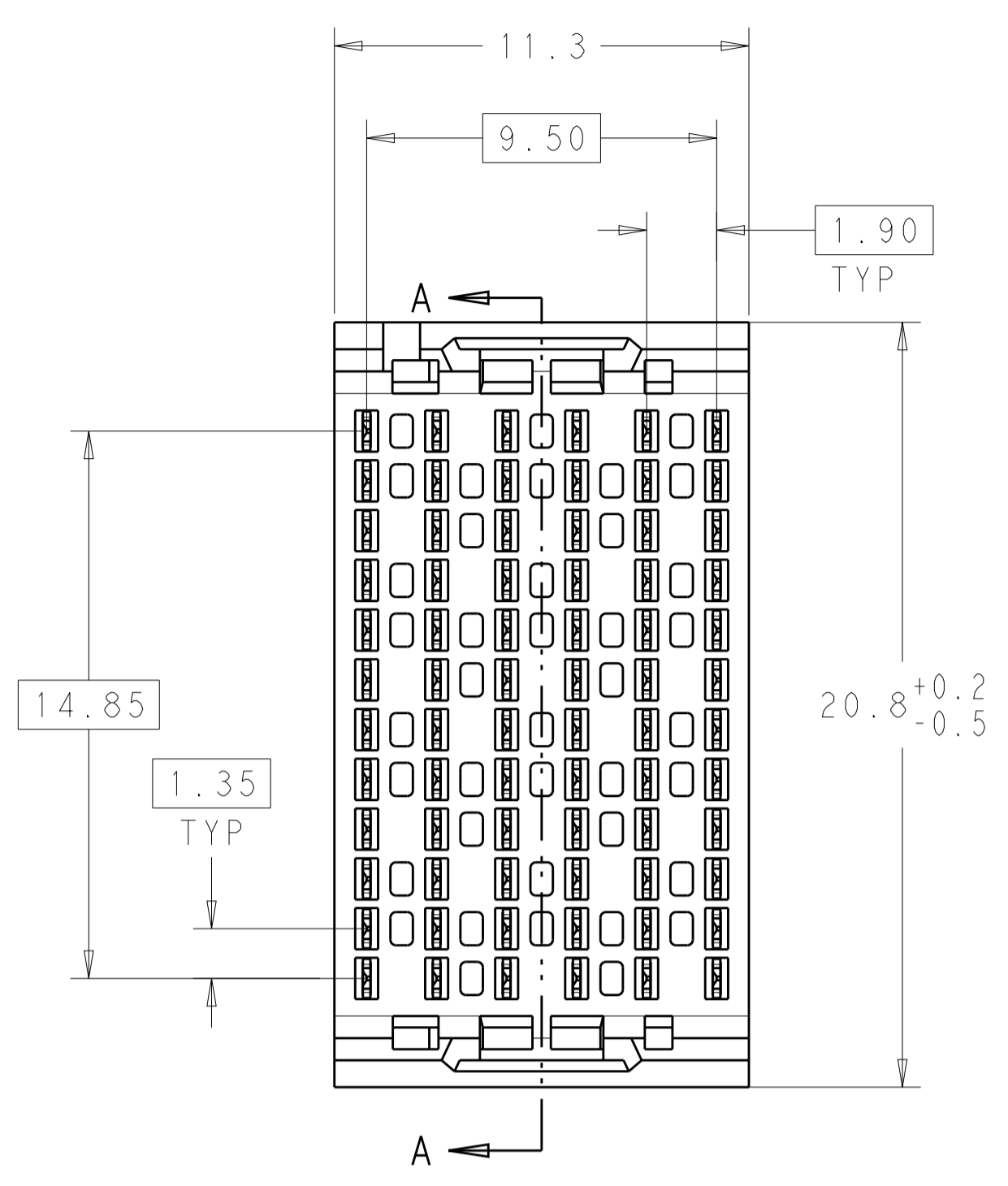
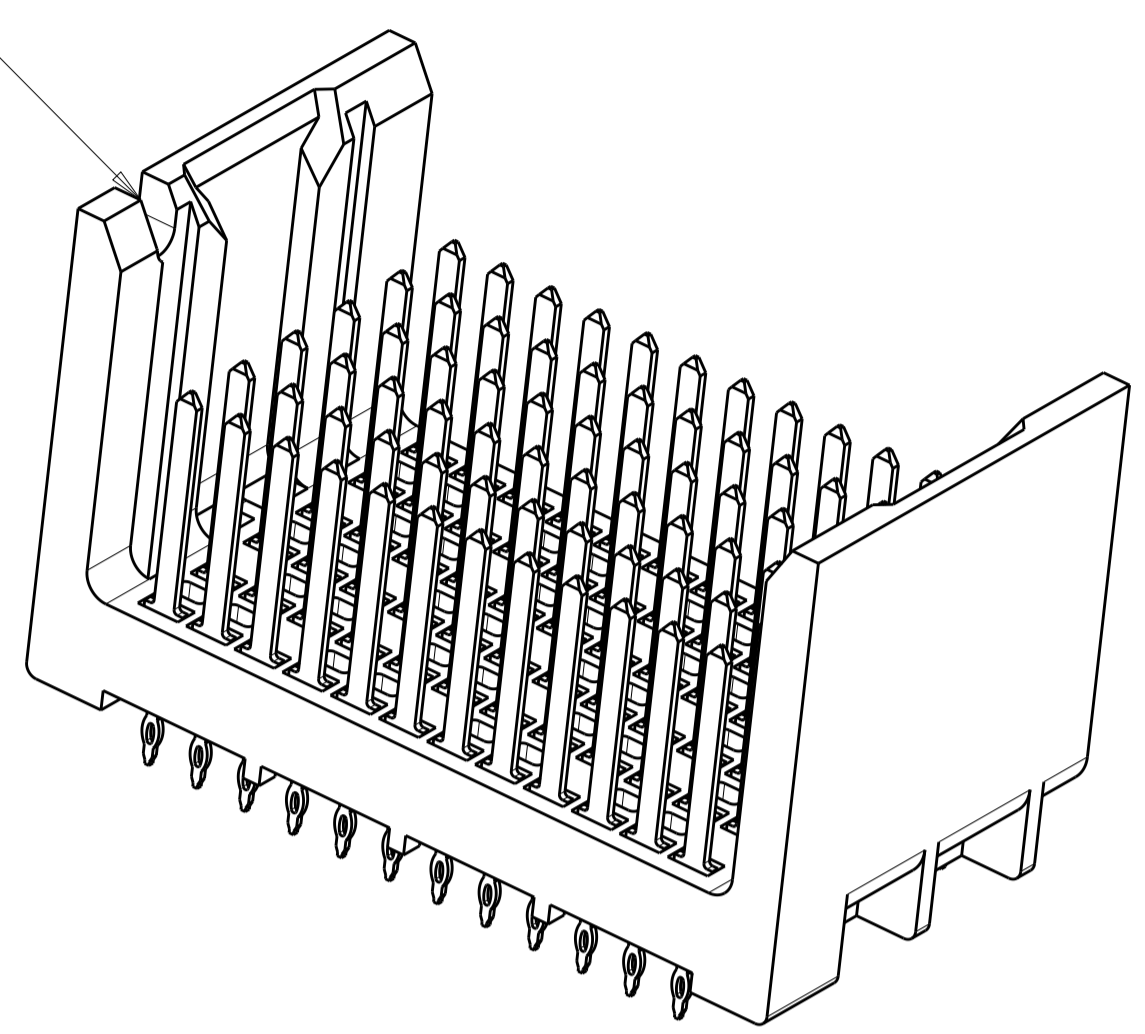


LOC		DIST		REVISIONS			
AD	00	P	LTN	DESCRIPTION	DATE	DWN	APVD
		B1		REVISED PER ECO-15-001494	06FEB2015	AP	DD

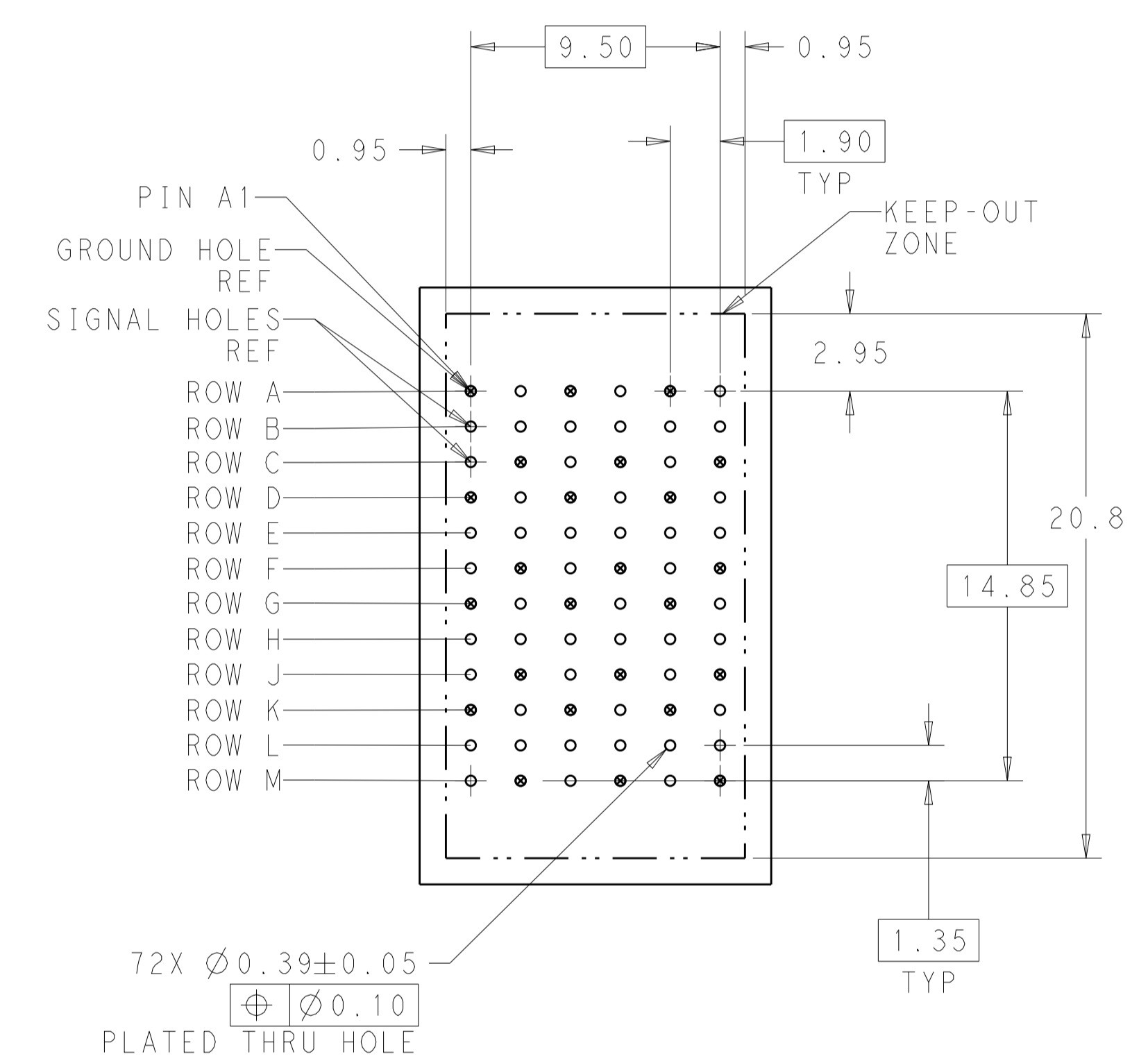


NOTCH DESIGNATES ROW A

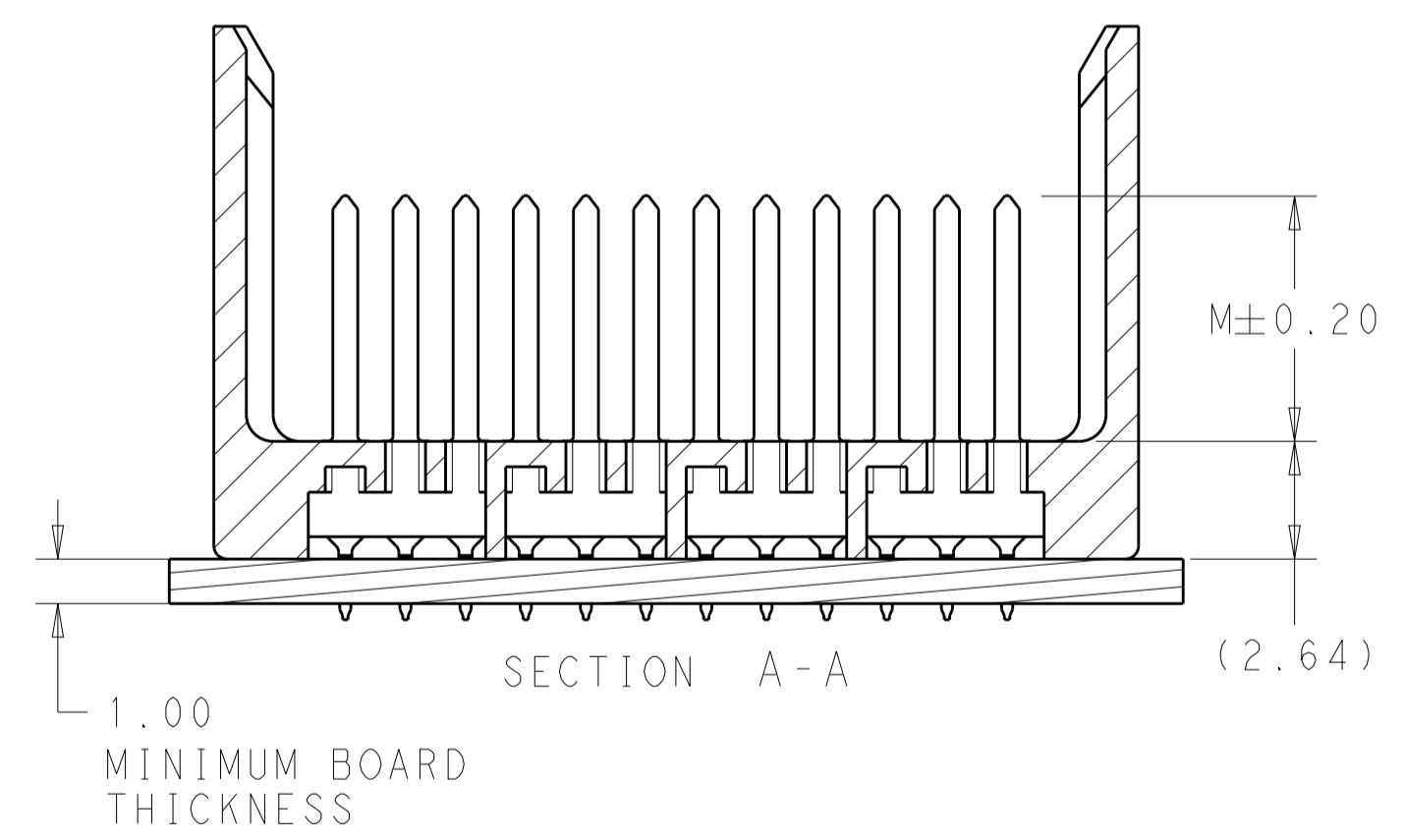
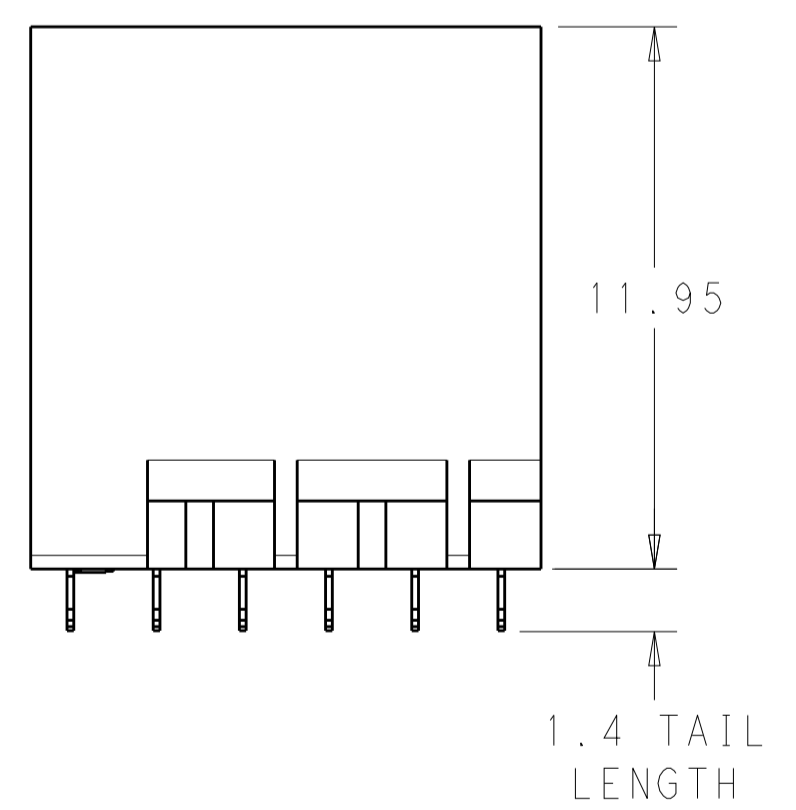


⚠ MATERIAL:
 HOUSING: LCP, GLASS FILLED, UL94V-0.
 TERMINALS: HIGH PERFORMANCE COPPER ALLOY.

⚠ FINISH:
 30μ" MIN GOLD IN CONTACT AREA. SELECTIVE TIN ON PCB TAILS, NICKEL OVERALL.



UNGUIDED BACKPLANE HOLE PATTERN (CONNECTOR SIDE)



THIS DRAWING IS A CONTROLLED DOCUMENT.		DWN R. GRZYBOWSKI 26APR2011	TE Connectivity
DIMENSIONS: mm		CHK J. EARY 26APR2011	
TOLERANCES UNLESS OTHERWISE SPECIFIED:		APVD J. EARY 26APR2011	NAME IMPACT, 4 PAIR, 6 COLUMN, HEADER
0 PLC ±	1 PLC ±0.25	PRODUCT SPEC	UNGUIDED, OPEN END WALL
2 PLC ±0.13	3 PLC ±	APPLICATION SPEC	SIGNAL MODULE, 0.39 PTH
4 PLC ±	ANGLES ±	SIZE CAGE CODE DRAWING NO	A100779C=2149974
MATERIAL	FINISH SEE TABLE	WEIGHT	RESTRICTED TO
CUSTOMER DRAWING		SCALE 6:1	SHEET 1 OF 2 REV B1

THIS DRAWING IS UNPUBLISHED.	RELEASED FOR PUBLICATION	20
© COPYRIGHT 20	ALL RIGHTS RESERVED.	

LOC	DIST	REVISIONS					
		P	LTN	DESCRIPTION	DATE	DMN	APVD
AD	00	-	-	SEE SHEET 1	-	-	-

	5.5	2149974-3
	4.9	2149974-2
	4.5	2149974-1
FINISH	DIM M	PART NUMBER

REFER TO WWW.TE.COM
FOR PRODUCT AVAILABILITY

THIS DRAWING IS A CONTROLLED DOCUMENT.		DMN R. GRZYBOWSKI 26APR2011	
		CHK J. EARY 26APR2011	
DIMENSIONS:		APVD J. EARY 26APR2011	NAME IMPACT, 4 PAIR, 6 COLUMN, HEADER UNGUIDED, OPEN END WALL SIGNAL MODULE, 0.39 PTH
mm		PRODUCT SPEC	
TOLERANCES UNLESS OTHERWISE SPECIFIED:		APPLICATION SPEC	SIZE A100779
0 PLC ±		WEIGHT	CAGE CODE C=2149974
1 PLC ±0.25		CUSTOMER DRAWING	RESTRICTED TO
2 PLC ±0.13		SCALE 5:1	SHEET 2
3 PLC ±		OF 2	REV B1
4 PLC ±			
ANGLES ±			
FINISH SEE TABLE			