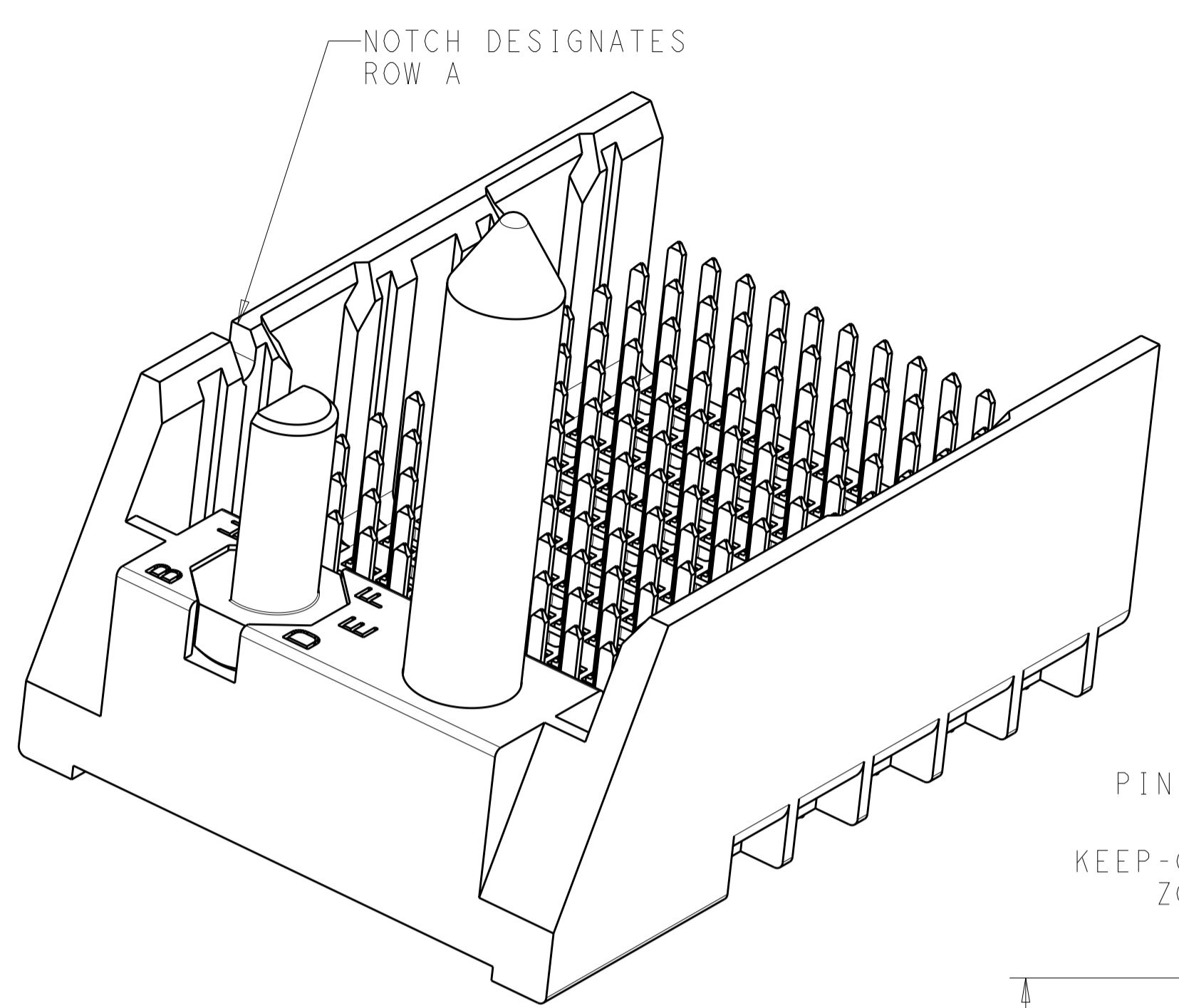
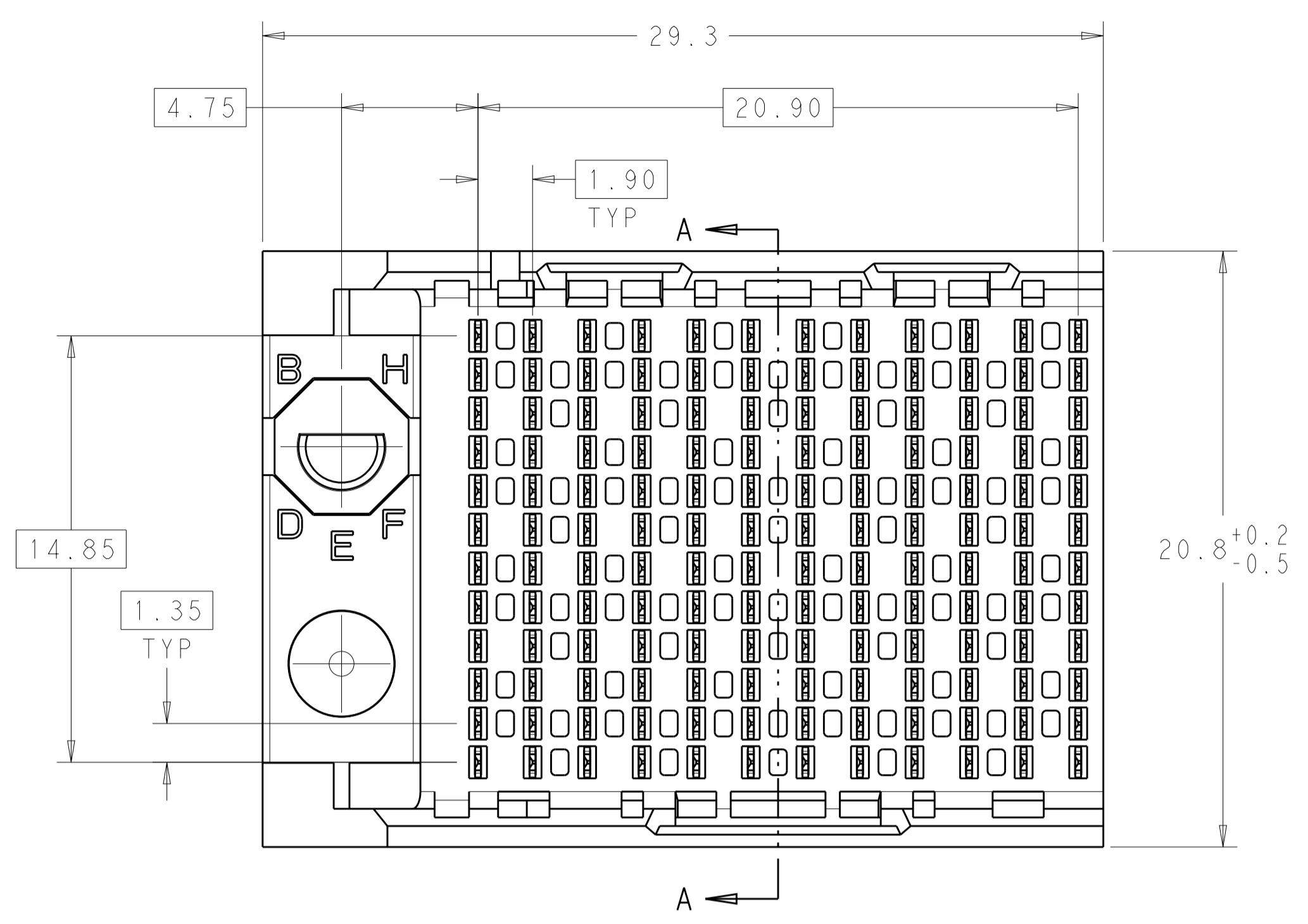
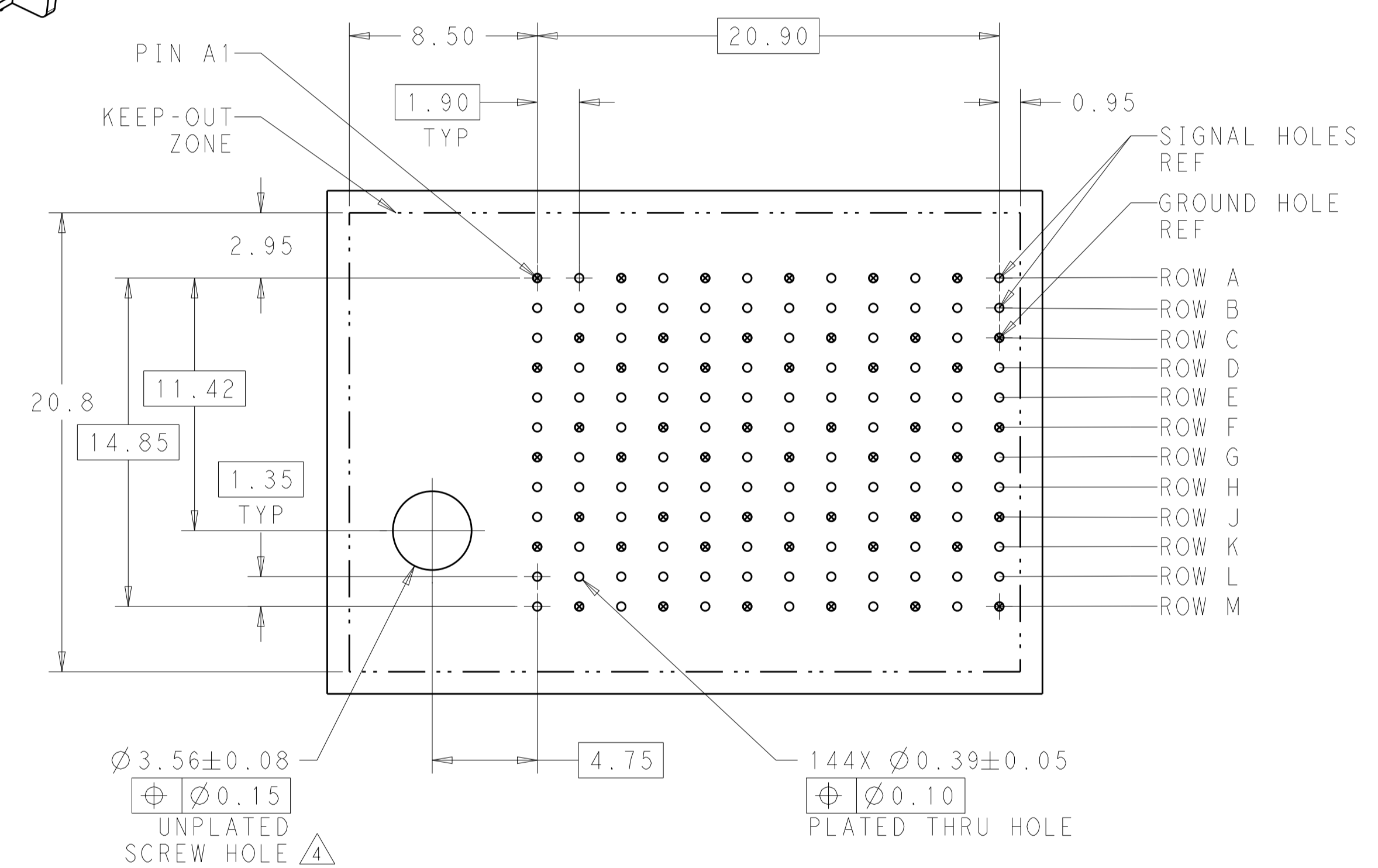


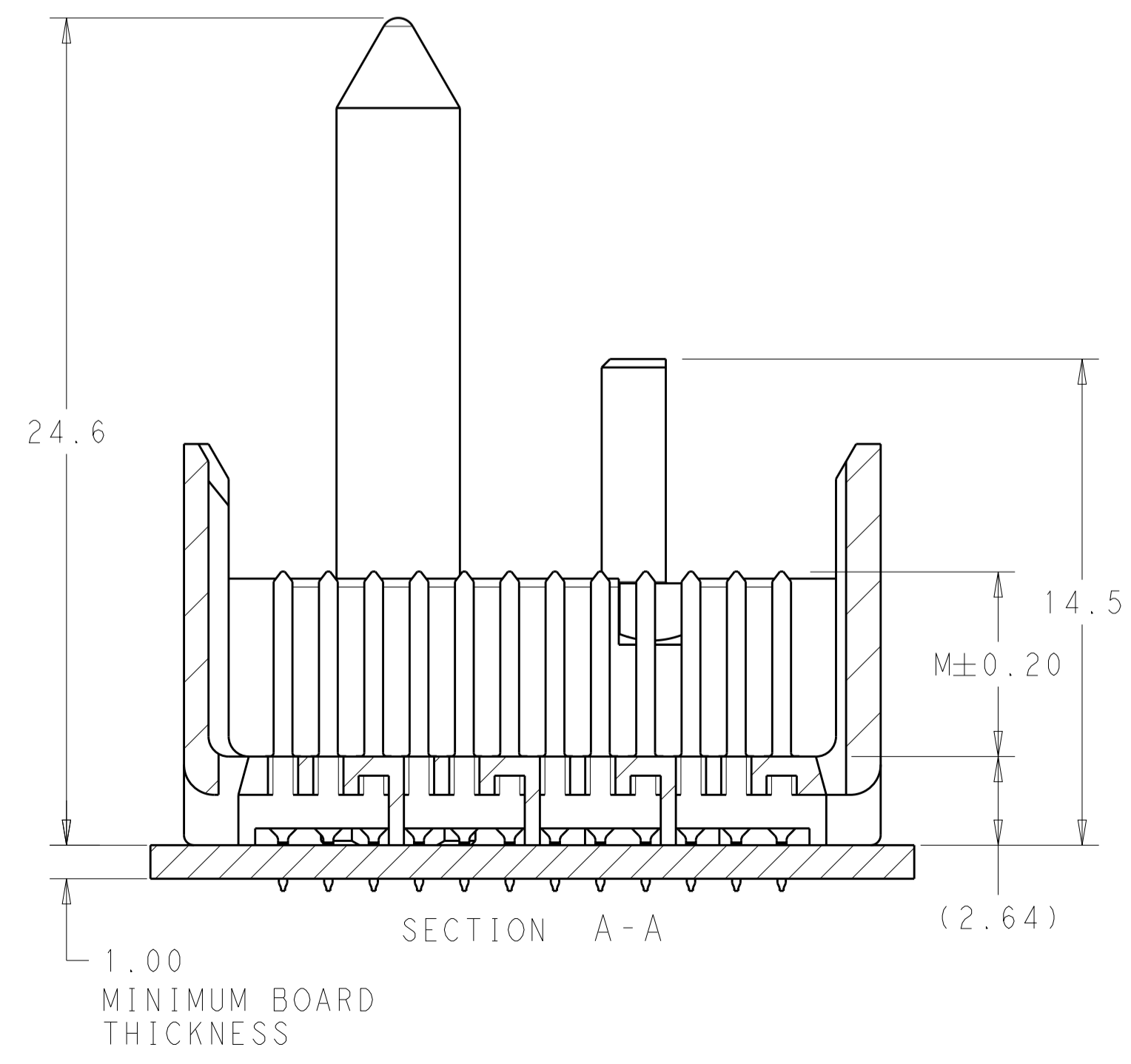
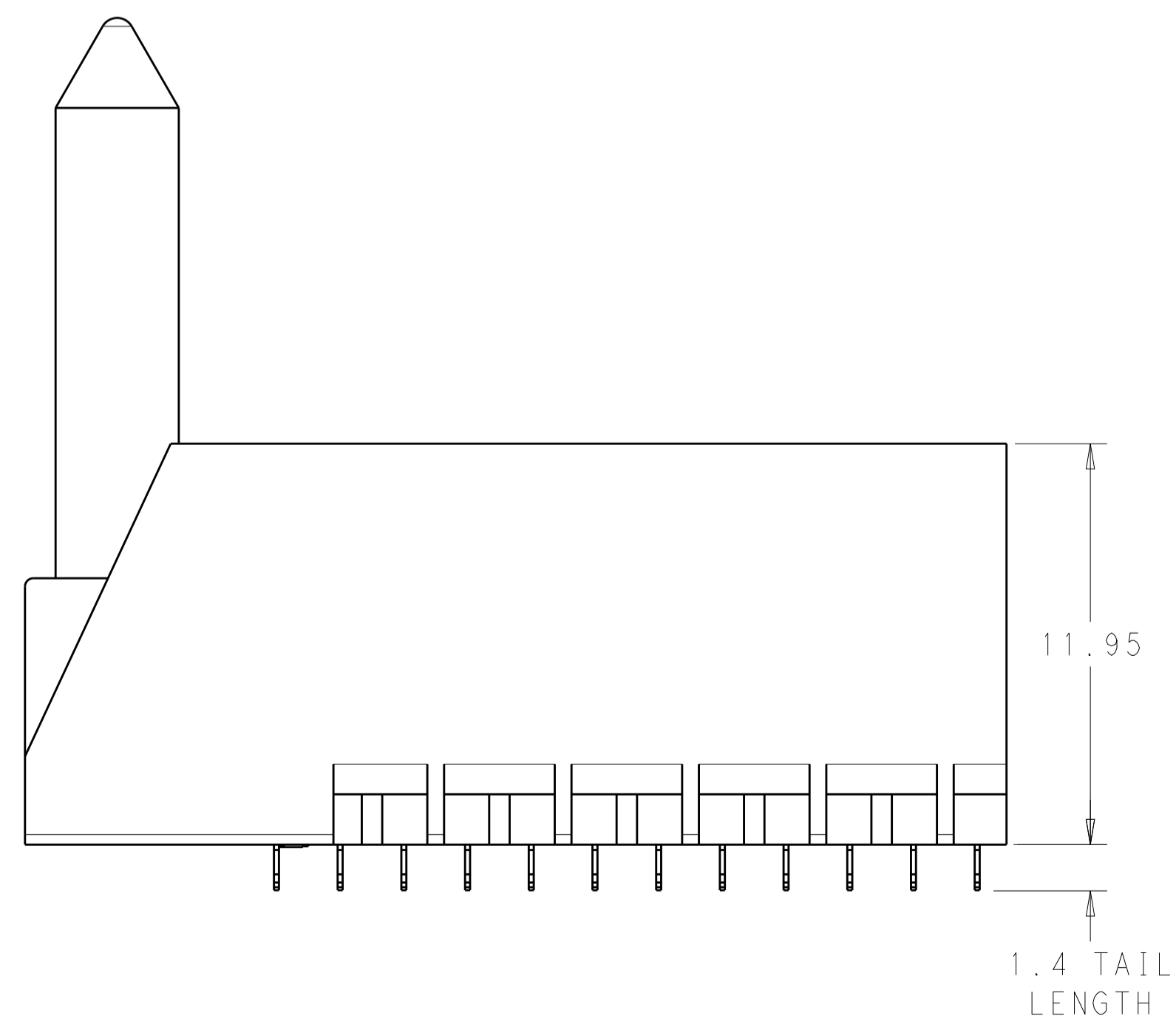
LOC	DIST	REVISIONS			
P	LTN	DESCRIPTION	DATE	DWN	APVD
A1		REVISED PER ECO-15-001494	06FEB2015	AP	DD



- 1. MATERIAL:
HOUSING: LCP, GLASS FILLED, UL94V-0.
TERMINALS: HIGH PERFORMANCE COPPER ALLOY.
- 2. FINISH:
30µ" MIN GOLD IN CONTACT AREA. SELECTIVE TIN ON PCB TAILS, NICKEL OVERALL.
- 3. SCREWS PACKAGED IN END OF PACKAGING TUBE.
- 4. FOR GROUNDED GUIDE PIN USE $\varnothing 3.56 \pm 0.08$ PTH, $\varnothing 3.66$ DRILL, AND $\varnothing 6.5$ PAD.
- 5. KEYING PIN SHOWN IN POSITION A, SEE KEYING CHART ON SHEET 2 FOR OTHER POSITIONS.



LEFT GUIDED BACKPLANE HOLE PATTERN (CONNECTOR SIDE)



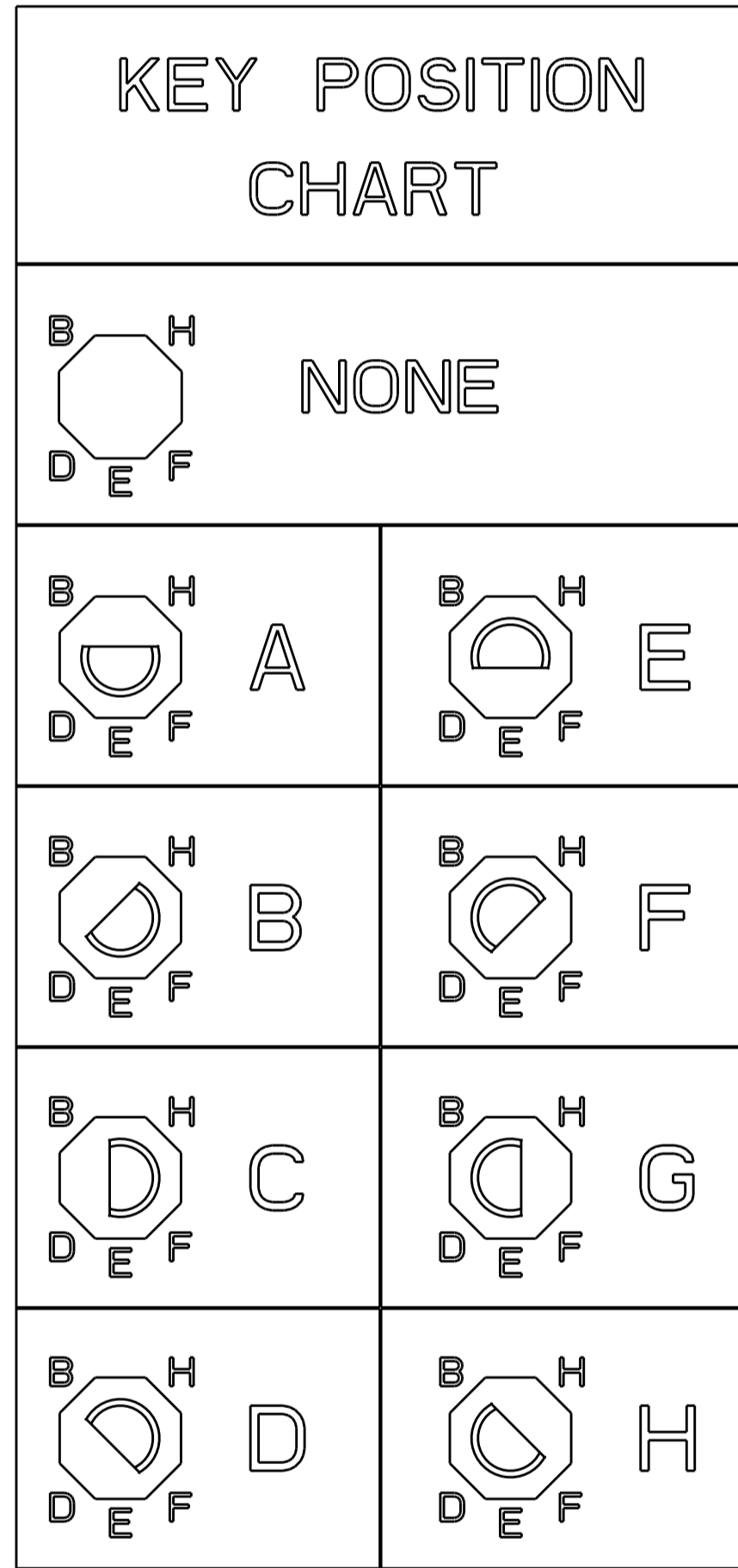
THIS DRAWING IS A CONTROLLED DOCUMENT.		DWN: B. CARBO 20JAN2012	TE Connectivity
DIMENSIONS: mm		CHK: D. YI 20JAN2012	
TOLERANCES UNLESS OTHERWISE SPECIFIED:		APVD: D. YI 20JAN2012	
0 PLC ± 1 PLC ±0.25 2 PLC ±0.13 3 PLC ± 4 PLC ± ANGLES ±		NAME: IMPACT, 4 PAIR, 12 COLUMN, HEADER LEFT GUIDED, OPEN END WALL SIGNAL MODULE, 0.39 PTH PRODUCT SPEC APPLICATION SPEC SIZE: CAGE CODE DRAWING NO: A100779C=2149994 WEIGHT: - CUSTOMER DRAWING	
MATERIAL: SEE TABLE		RESTRICTED TO: -	SCALE: 6:1 SHEET 1 OF 2 REV: A1

THIS DRAWING IS UNPUBLISHED. RELEASED FOR PUBLICATION 20
 © COPYRIGHT 20 BY - ALL RIGHTS RESERVED.

LOC		DIST		REVISIONS			
AD	00	REV	LTN	DESCRIPTION	DATE	DMN	APVD
-	-	-	-	SEE SHEET 1	-	-	-

	H	5.5	8-2149994-3
	H	4.9	8-2149994-2
	H	4.5	8-2149994-1
	G	5.5	7-2149994-3
	G	4.9	7-2149994-2
	G	4.5	7-2149994-1
	F	5.5	6-2149994-3
	F	4.9	6-2149994-2
	F	4.5	6-2149994-1
	E	5.5	5-2149994-3
	E	4.9	5-2149994-2
	E	4.5	5-2149994-1
	D	5.5	4-2149994-3
	D	4.9	4-2149994-2
	D	4.5	4-2149994-1
	C	5.5	3-2149994-3
	C	4.9	3-2149994-2
	C	4.5	3-2149994-1
	B	5.5	2-2149994-3
	B	4.9	2-2149994-2
	B	4.5	2-2149994-1
	A	5.5	1-2149994-3
	A	4.9	1-2149994-2
	A	4.5	1-2149994-1
	-	5.5	2149994-3
	-	4.9	2149994-2
	-	4.5	2149994-1
FINISH	KEY POSITION	DIM M	PART NUMBER

REFER TO WWW.TE.COM FOR PRODUCT AVAILABILITY



THIS DRAWING IS A CONTROLLED DOCUMENT.		DMN - 20JAN2012	TE Connectivity
DIMENSIONS: mm		CHK J. EARY 20JAN2012	
 0 PLC ±0.25 2 PLC ±0.13 3 PLC ± 4 PLC ± ANGLES ± FINISH SEE TABLE		APVD J. EARY 20JAN2012	
MATERIAL -		PRODUCT SPEC -	NAME IMPACT, 4 PAIR, 12 COLUMN, HEADER LEFT GUIDED, OPEN END WALL SIGNAL MODULE, 0.39 PTH
WEIGHT -		APPLICATION SPEC -	SIZE CAGE CODE DRAWING NO RESTRICTED TO
CUSTOMER DRAWING		SCALE 5:1	SHEET 2 OF 2 REV A1