

POS. PER ROW N	L	PART NUMBER
2	5.08	215307 -2
3	7.62	-3
4	10.16	-4
5	12.70	-5
6	15.24	-6
7	17.78	-7
8	20.32	-8
9	22.86	-9
10	25.40	1- -0
11	27.94	1- -1
12	30.48	1- -2
13	33.02	1- -3
14	35.56	1- -4
15	38.10	1- -5
16	40.64	1- -6
17	43.18	1- -7
18	45.72	1- -8
19	48.26	4- -9
20	50.80	2- -0
21	53.34	2- -1
22	55.88	2- -2
23	58.42	2- -3
24	60.96	2- -4
25	63.50	2- -5
26	66.04	2- -6
27	68.58	2- -7
28	71.12	2- -8
29	73.66	2- -9
30	76.2	3- -0
31	78.74	3- -1
32	81.28	3- -2
33	83.82	3- -3
34	86.36	3- -4
35	88.90	3- -5
36	91.44	3- 215307 -6

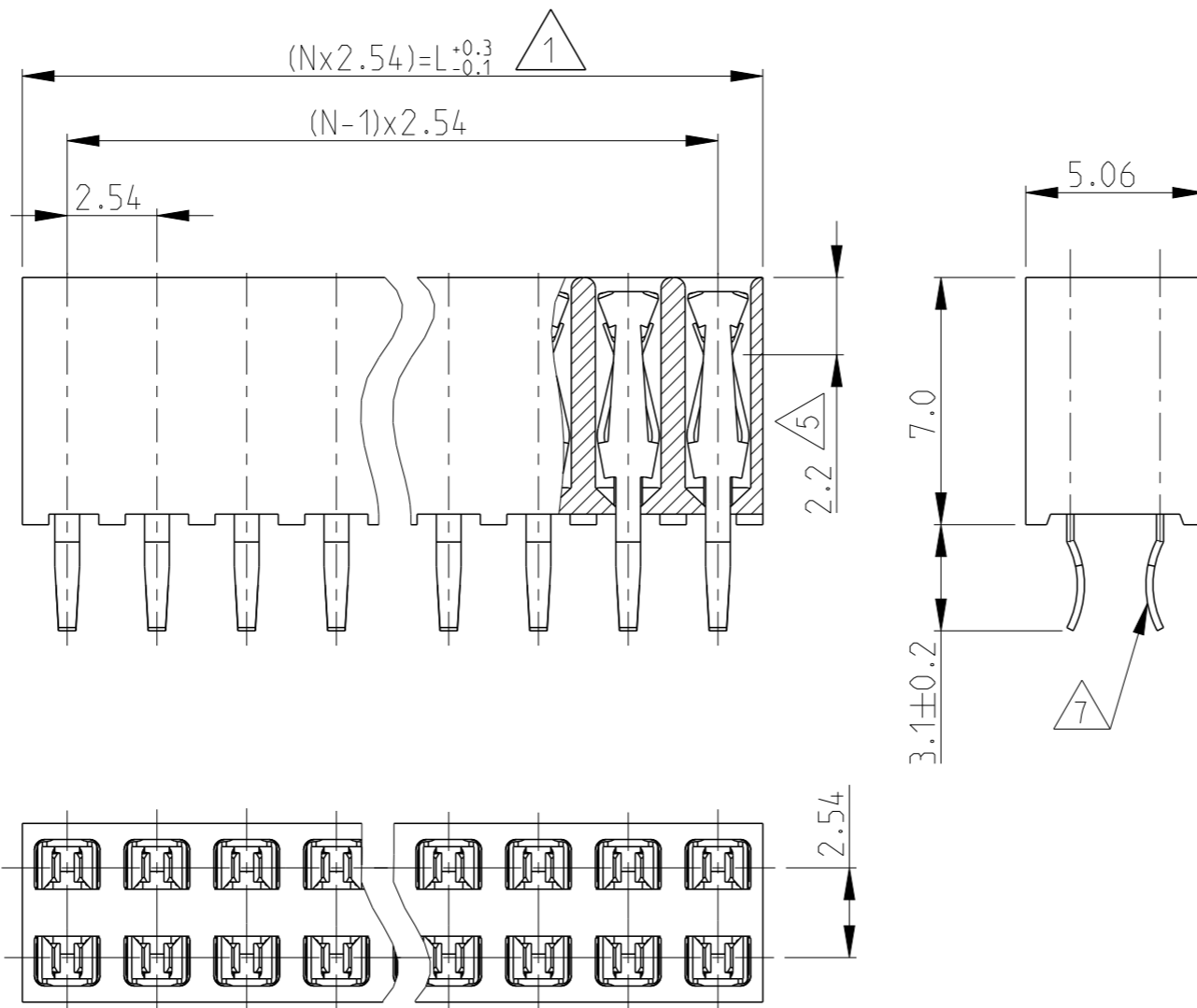
OBSOLETE

OBSOLETE

OBSOLETE

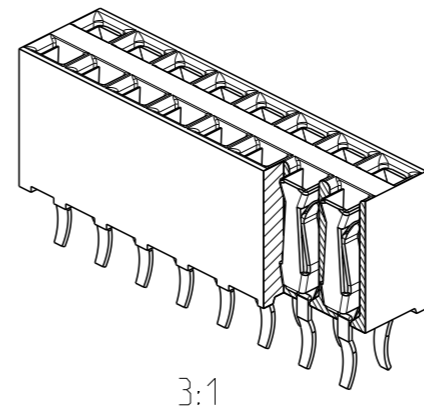
OBSOLETE

OBSOLETE

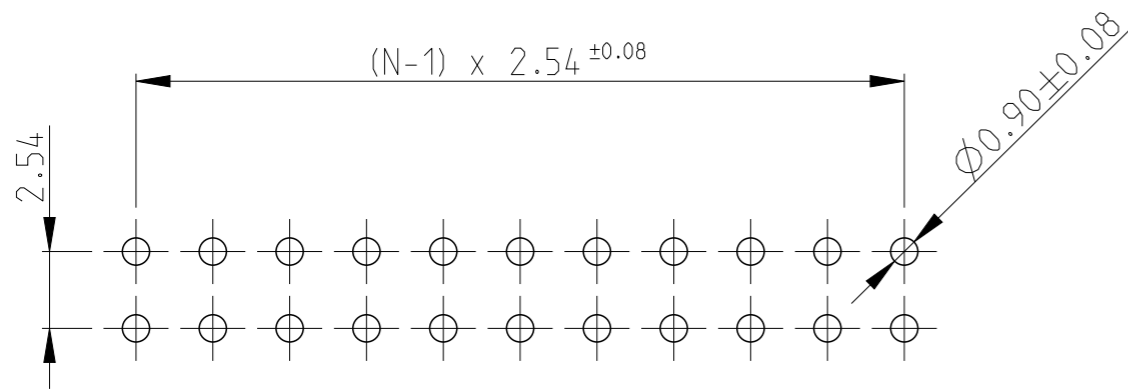



NOTES:

- 1 TO DETERMINE DIMENSIONS TAKE  $2 \times N =$  NR. OF POS.  
FOR EXAMPLE:  $2 \times 10$  POS;  $N \times 2.54 = 25.4$ mm  
FOR ORDER NO: USE BASIC - NR. + NR. OF POS.  
FOR EXAMPLE:  $2 \times 2$ POS. = 215307-2 (SHORTEST VERSION)  
 $2 \times 36$ POS. = 3-215307-6 (LONGEST VERSION)
- 2 HOUSING MATERIAL: PBT BLACK GLASS FILLED, UL 94V-0  
CONTACT MATERIAL: PHOSPHOR BRONZE
- 3 PLATING: UNDER COATING:  $1.3 \mu\text{m Ni}$   
AT CONT. PLACE:  $0.66 \mu\text{m PdNi} + 0.1 \mu\text{m Au Flash}$   
AT SOLDER-TYNES:  $2.5 \mu\text{m Sn}$
- 4 MATES WITH 0.63 SQUARE/ROUND MODU POSTS
- 5 CONTACT POINT
- 6 RECOMMENDED PC BOARD THICKNESS: 1.6mm
- 7 PC-BOARD RETENTION FEATURE
- 8 HV100 CONNECTOR PACKED IN ANTI-STATIC BLISTER TRAY



RECOMMENDED PCB LAYOUT



THIS DRAWING IS A CONTROLLED DOCUMENT.		DWN R.VISSER 08MAY1987	 TE Connectivity		
DIMENSIONS: mm		CHK W.SIMONS			
TOLERANCES UNLESS OTHERWISE SPECIFIED: $\pm 0.15$		APVD L.v.SQEST	NAME HV100 CONNECTOR VERTICAL, 7.0mm TOP ENTRY, DUAL ROW, GOLD		
0 PLC $\pm$		PRODUCT SPEC 108-19056	SIZE A3	CAGE CODE 00779	DRAWING NO C=215307
1 PLC $\pm$		APPLICATION SPEC -	RESTRICTED TO		
2 PLC $\pm$		WEIGHT -	SCALE 5:1 SHEET 1 OF 1 REV H		
3 PLC $\pm$		CUSTOMER DRAWING			
4 PLC $\pm$					
ANGLES $\pm$					
FINISH					