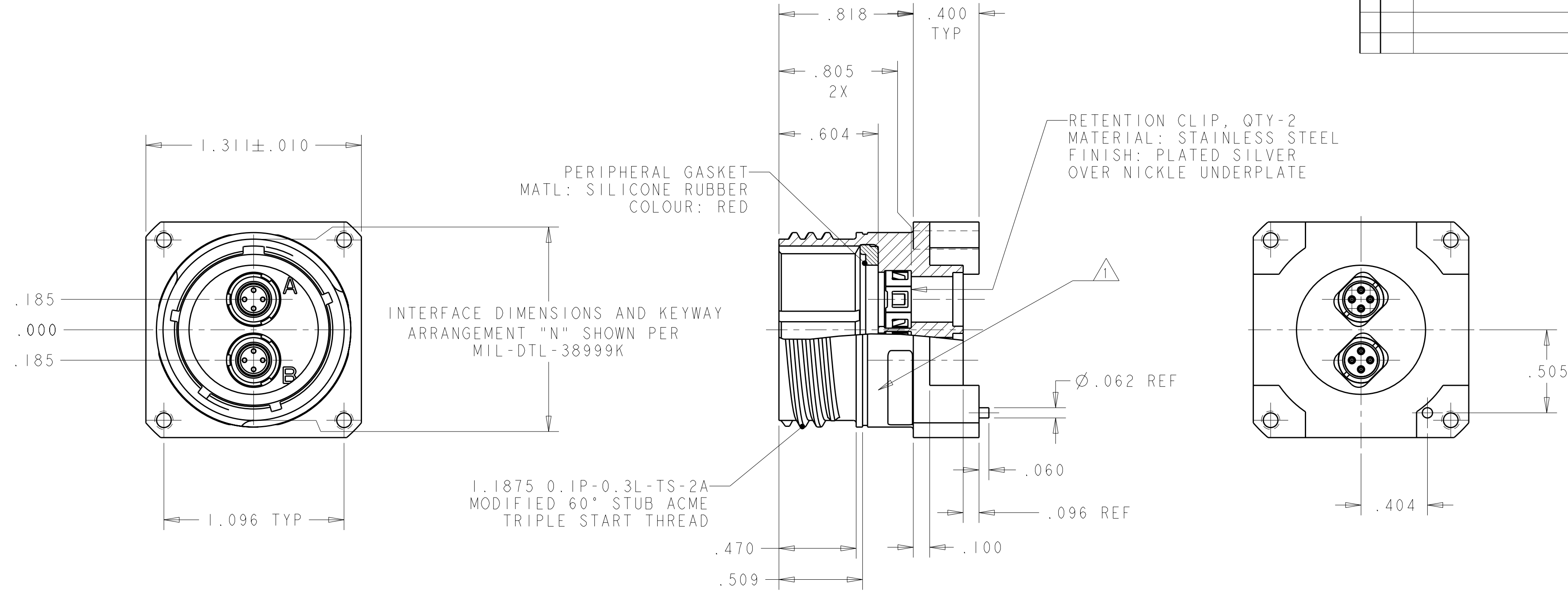


THIS DRAWING IS UNPUBLISHED. RELEASED FOR PUBLICATION 20
 © COPYRIGHT 20 BY TYCO ELECTRONICS CORPORATION. ALL RIGHTS RESERVED.

LOC		DIST		REVISIONS			
P	LTR	DESCRIPTION	DATE	DWN	APVD		
	A	INITIAL RELEASE	01MAR2011	CCT	DM		



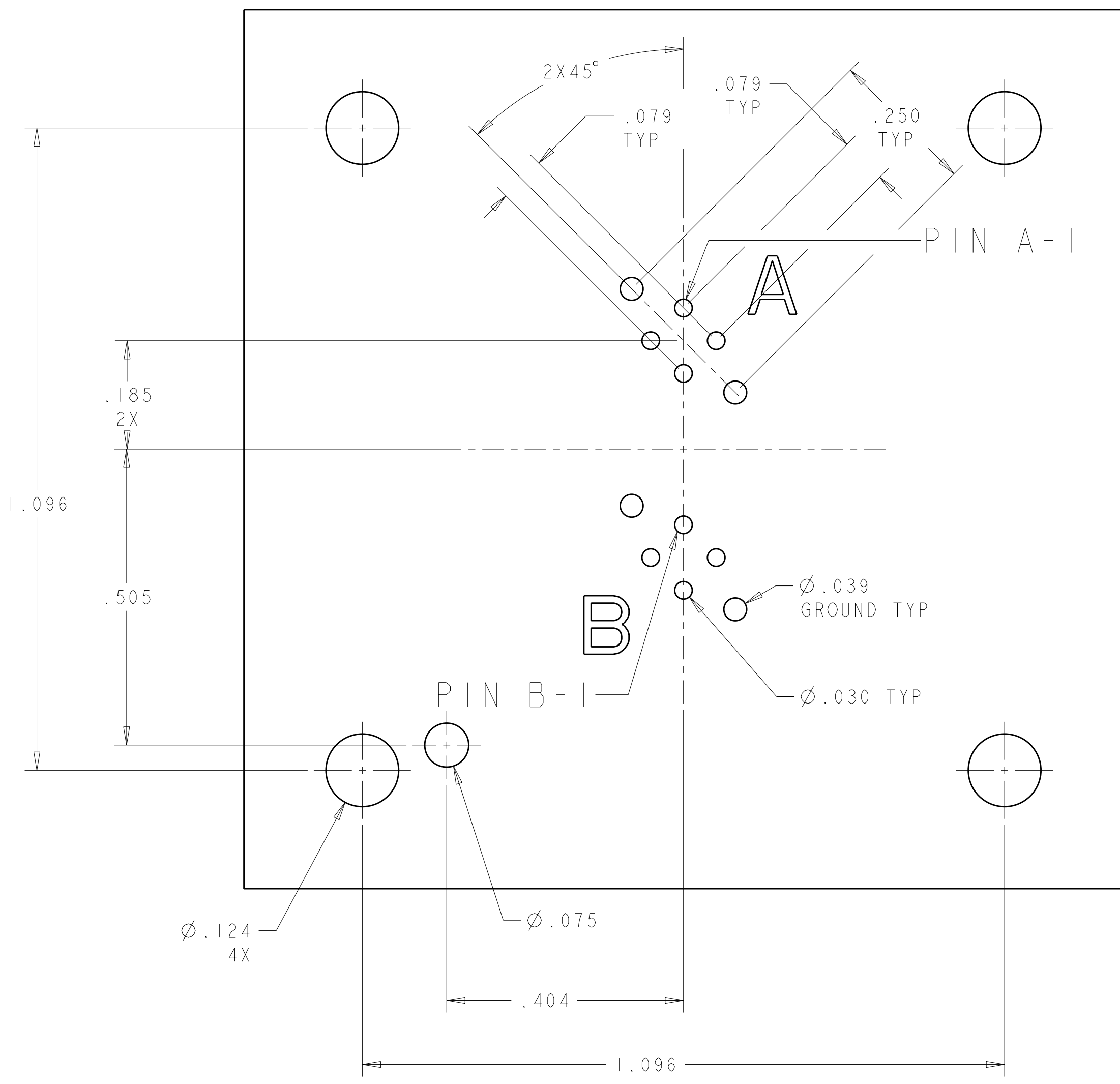
1445626-1	2	B	2157455-3
1445626-1	2	A	2157455-2
1445626-1	2	N	2157455-1
CONTACT PART NO. QTY = 2	SHELL FINISH	SHELL KEYING ARRANGEMENT	PART NUMBER

- 1 PART IS MARKED WITH Tyco ELECTRONICS CAGE CODE (00779), TE PART NO., Tyco ELECTRONICS LOGO OR TE AND DATE CODE.
- 2 SHELL FINISH: ELECTROLESS NICKEL.

THIS DRAWING IS A CONTROLLED DOCUMENT FOR TYCO ELECTRONICS CORPORATION. IT IS SUBJECT TO CHANGE AND THE CONTROLLING ENGINEERING ORGANIZATION SHOULD BE CONTACTED FOR THE LATEST REVISION.		DWN C.C. THOMAS O1MART1	Tyco Electronics Harrisburg, PA 17105-3608	
DIMENSIONS: INCHES		CHK D. MILLER O1MART1	NAME ASSY, RECEPTACLE, SIZE 17, 202, M38999 STYLE, SERIES III, PCB MOUNT WITH CONTACTS	
TOLERANCES UNLESS OTHERWISE SPECIFIED: 0 PLC ±.1 1 PLC ±.01 2 PLC ±.005 3 PLC ±.002 4 PLC ±.002 ANGLES ±2°30" FINISH SEE CALLOUTS		APVD D. MILLER O1MART1	SIZE A2	
MATERIAL SEE CALLOUTS		PRODUCT SPEC -	CAGE CODE 00779	DRAWING NO 2157455
CUSTOMER DRAWING		APPLICATION SPEC -	RESTRICTED TO -	SCALE 2:1
		WEIGHT -	SHEET 1	OF 2
			REV A	

THIS DRAWING IS UNPUBLISHED. RELEASED FOR PUBLICATION 20
 © COPYRIGHT 20 BY TYCO ELECTRONICS CORPORATION. ALL RIGHTS RESERVED.

LOC		DIST		REVISIONS			
P	LTR	DESCRIPTION	DATE	DWN	APVD		
-	-	SEE SHEET 1	-	-	-		



PIN NUMBER	SIGNAL ALLOCATION
1	Tx+
2	Rx+
3	Tx-
4	Rx-

PIN LOCATIONS GO CLOCKWISE FROM POSITION 1

PCB LAYOUT
TOP VIEW

THIS DRAWING IS A CONTROLLED DOCUMENT FOR TYCO ELECTRONICS CORPORATION. IT IS SUBJECT TO CHANGE AND THE CONTROLLING ENGINEERING ORGANIZATION SHOULD BE CONTACTED FOR THE LATEST REVISION.		DWN C.C. THOMAS O1MART1	Tyco Electronics Harrisburg, PA 17105-3608	
DIMENSIONS: INCHES		CHK D. MILLER O1MART1	NAME ASSY, RECEPTACLE, SIZE 17, 2Q2, M38999 STYLE, SERIES 111, PCB MOUNT WITH CONTACTS	
TOLERANCES UNLESS OTHERWISE SPECIFIED: 0 PLC ±. 1 PLC ±.01 2 PLC ±.005 3 PLC ±.0020 4 PLC ±.0020 ANGLES ±2°30"		APVD D. MILLER O1MART1	SIZE A2 00779 C-2157455	
MATERIAL SEE CALLOUTS		PRODUCT SPEC -	RESTRICTED TO -	
FINISH SEE CALLOUTS		APPLICATION SPEC -	SCALE 2:1 SHEET 2 OF 2 REV A	
CUSTOMER DRAWING		WEIGHT -		