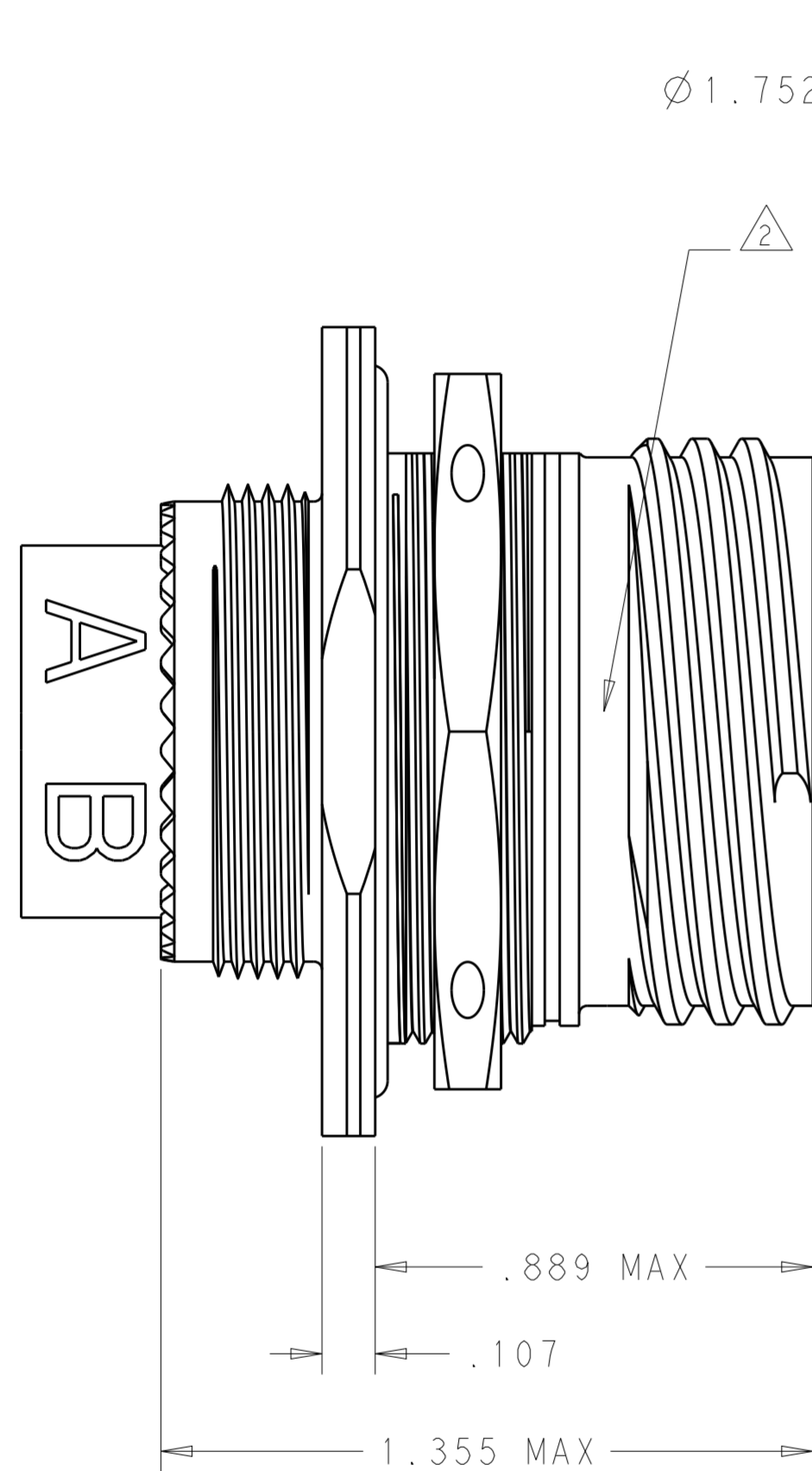
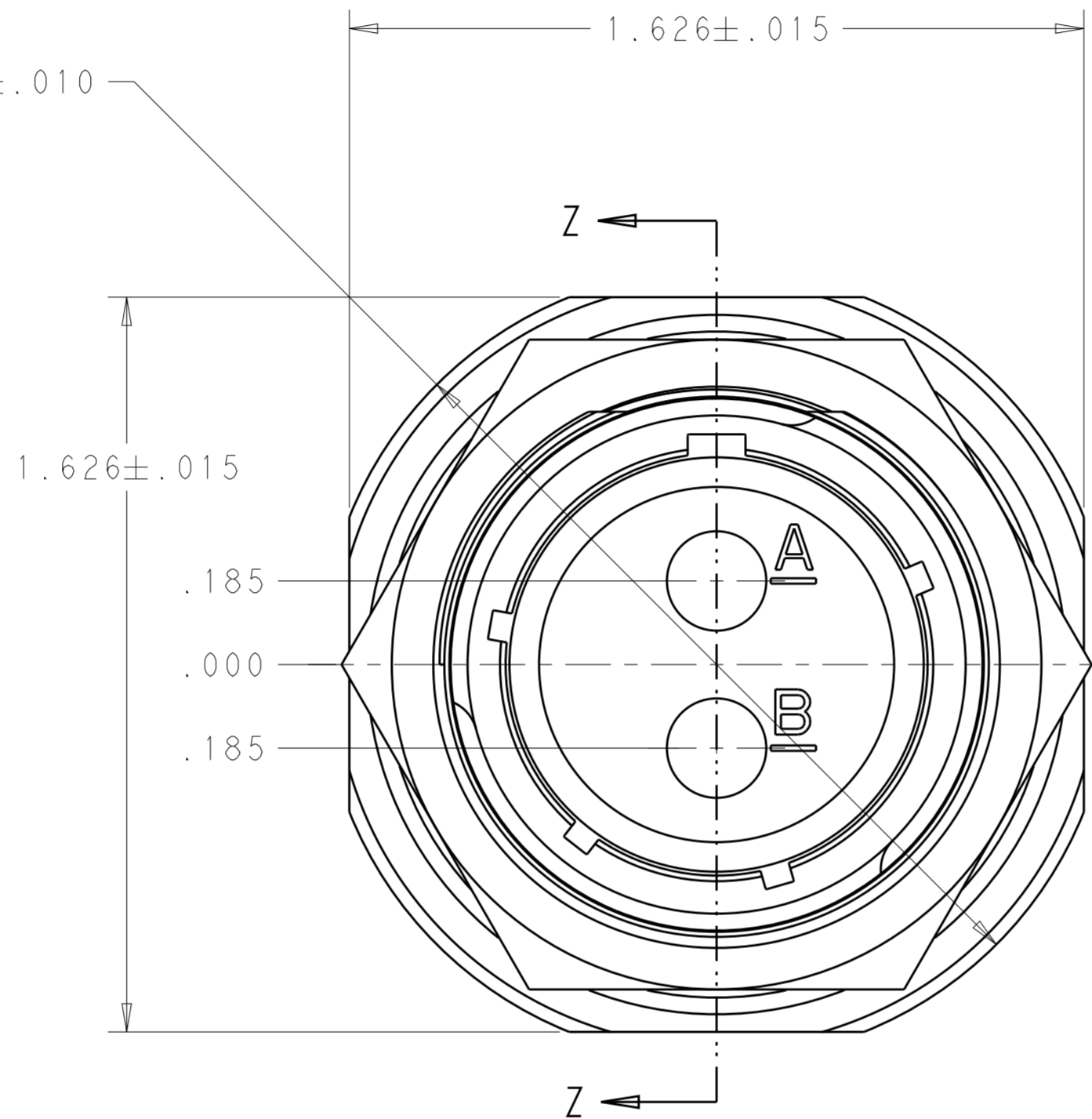


THIS DRAWING IS UNPUBLISHED. RELEASED FOR PUBLICATION  
 © COPYRIGHT BY - ALL RIGHTS RESERVED.

LOC		DIST		REVISIONS			
P	LTR	DESCRIPTION	DATE	DWN	APVD		
	C	REV PER ECO 16-008600	6-13-16	CT	DM		



$\varnothing 1.752 \pm .010$



MASTER KEYWAY

REAR RETAINER

JAM NUT

RETENTION CLIP

$\varnothing 1.255$

1.186 TO FLAT

INTERFACIAL SEAL

FLANGE SEALING O-RING

RECEPTACLE SHELL

SECTION Z-Z

- ① MATERIAL AND FINISH:  
 CONNECTOR SHELL: 6061-T6 ALUMINUM - SEE TABLE FOR PLATING  
 QUADRAX RETENTION CLIP: SILVER PLATED STAINLESS STEEL  
 JAM NUT: 6061-T6 ALUMINUM - SEE TABLE FOR PLATING  
 FLANGE SEALING O-RING: VITON RUBBER  
 INTERFACIAL SEAL: SILICON RUBBER  
 REAR RETAINER: CONDUCTIVE COMPOSITE THERMOPLASTIC

- ② PART IS MARKED WITH TE CONNECTIVITY PART NUMBER (SEE TABLE), TE, TE CAGE CODE (00779) AND DATE CODE.

- ③ THIS CONNECTOR ACCEPTS TE CONNECTIVITY QUADRAX PIN ASSEMBLY, P/N 1445692-3 OR 1877039-2.

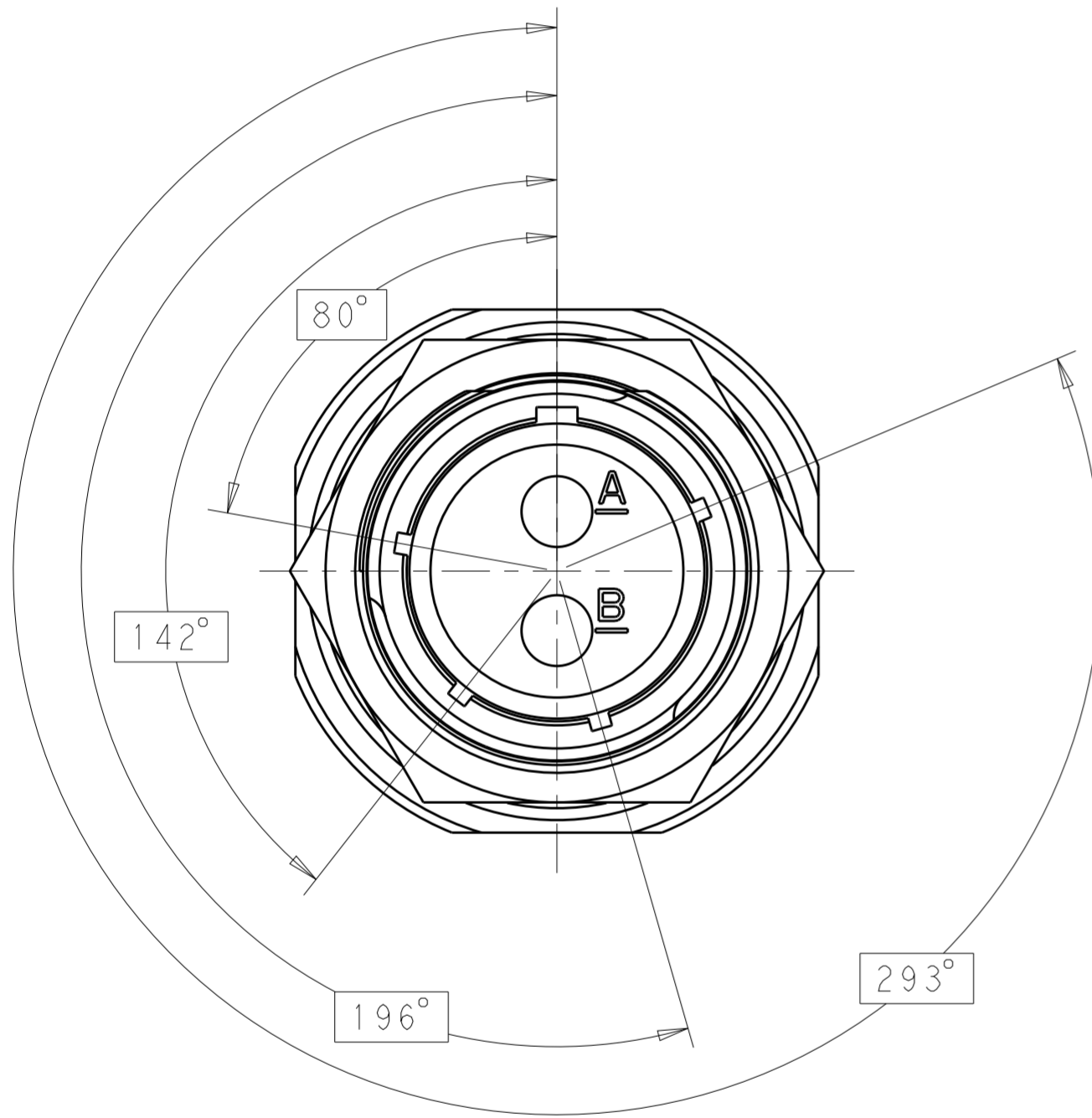
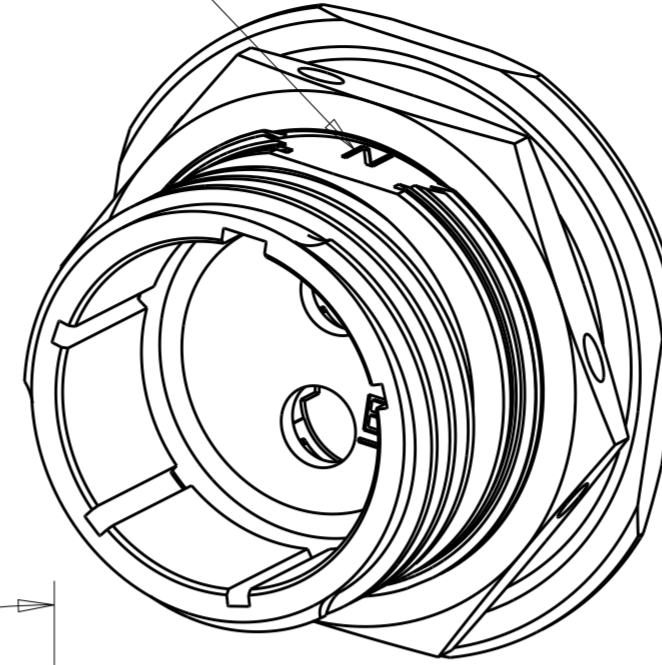
OLIVE DRAB	"B" KEY	2157695-6
OLIVE DRAB	"A" KEY	2157695-5
OLIVE DRAB	"N" KEY	2157695-4
NICKEL	"B" KEY	2157695-3
NICKEL	"A" KEY	2157695-2
NICKEL	"N" KEY	2157695-1
FINISH	38999 KEYING	PART NUMBER

THIS DRAWING IS A CONTROLLED DOCUMENT.		DWN K. GLATFELTER 18OCT2011	TE Connectivity	
DIMENSIONS: INCHES		CHK D. MILLER 18OCT2011		
TOLERANCES UNLESS OTHERWISE SPECIFIED:		APVD D. MILLER 18OCT2011	NAME RECEPTACLE, 38999 SERIES III, SIZE 17, JAM NUT STYLE, 202	
0 PLC ± 1 PLC ± 2 PLC ± 3 PLC ± 4 PLC ± ANGLES ± FINISH		PRODUCT SPEC -	SIZE A2	
MATERIAL		APPLICATION SPEC -	CAGE CODE 00779	DRAWING NO C-2157695
SEE TABLE		WEIGHT -	RESTRICTED TO -	SCALE 3:1
		CUSTOMER DRAWING	SHEET 1	OF 2
			REV C	

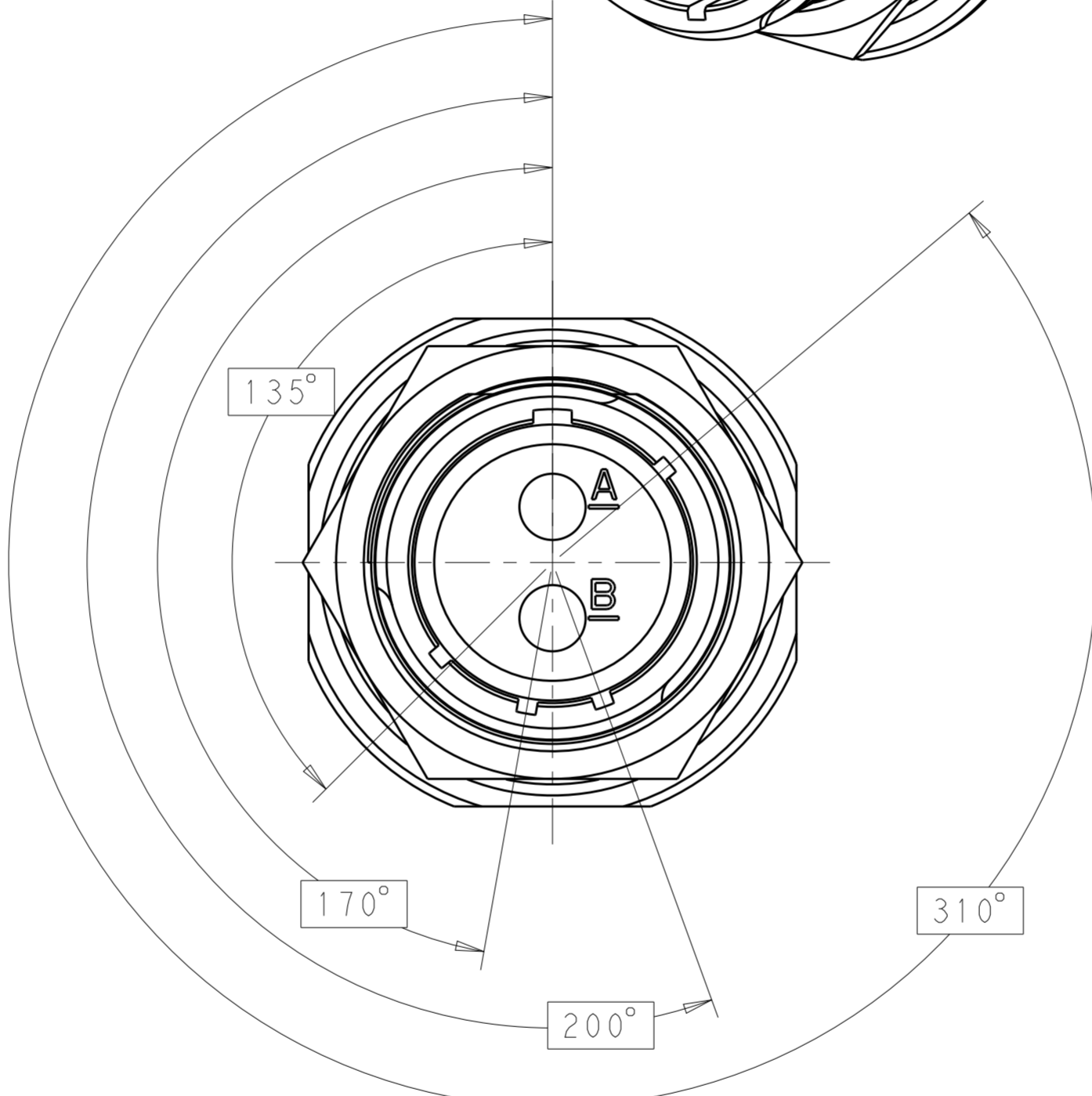
THIS DRAWING IS UNPUBLISHED. RELEASED FOR PUBLICATION 20  
 © COPYRIGHT 20 BY - ALL RIGHTS RESERVED.

LOC		DIST		REVISIONS			
P	LTR	DESCRIPTION	DATE	DWN	APVD		
-	-	SEE SHEET 1	-	-	-		

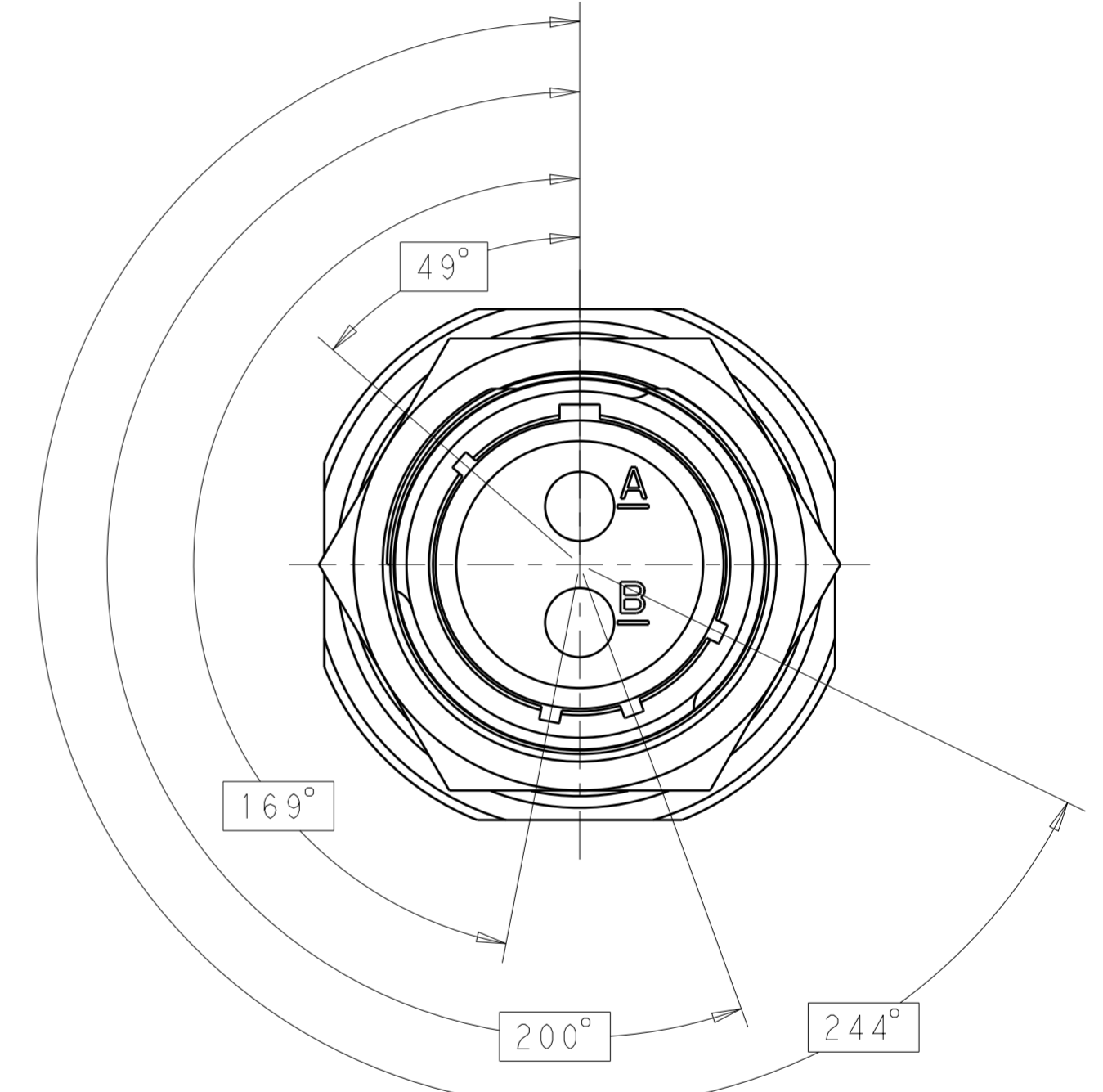
KEYING ID



"N" 38999 KEYING



"A" 38999 KEYING



"B" 38999 KEYING

THIS DRAWING IS A CONTROLLED DOCUMENT.		DWN K. GLATFELTER 18OCT2011	TE Connectivity
DIMENSIONS: INCHES		CHK D. MILLER 18OCT2011	
TOLERANCES UNLESS OTHERWISE SPECIFIED:		APVD D. MILLER 18OCT2011	
0 PLC ± 1 PLC ± 2 PLC ± 3 PLC ± 4 PLC ± ANGLES ± FINISH		PRODUCT SPEC APPLICATION SPEC WEIGHT CUSTOMER DRAWING	
MATERIAL		SCALE 2:1	NAME RECEPTACLE, 38999 SERIES III, SIZE 17, JAM NUT STYLE, 202 SIZE CAGE CODE DRAWING NO RESTRICTED TO A200779 C-2157695 - SHEET 2 OF 2 REV C