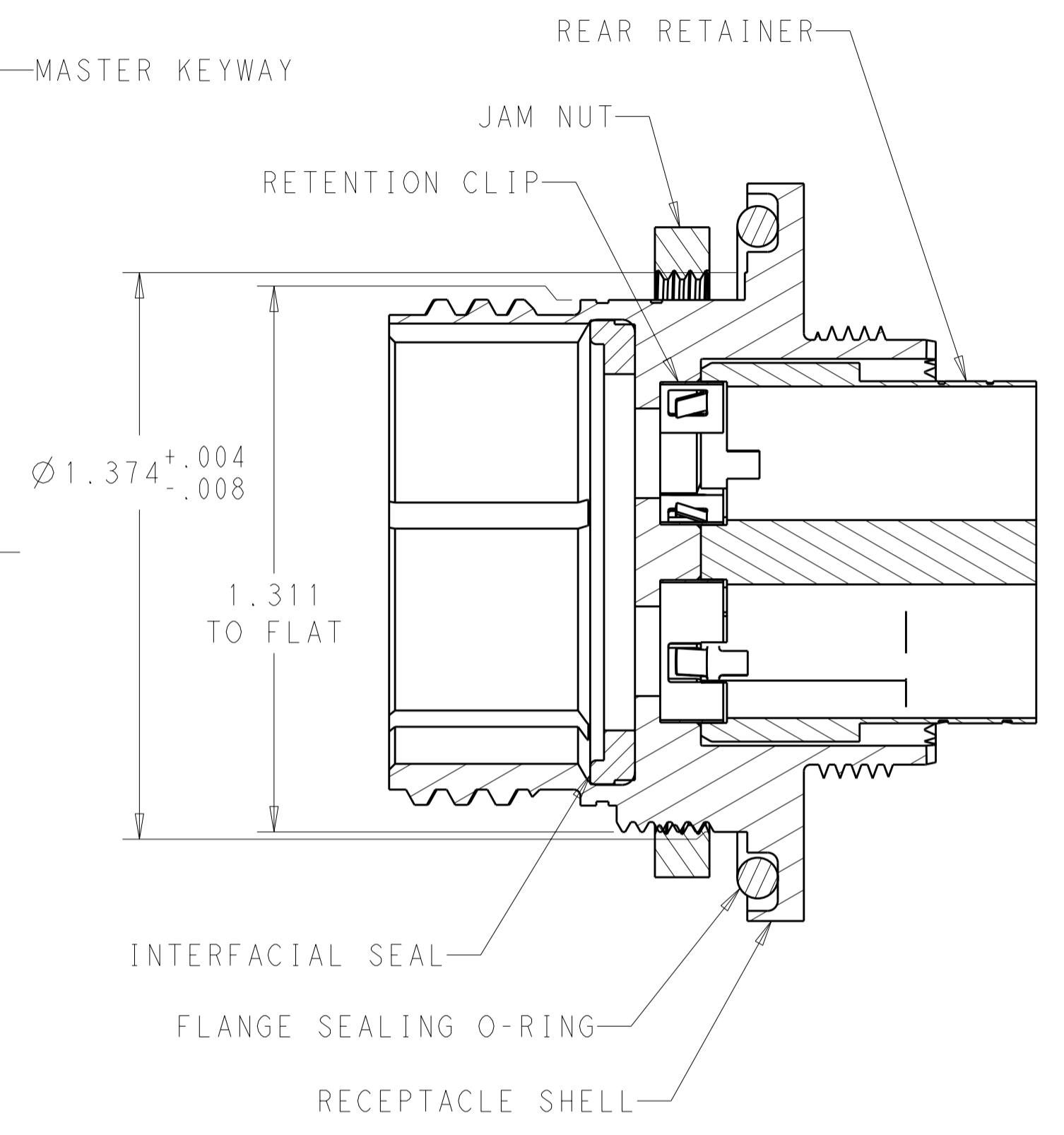
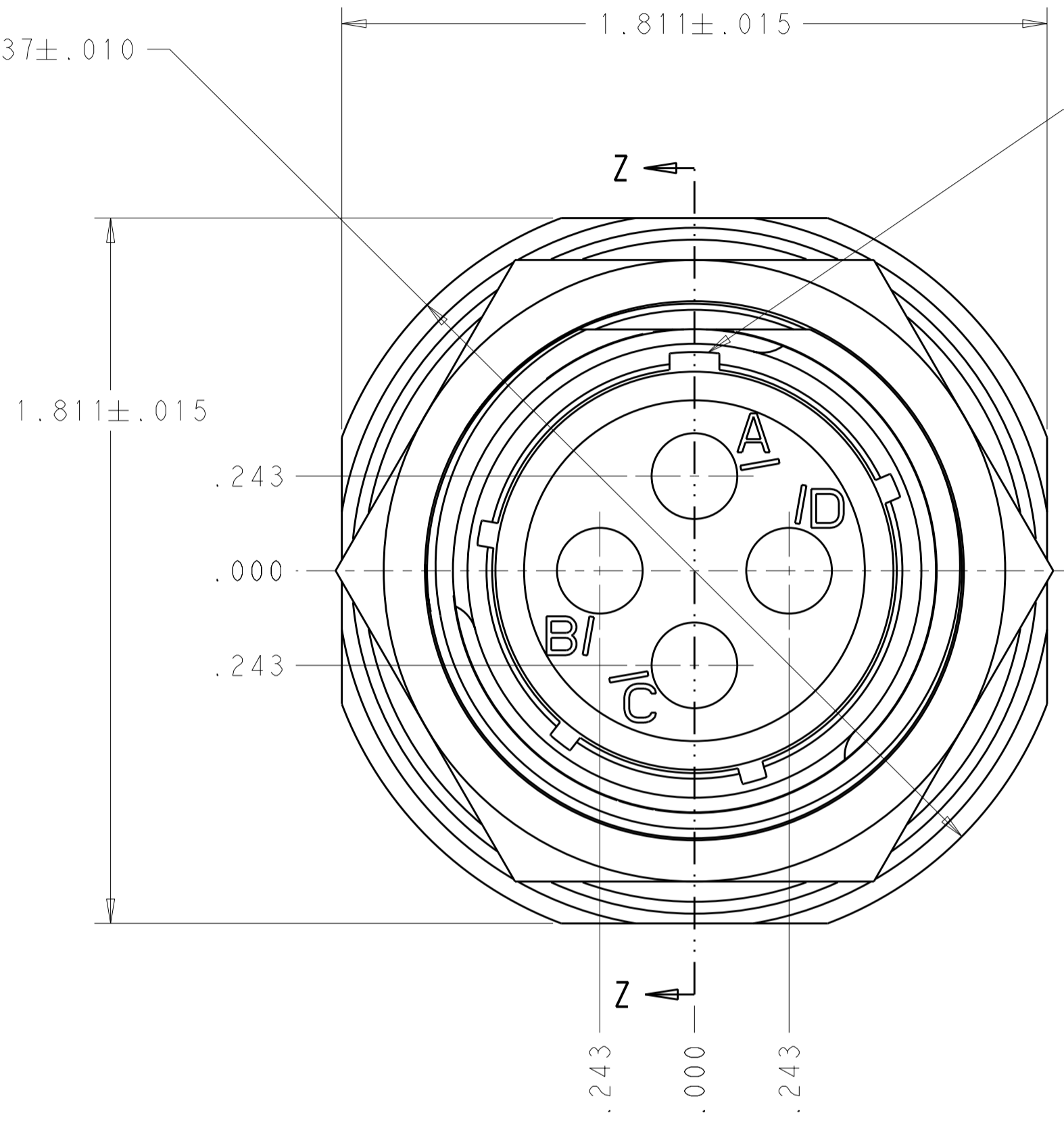
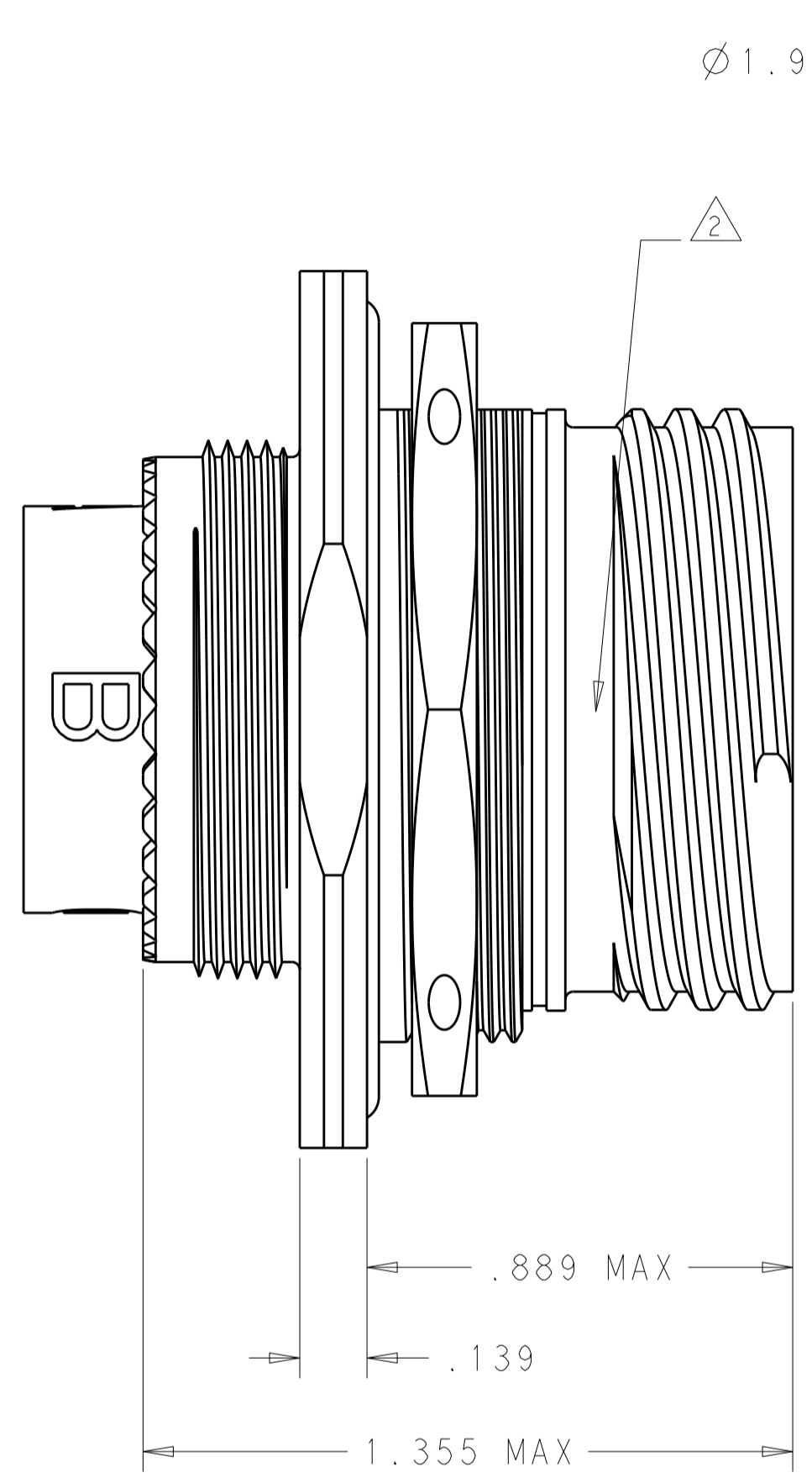


THIS DRAWING IS UNPUBLISHED. RELEASED FOR PUBLICATION 20  
 © COPYRIGHT 20 BY - ALL RIGHTS RESERVED.

REVISIONS				DATE	DWN	APVD
P	LTR	DESCRIPTION				
-	-					
A		RELEASED	07OCT2011	KG	DM	



SECTION Z-Z

- 1 MATERIAL AND FINISH:  
 CONNECTOR SHELL: 6061-T6 ALUMINUM - SEE TABLE FOR PLATING  
 QUADRAX RETENTION CLIP: SILVER PLATED STAINLESS STEEL  
 JAM NUT: 6061-T6 ALUMINUM - SEE TABLE FOR PLATING  
 FLANGE SEALING O-RING: VITON RUBBER  
 INTERFACIAL SEAL: SILICON RUBBER  
 REAR RETAINER: CONDUCTIVE COMPOSITE THERMOPLASTIC
- 2 PART IS MARKED WITH TE CONNECTIVITY PART NUMBER (SEE TABLE), TE, TE CAGE CODE (00779) AND DATE CODE.
- 3 THIS CONNECTOR KIT INCLUDES TE CONNECTIVITY QUADRAX PIN ASSEMBLY, P/N 1445692-3, QTY = 4 PER KIT.

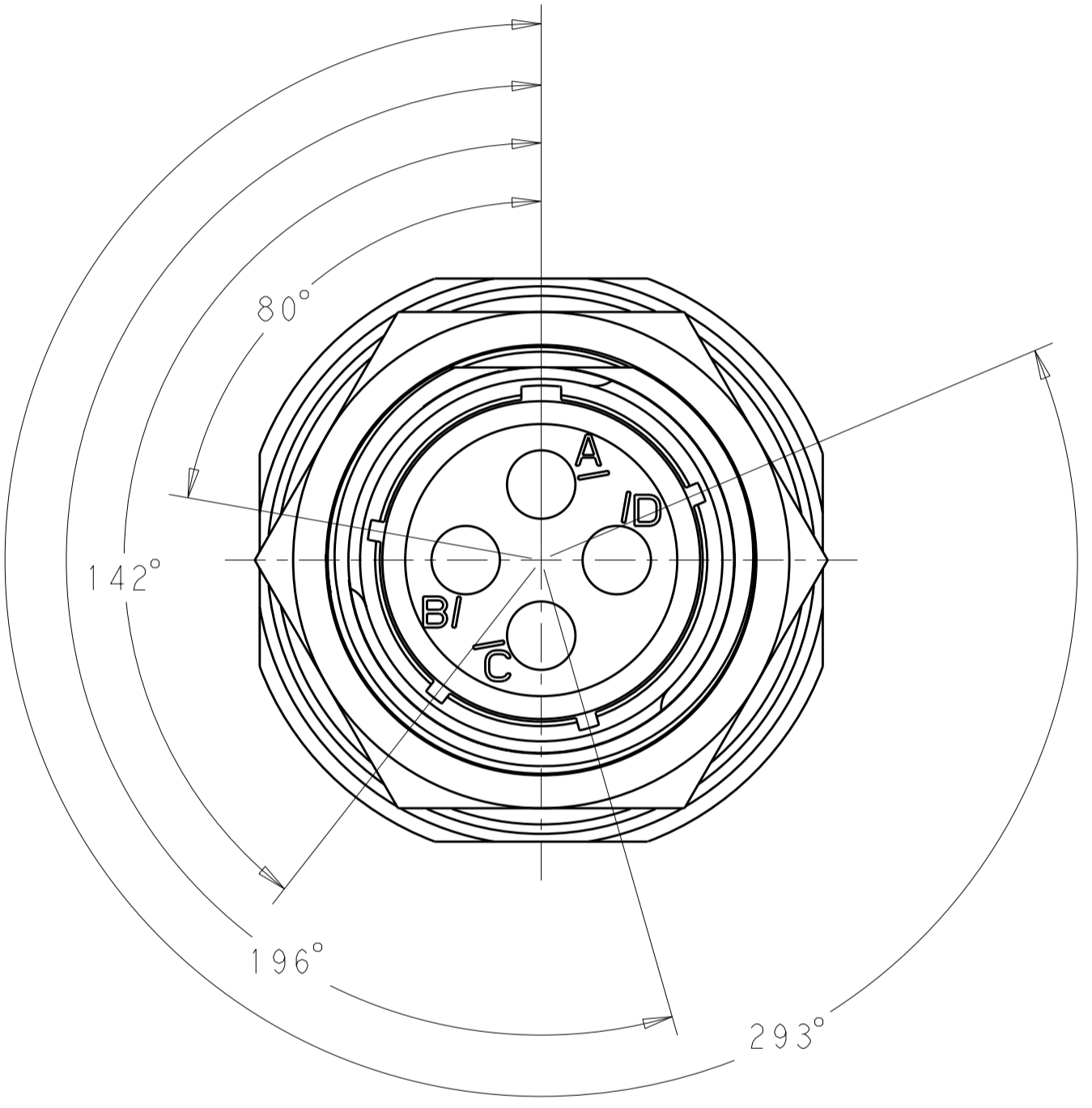
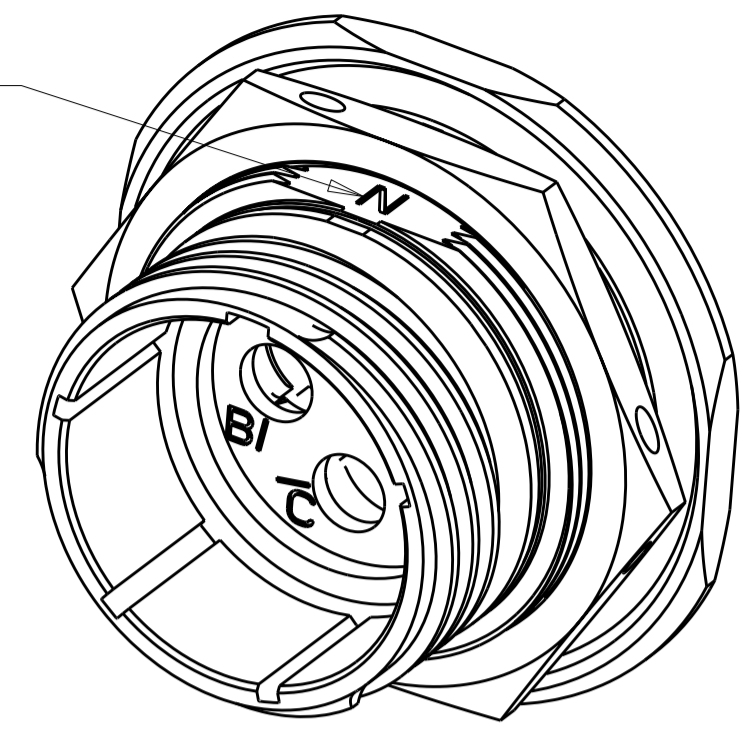
OLIVE DRAB	-	"B" KEY	2157696-6
OLIVE DRAB	-	"A" KEY	2157696-5
OLIVE DRAB	-	"N" KEY	2157696-4
NICKEL	3	"B" KEY	2157696-3
NICKEL	3	"A" KEY	2157696-2
NICKEL	3	"N" KEY	2157696-1
FINISH	QUADRAX CONTACT QTY = 4	38999 KEYING	PART NUMBER

THIS DRAWING IS A CONTROLLED DOCUMENT.		DWN K. GLATFELTER 11OCT2011	TE Connectivity	
DIMENSIONS: INCHES		CHK D. MILLER 07OCT2011		
TOLERANCES UNLESS OTHERWISE SPECIFIED:		APVD D. MILLER 07OCT2011	NAME RECEPTACLE, 38999 SERIES III, SIZE 19, JAM NUT STYLE, 404	
0 PLC ± 1 PLC ± 2 PLC ± 3 PLC ± 4 PLC ± ANGLES ± FINISH		PRODUCT SPEC	SIZE CAGE CODE DRAWING NO	
MATERIAL		APPLICATION SPEC	RESTRICTED TO	
		WEIGHT	A200779C-2157696	
CUSTOMER DRAWING		SCALE 3:1	SHEET 1 OF 2 REV A	

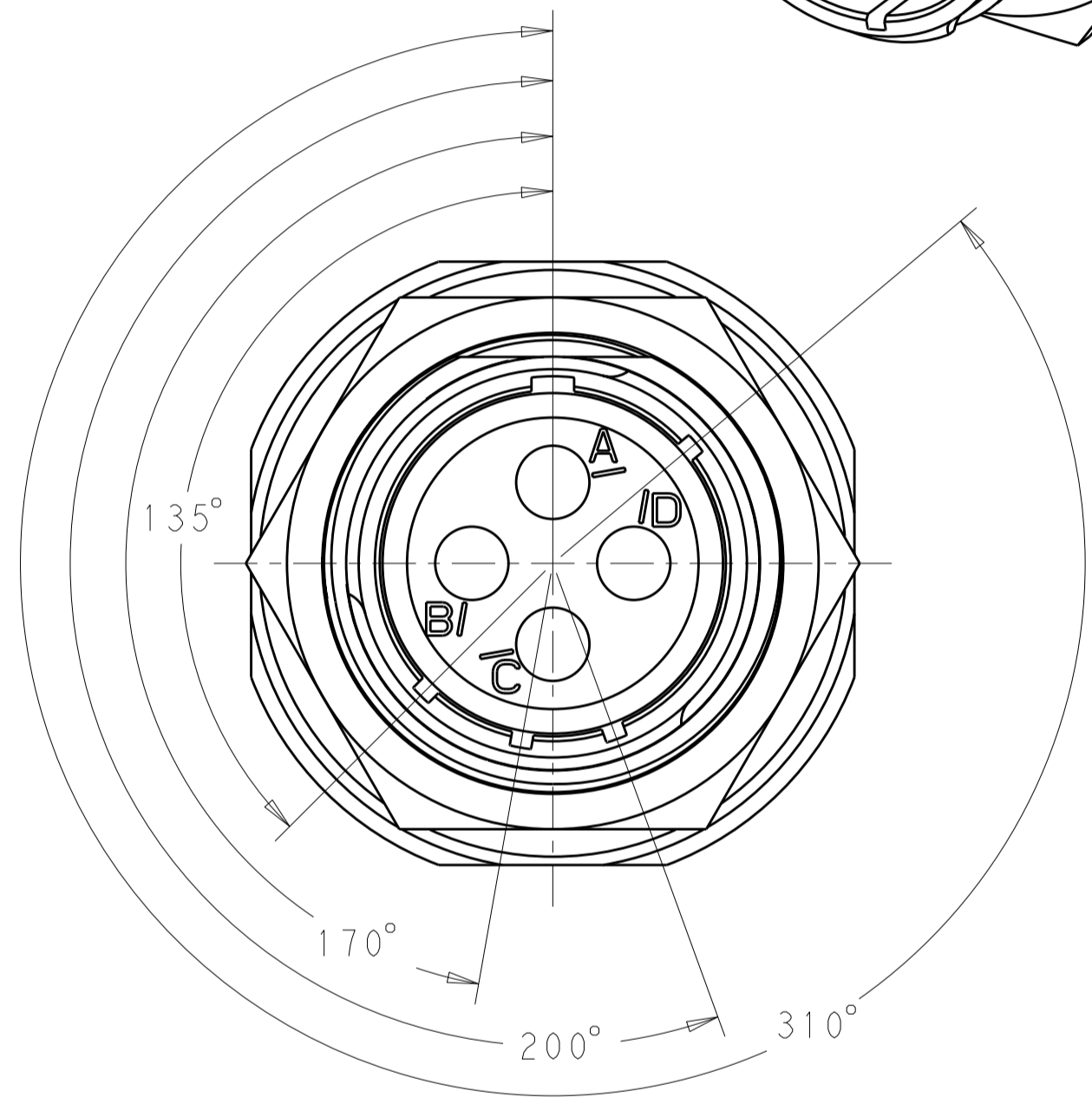
THIS DRAWING IS UNPUBLISHED. RELEASED FOR PUBLICATION 20  
 © COPYRIGHT 20 BY - ALL RIGHTS RESERVED.

LOC	DIST	REVISIONS				
P	LTR	DESCRIPTION	DATE	DWN	APVD	
-	-	SEE SHEET 1	-	-	-	

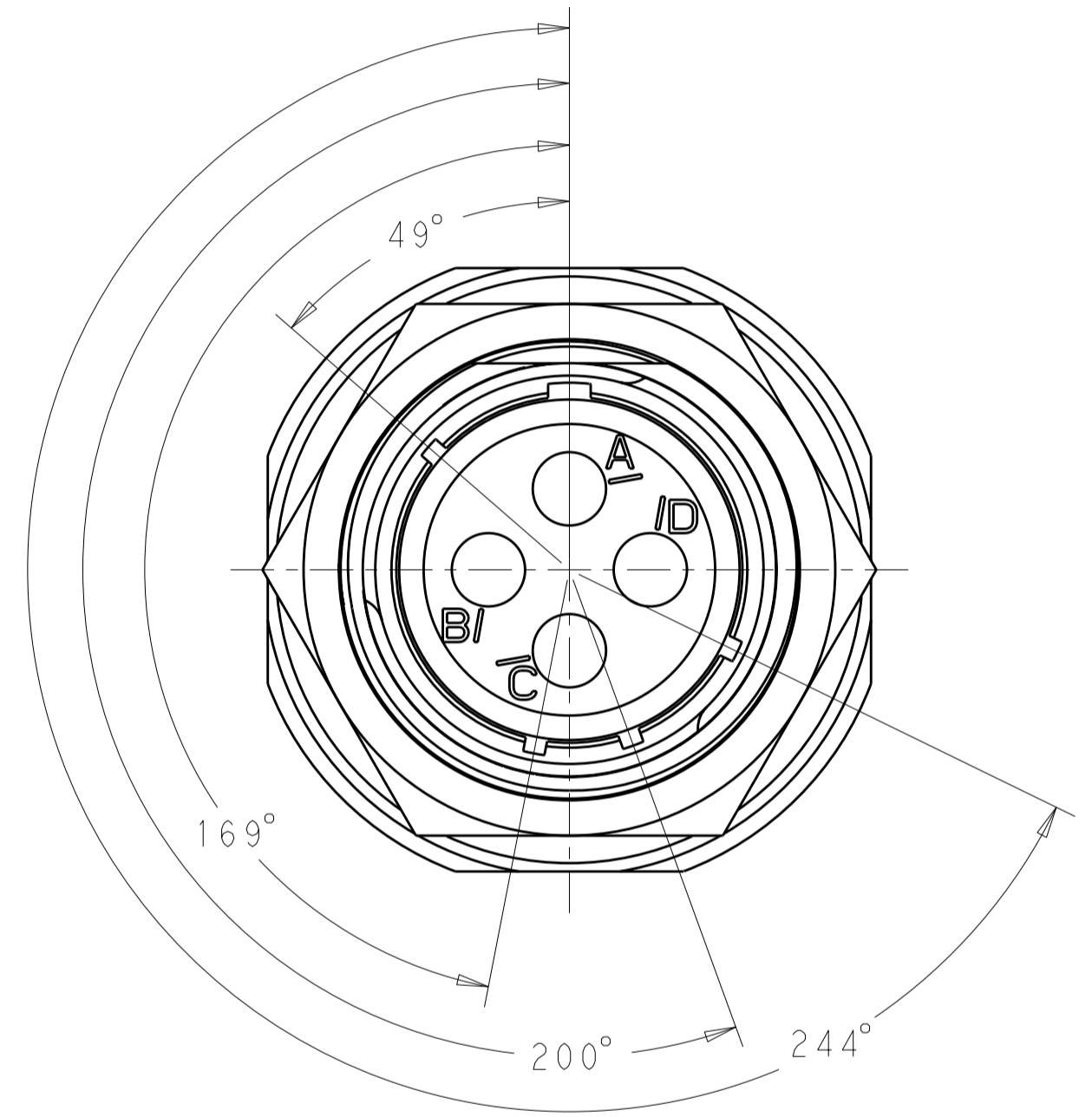
KEYING ID




"N" 38999 KEYING



"A" 38999 KEYING



"B" 38999 KEYING

THIS DRAWING IS A CONTROLLED DOCUMENT.		DWN K. GLATFELTER 11OCT2011	 TE Connectivity	
DIMENSIONS: INCHES		CHK D. MILLER 07OCT2011		
TOLERANCES UNLESS OTHERWISE SPECIFIED:		APVD D. MILLER 07OCT2011	NAME RECEPTACLE, 38999 SERIES III, SIZE 19, JAM NUT STYLE, 404	
0 PLC ±	1 PLC ±	PRODUCT SPEC	SIZE	CAGE CODE
2 PLC ±	3 PLC ±	APPLICATION SPEC	A200779	C=2157696
4 PLC ±	ANGLES ±	WEIGHT	DRAWING NO	
FINISH	FINISH	CUSTOMER DRAWING	RESTRICTED TO	
MATERIAL		SCALE 3:1	SHEET 2 OF 2	REV A