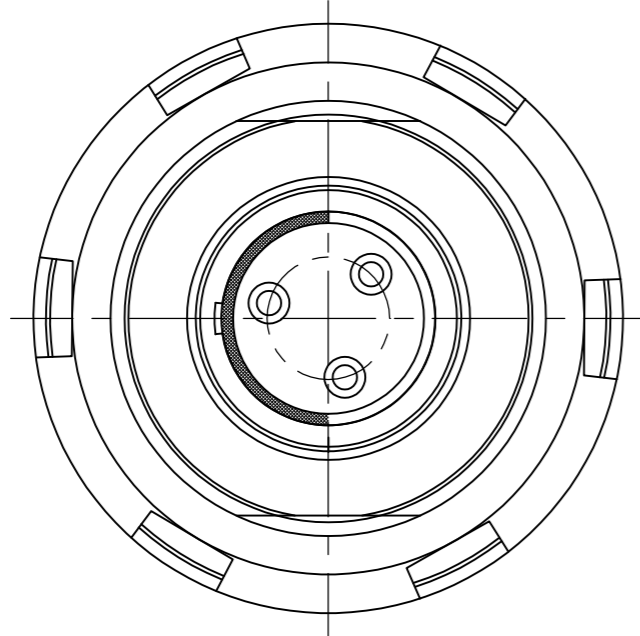
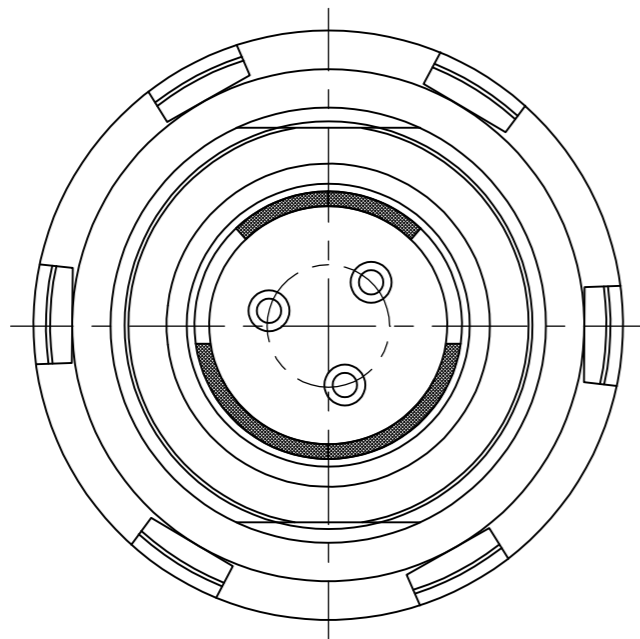


THIS DRAWING IS UNPUBLISHED. RELEASED FOR PUBLICATION  
 © COPYRIGHT - By - ALL RIGHTS RESERVED.

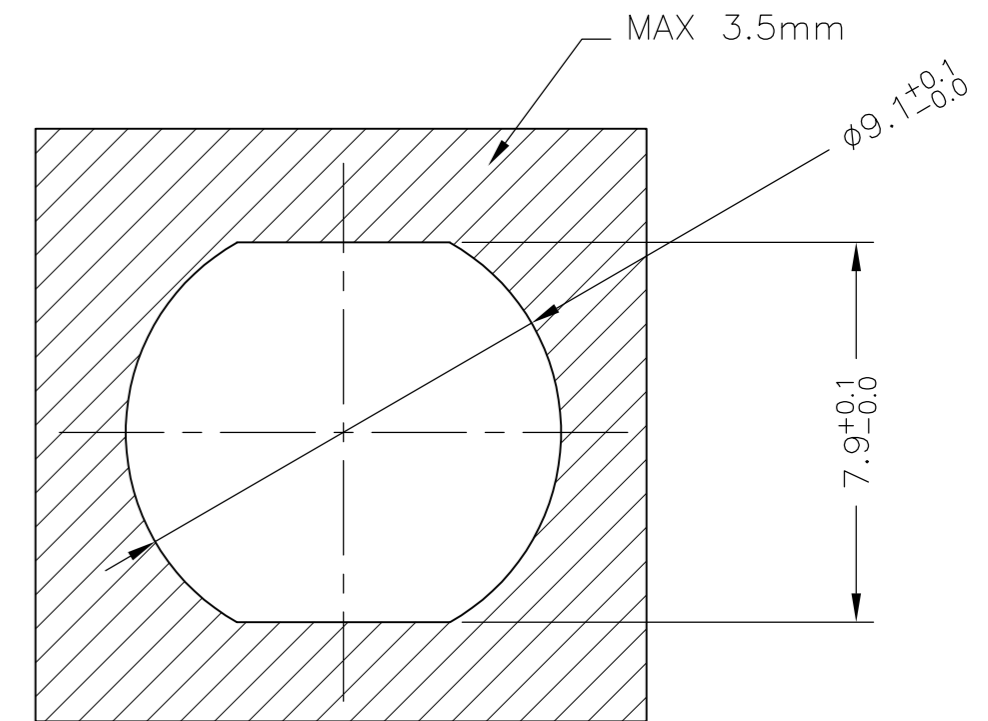
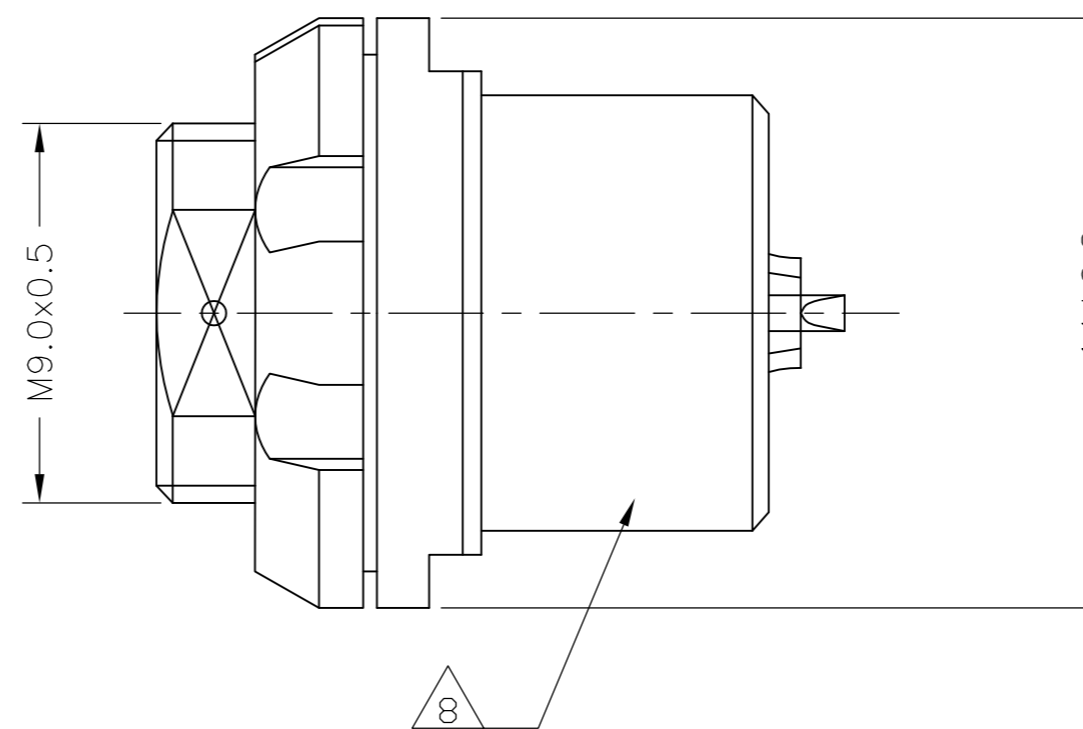
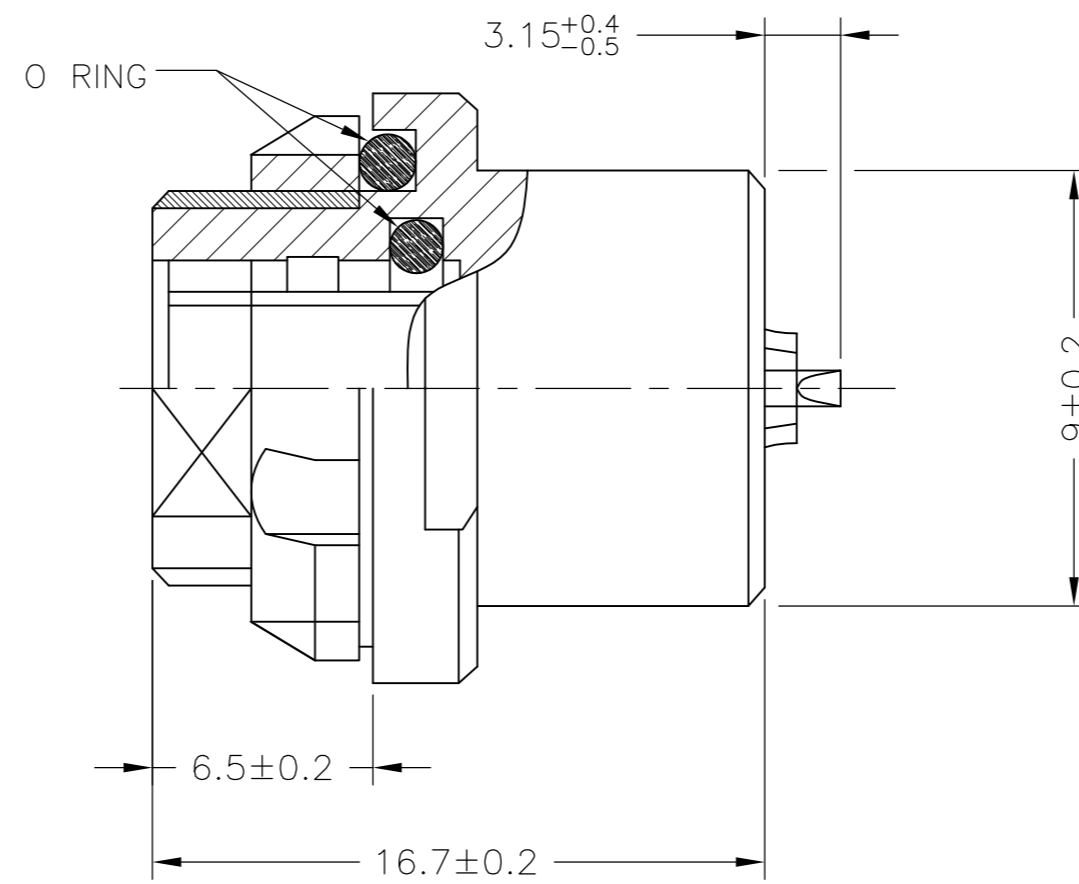
LOC		DIST		REVISIONS			
P	LTR	DESCRIPTION		DATE	DWN	APVD	
C		REVISED PER ECO 13-001843.		08FEB2013	MGM	CT	



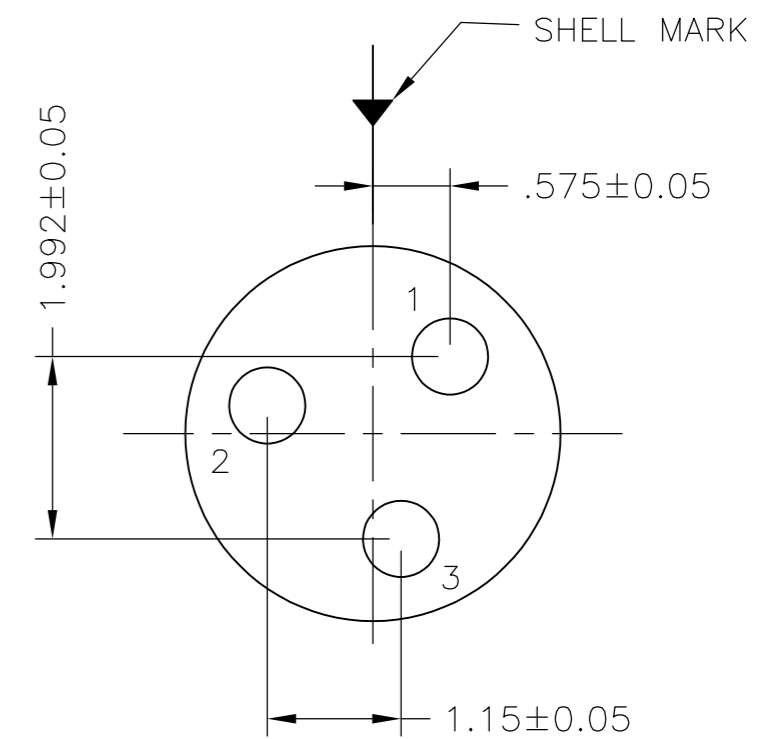
SINGLE POLARIZATION



DOUBLE POLARIZATION



PANEL CUTOUT



CAVITY IDENTIFICATION WHEN VIEWED FROM MATING FACE OF CONNECTOR

- 1. UNLESS OTHERWISE SPECIFIED DIMENSIONS TOLERANCE ARE ±0.2
- 2. DWV RATING: 875VAC @ SEA LEVEL
- 3. WORKING TEMPERATURE: -55°C ~+125°C

4 MATERIAL:  
 CONTACT : COPPER ALLOY  
 SHELL : COPPER ALLOY  
 INSULATOR : PEEK  
 O RING : SILICONE RUBBER

5 FINISH  
 CONTACT: GOLD OVER NICKEL  
 SHELL : BLACK CHROMIUM

- 6. WATER PROOF: 1M IMMERSION
- 7. WIRE SIZE: 22 AWG MAX.

8 THE PART IS MARKED WITH THE TE PART NUMBER, CHINA, DATE CODE AND LOT I.D.

9 ALL TOLERANCES TO BE ±0.20 MM UNLESS NOTED.

1	CHROMIUM-BLACK	DOUBLE	SOLDERING	2157738-2
1	CHROMIUM-BLACK	SINGLE	SOLDERING	2157738-1
SHELL SIZE	FINISH	POLARIZATION	TERMINATION	TE CONNECTIVITY PART NUMBER

THIS DRAWING IS A CONTROLLED DOCUMENT.		DWN C.C THOMAS 20AUG2011		
DIMENSIONS: mm		CHK R. GROSS 20AUG2011		
TOLERANCES UNLESS OTHERWISE SPECIFIED:		APVD R. GROSS 20AUG2011	NAME	
0 PLC ± - 9 1 PLC ± - 2 PLC ± 0.20 3 PLC ± - 4 PLC ± - ANGLES ± 3°		PRODUCT SPEC 108-127005	CIRCULAR HD RECEPTACLE WITH SOLDER CUP SOCKETS CONTACTS - 3 POS	
MATERIAL 4		FINISH 5	SIZE A2	RESTRICTED TO
CUSTOMER DRAWING		WEIGHT -	CAGE CODE 00779	DRAWING NO C=2157738
		SCALE NTS	SHEET 1 of 1	REV C