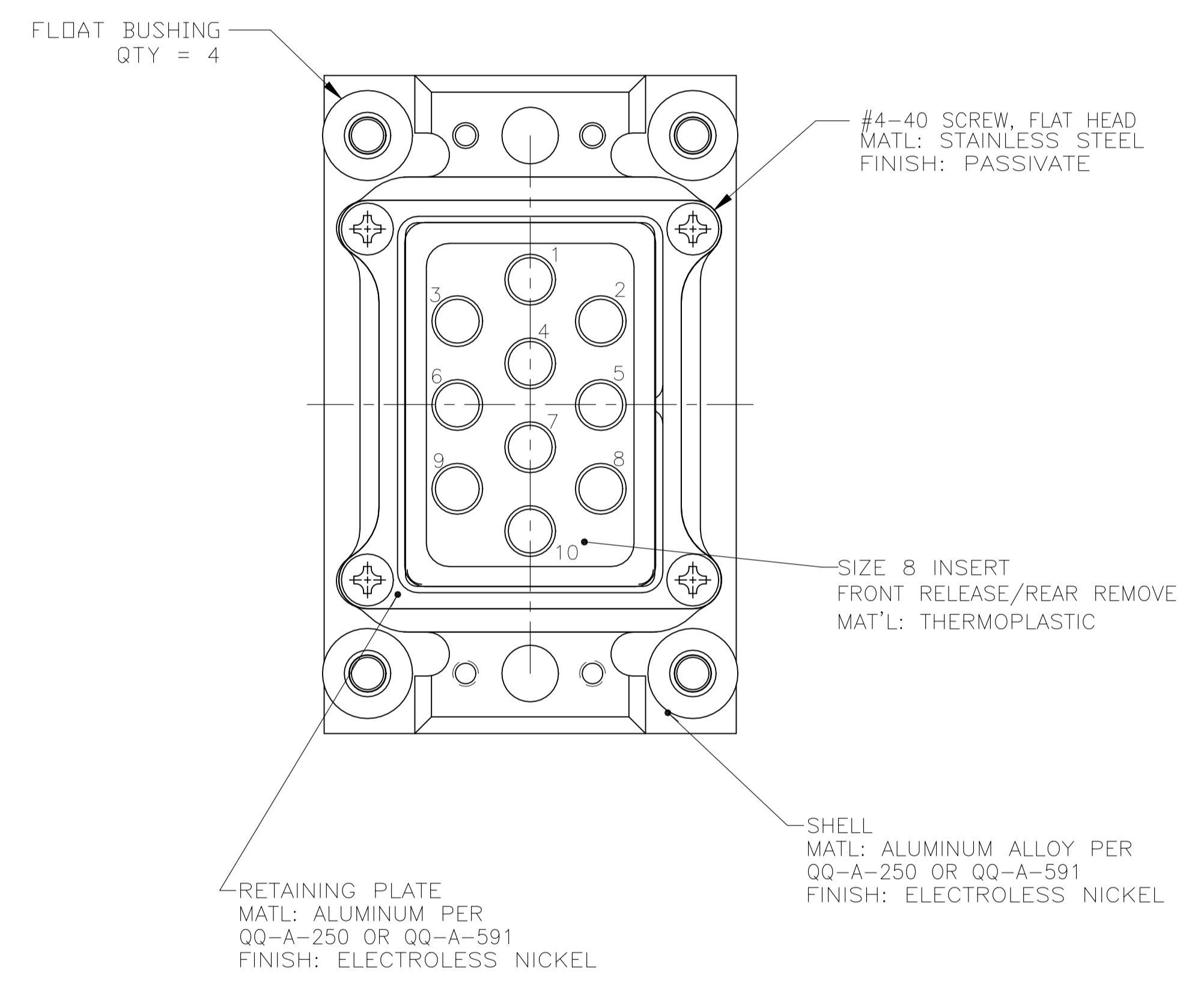
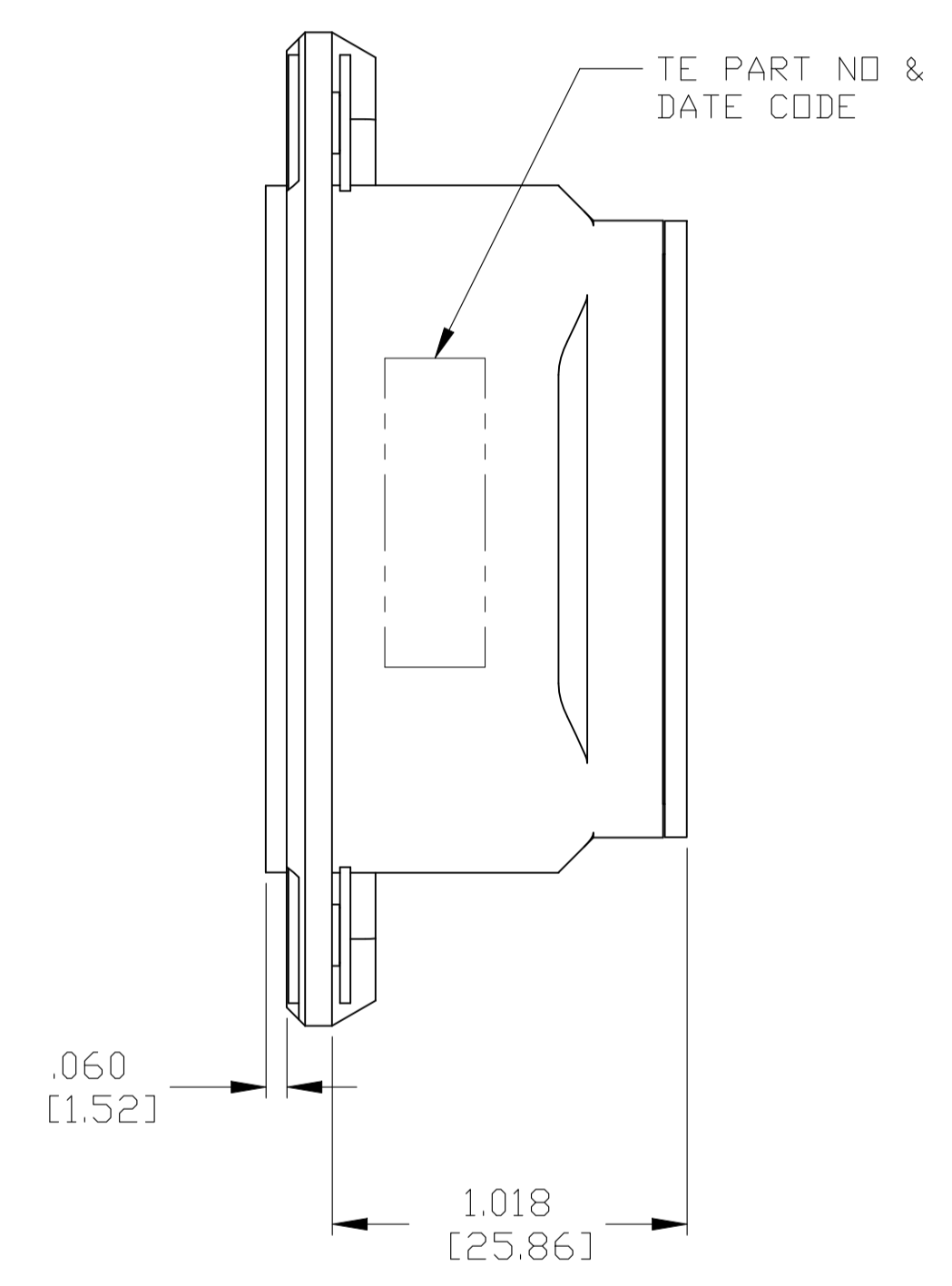
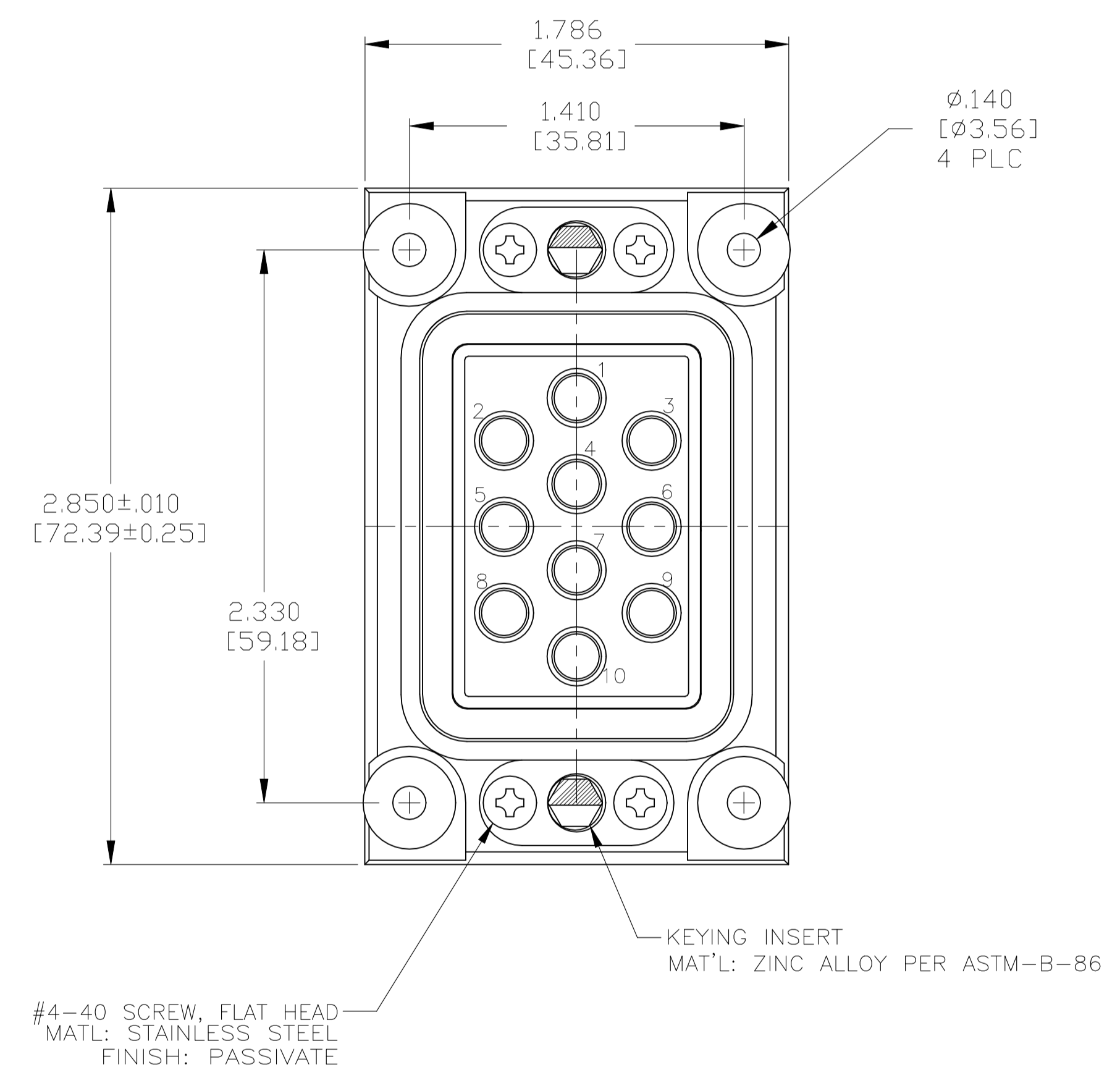


REVISIONS					
P	LTR	DESCRIPTION	DATE	DN	APVD
E		REV PER ECO 21-006547	6-9-21	CT	DC



- KEYING INSTALLED IN POSITION PER TABLE.
- DUST COVER INSTALLED, NOT SHOWN FOR CLARITY.
- SIZE 8 CONTACTS ARE NOT INCLUDED, MUST BE ORDERED SEPARATELY, CONTACTS ARE SNAP IN AND REMOVABLE.

"22"	2157915-2
"04"	2157915-1
KEYING POSITION	PART NO.

THIS DRAWING IS A CONTROLLED DOCUMENT.

DIMENSIONS: INCHES	TOLERANCES UNLESS OTHERWISE SPECIFIED: 0. PLC ± - 1. PLC ± - 2. PLC ± - 3. PLC ± .005 [0.13] 4. PLC ± - ANGLES ± ± -	DIN C.C.THOMAS 4-10-12 CIRK 4-10-12 W.BERNHART 4-10-12 W.BERNHART 4-10-12	NAME SINGLE MOD.RECEPTACLE CONNECTOR ASSEMBLY,ARINC 600
MATERIAL SEE CALLOUTS	FINISH SEE CALLOUTS	WEIGHT 0.000000	SIZE A1
CUSTOMER DRAWING		SCALE 2:1	SHEET 1 of 1

STC TE Connectivity