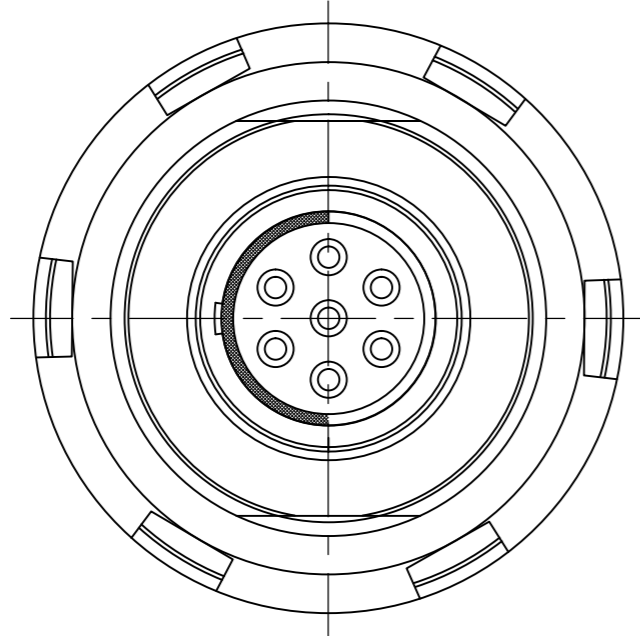
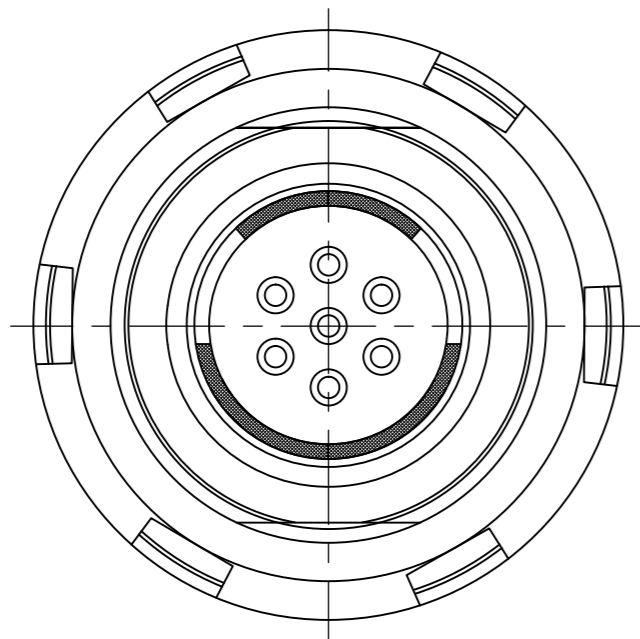


THIS DRAWING IS UNPUBLISHED. RELEASED FOR PUBLICATION
 © COPYRIGHT - By - ALL RIGHTS RESERVED.

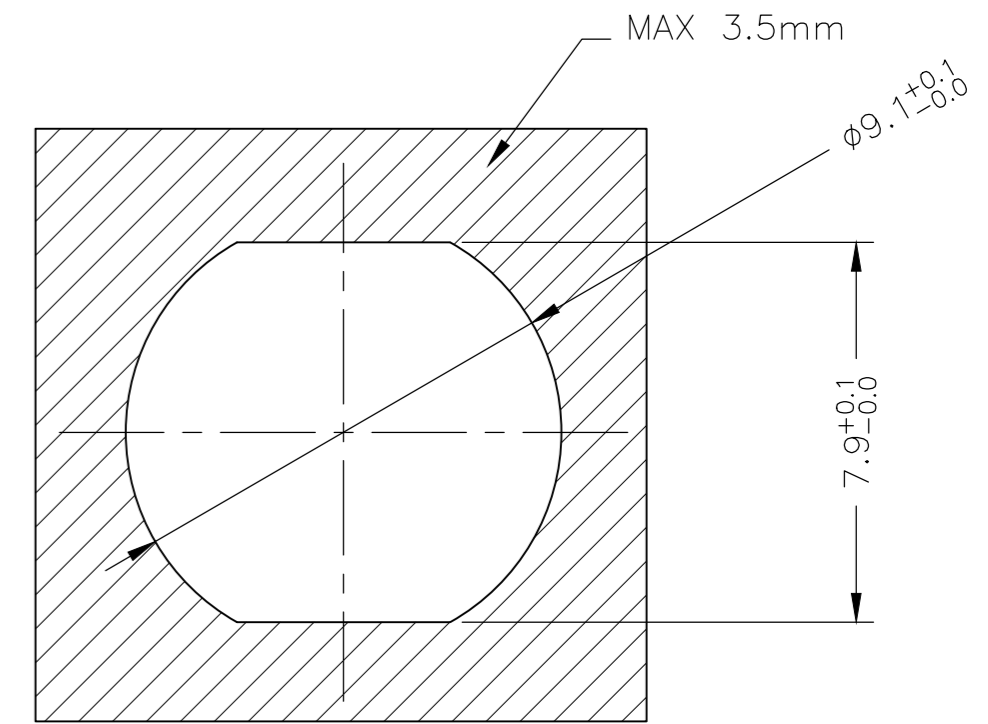
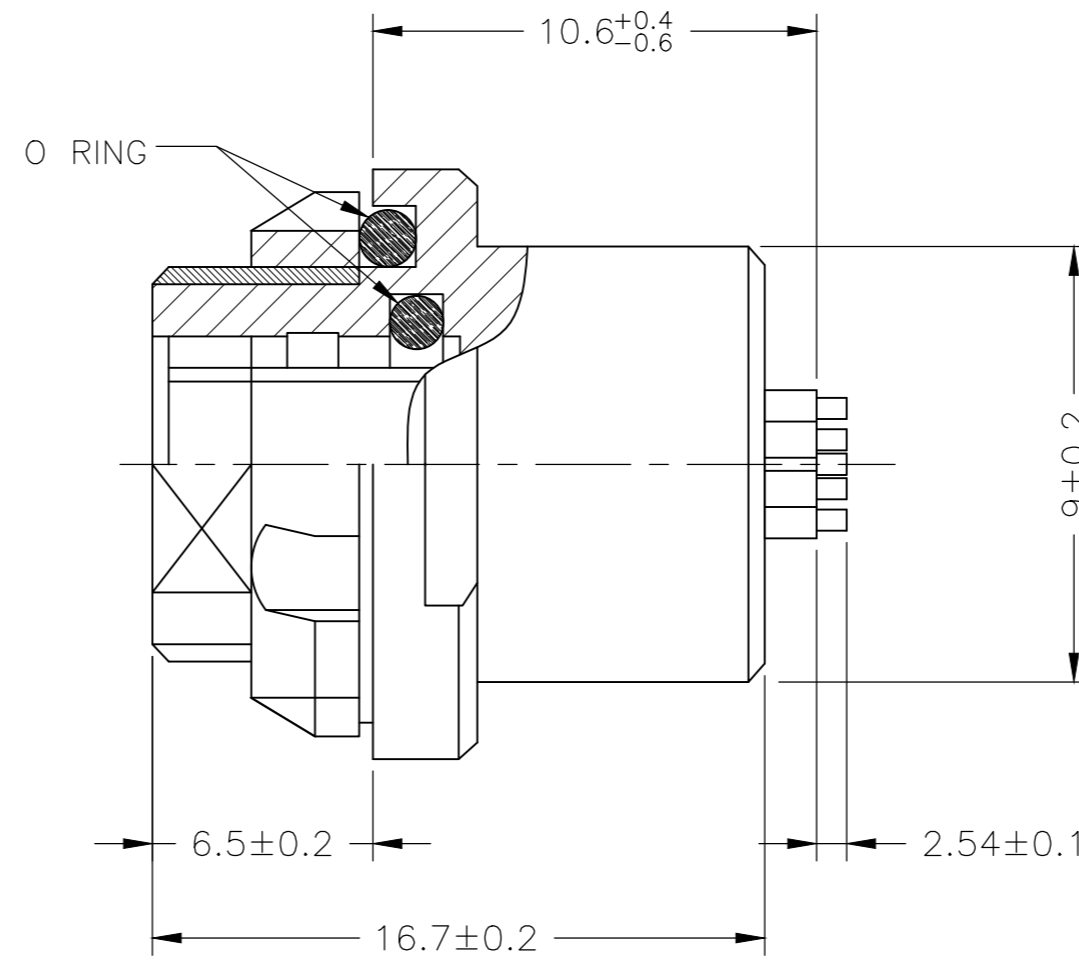
LOC		DIST		REVISIONS			
P	LTR	DESCRIPTION	DATE	DWN	APVD		
B		REVISED PER ECO 14-007665	27AUG2014	MGM	CT		



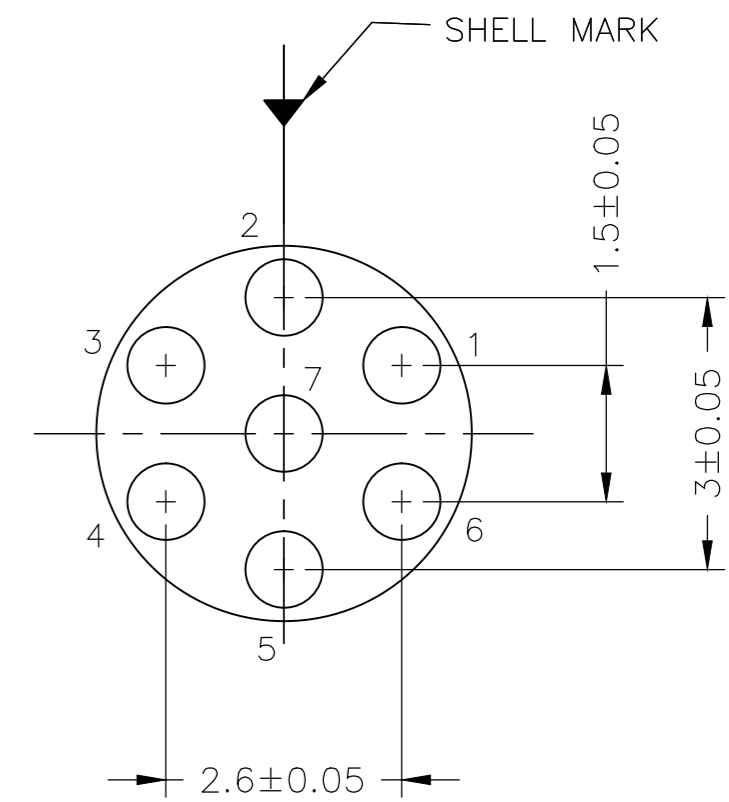
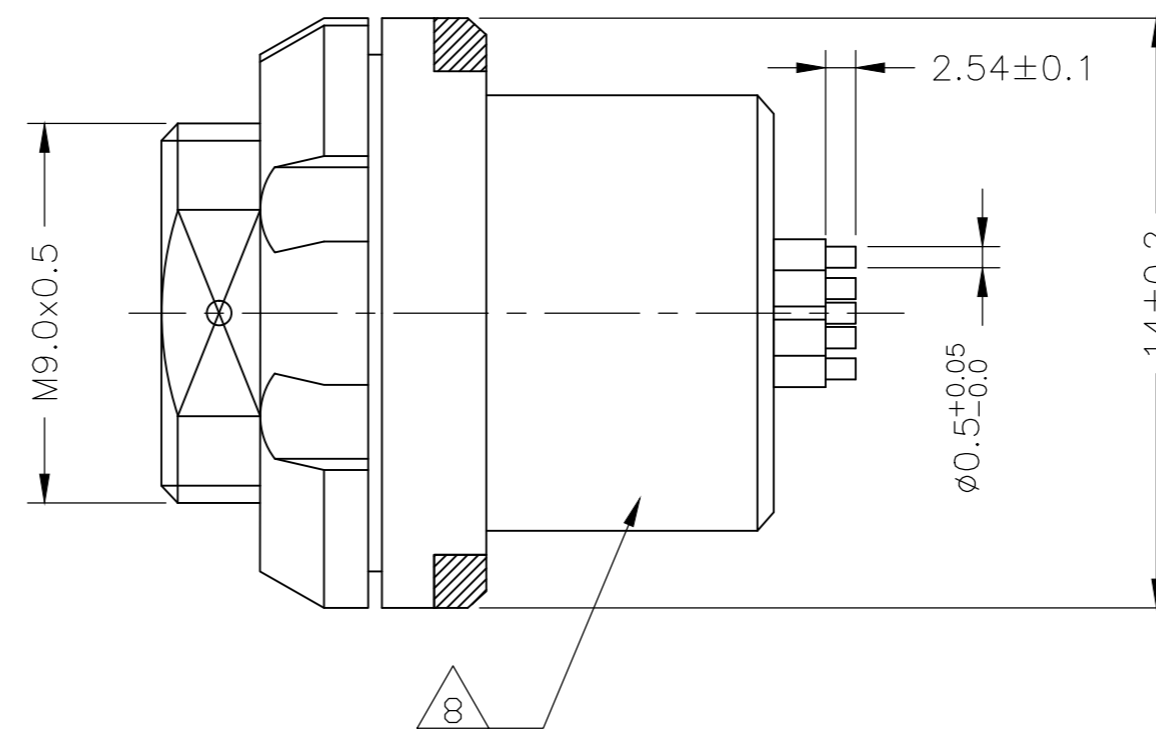
SINGLE POLARIZATION



DOUBLE POLARIZATION



PANEL CUTOUT



CAVITY IDENTIFICATION WHEN VIEWED FROM MATING FACE OF CONNECTOR

- 1. UNLESS OTHERWISE SPECIFIED DIMENSIONS TOLERANCE ARE ±0.2
- 2. DWV RATING: 875VAC @ SEA LEVEL
- 3. WORKING TEMPERATURE: -55°C ~+125°C

4 MATERIAL:
 CONTACT : COPPER ALLOY
 SHELL : COPPER ALLOY
 INSULATOR : PEEK
 O RING : SILICONE RUBBER

5 FINISH
 CONTACT: GOLD OVER NICKEL
 SHELL : BLACK CHROMIUM

- 6. WATER PROOF: 1M IMMERSION
- 7. WIRE SIZE: 22 AWG MAX.

8 THE PART IS MARKED WITH THE TE PART NUMBER, CHINA, DATE CODE AND LOT I.D.

CHROMIUM-BLACK	DOUBLE	PCB	2157949-2
CHROMIUM-BLACK	SINGLE	PCB	2157949-1
FINISH	POLARIZATION	TERMINATION	TE CONNECTIVITY PART NUMBER

THIS DRAWING IS A CONTROLLED DOCUMENT.		DWN C.C THOMAS 06APR2012		
DIMENSIONS: mm		CHK R. GROSS 06APR2012		
TOLERANCES UNLESS OTHERWISE SPECIFIED:		APVD R. GROSS 06APR2012	NAME	
0 PLC ± -		PRODUCT SPEC	CIRCULAR HD SIZE 1 RECEPTACLE WITH PCB SOCKETS CONTACTS - 7 POS	
1 PLC ± -		APPLICATION SPEC	-	
2 PLC ± 0.20		108-127005	SIZE	CAGE CODE
3 PLC ± -		-	A2	00779
4 PLC ± -		WEIGHT	DRAWING NO	
ANGLES ± 3°		-	C=2157949	
MATERIAL	FINISH	CUSTOMER DRAWING	SCALE	SHEET
4	5		NTS	1 of 1
			RESTRICTED TO	REV
				B