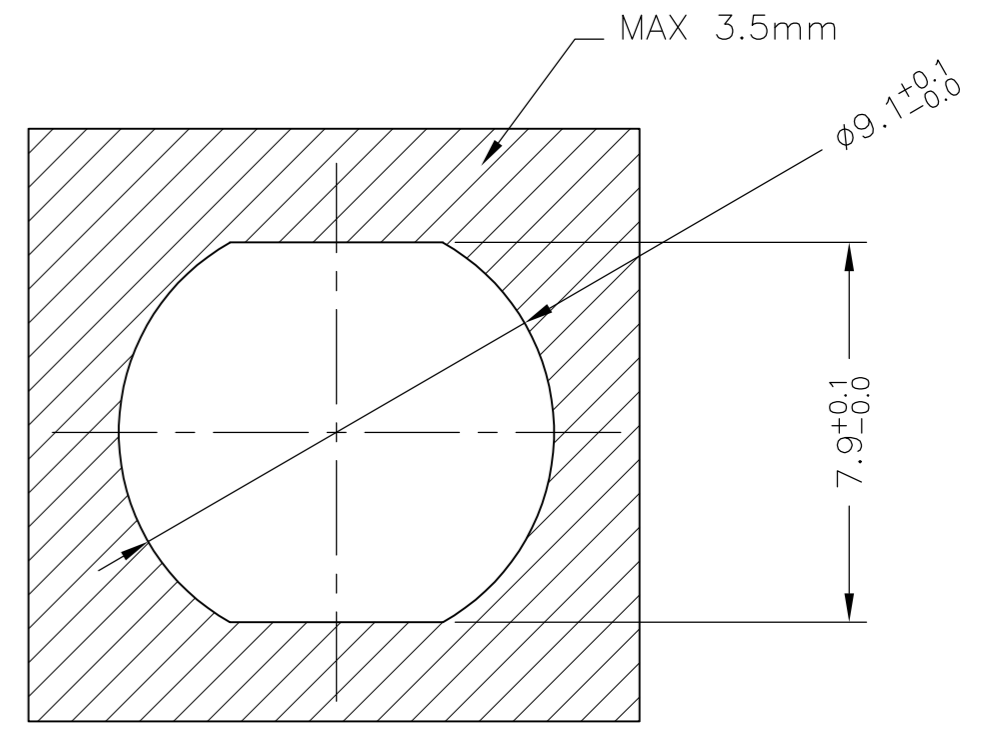
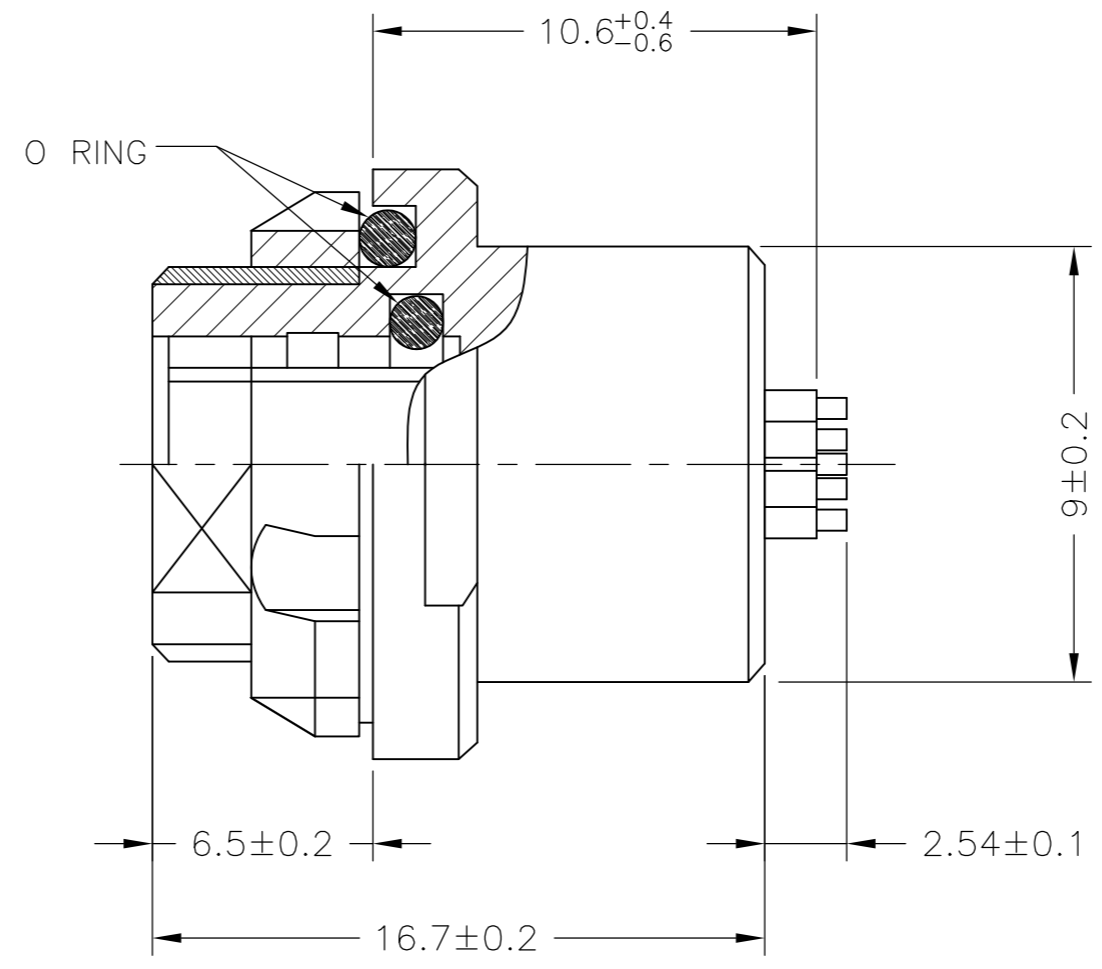
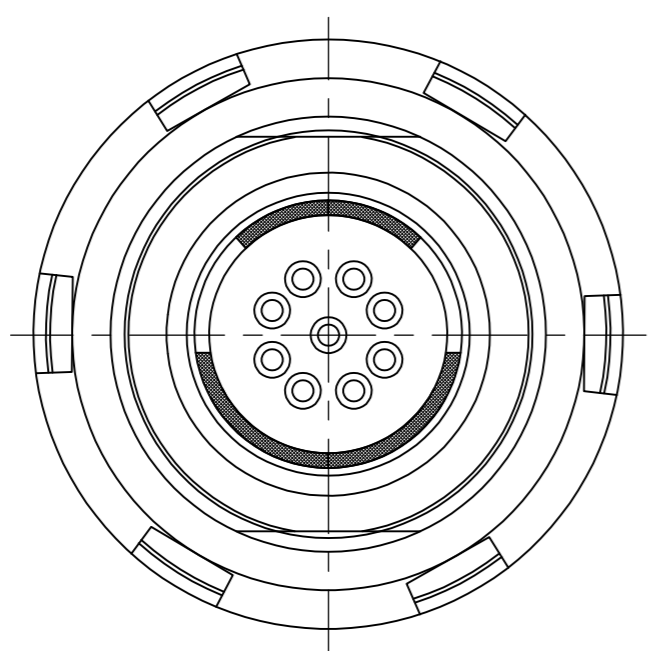


THIS DRAWING IS UNPUBLISHED. RELEASED FOR PUBLICATION  
 © COPYRIGHT - By - ALL RIGHTS RESERVED.

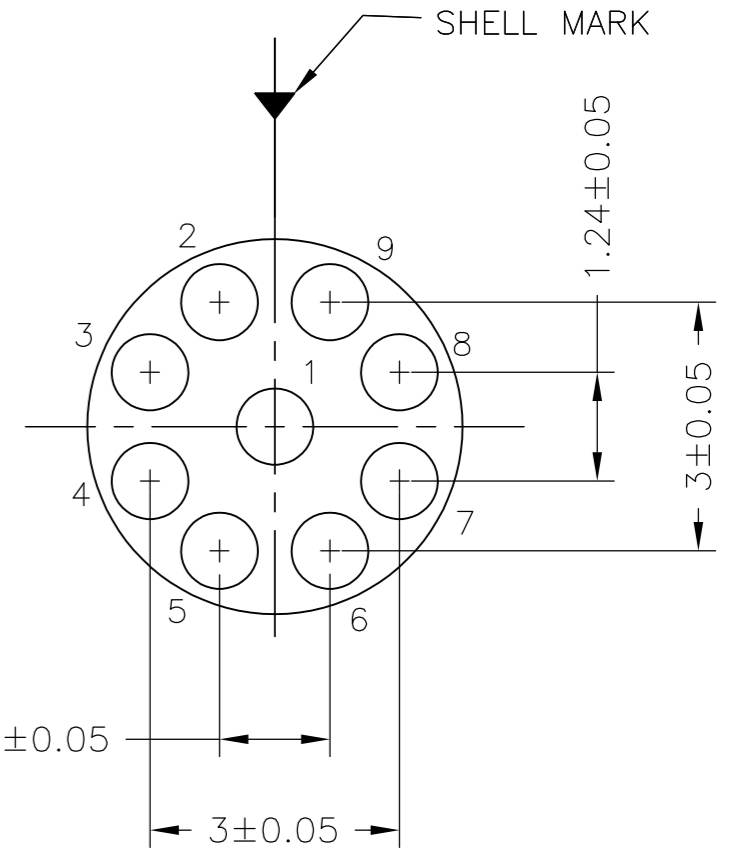
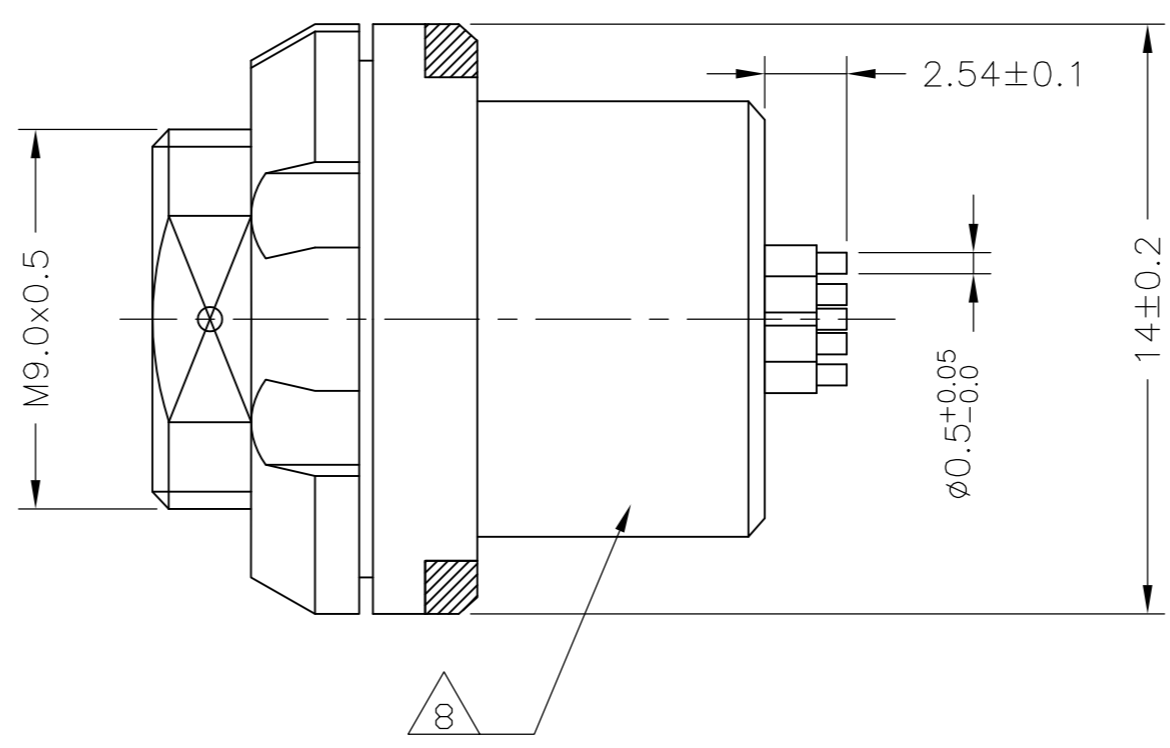
LOC		DIST		REVISIONS			
P	LTR	DESCRIPTION	DATE	DWN	APVD		
B		REV PER ECO-12-013349	20JUL12	PY	RG		



PANEL CUTOUT



DOUBLE POLARIZATION



CAVITY IDENTIFICATION WHEN VIEWED FROM MATING FACE OF CONNECTOR

- 1. UNLESS OTHERWISE SPECIFIED DIMENSIONS TOLERANCE ARE ±0.2
- 2. DWV RATING: 875VAC @ SEA LEVEL
- 3. WORKING TEMPERATURE: -55°C ~+125°C

4 MATERIAL:  
 CONTACT : COPPER ALLOY  
 SHELL : COPPER ALLOY  
 INSULATOR : PEEK  
 O RING : SILICONE RUBBER

5 FINISH  
 CONTACT: GOLD OVER NICKEL  
 SHELL : BLACK CHROMIUM

- 6. WATER PROOF: 1M IMMERSION
- 7. WIRE SIZE: 28 AWG MAX.

8 THE PART IS MARKED WITH THE TE PART NUMBER, CHINA, DATE CODE AND LOT I.D.

2	CHROMIUM-BLACK	DOUBLE	PCB	2157952-1
SHELL SIZE	FINISH	POLARIZATION	TERMINATION	TE CONNECTIVITY PART NUMBER

THIS DRAWING IS A CONTROLLED DOCUMENT.		DWN	10APR2012	 TE Connectivity CIRCULAR HD RECEPTACLE WITH SOLDER CUP SOCKETS CONTACTS - 9 POS	
DIMENSIONS: mm		CHK	10APR2012		
TOLERANCES UNLESS OTHERWISE SPECIFIED:		APVD	10APR2012		
0 PLC ± - 1 PLC ± - 2 PLC ± 0.20 3 PLC ± - 4 PLC ± - ANGLES ± 3°		NAME			
MATERIAL	FINISH	PRODUCT SPEC	108-127005	SIZE	A2
4	5	APPLICATION SPEC		CAGE CODE	00779
		WEIGHT	-	DRAWING NO	C=2157952
		CUSTOMER DRAWING		RESTRICTED TO	-
		SCALE	NTS	SHEET	1 of 1
		REV	B		