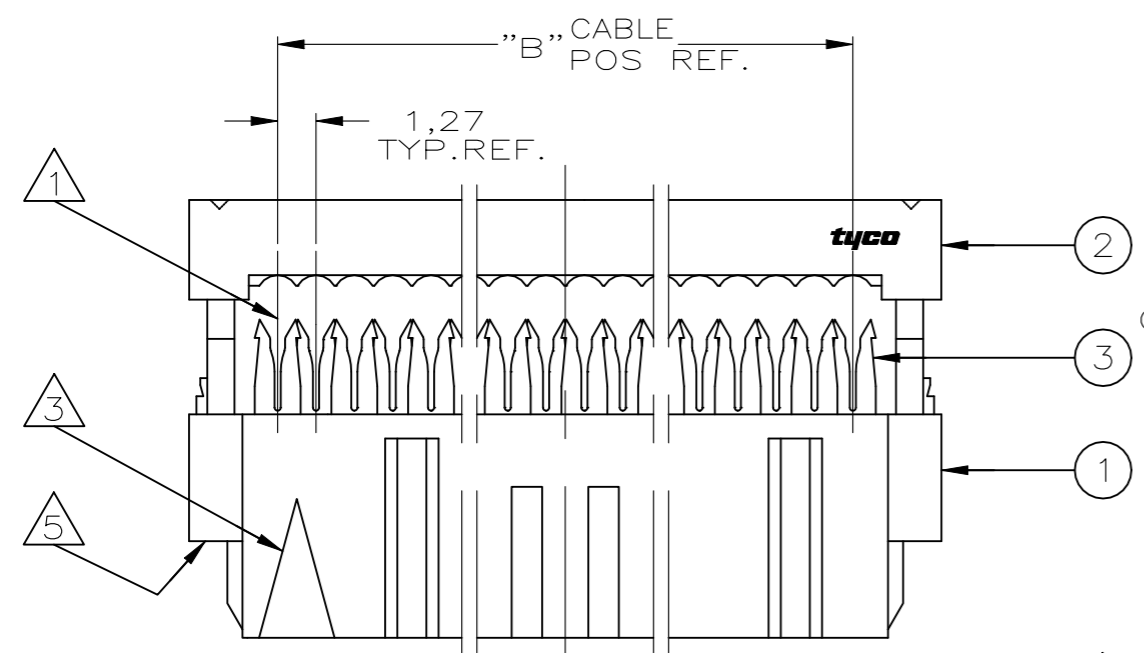
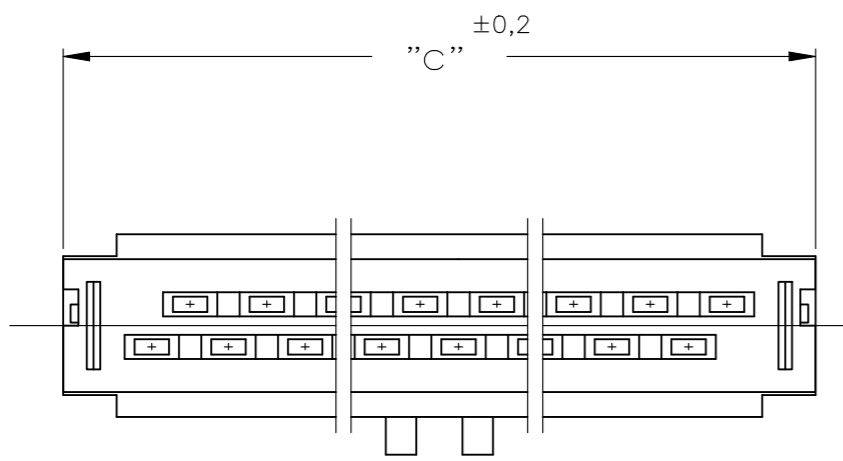


REVISIONS

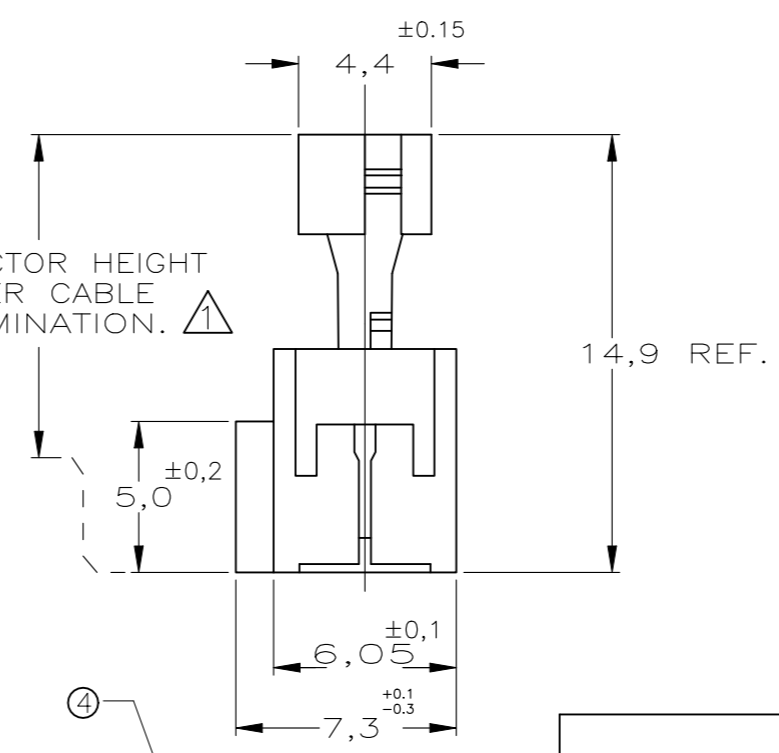
P	LTR	DESCRIPTION	DATE	DWN	APVD
E1		REVISED PER ECR-21-115231	07JUN2023	GC	WH

NOTES:

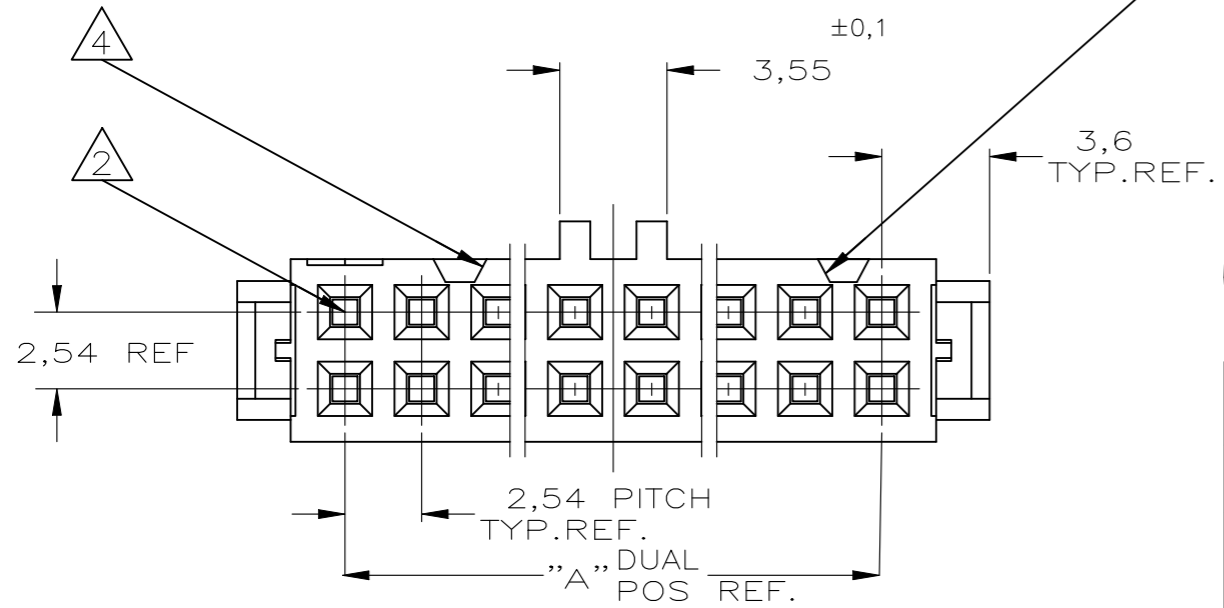
- 1 CONNECTOR IS DESIGNED FOR FLAT RIBBON CABLE ON 1,27 CENTERS . FOR CABLE REQUIREMENTS SEE AMP APPLICATION SPECIFICATION 114-19022.
- 2 THESE RECEPTACLE CONNECTORS MATE WITH 0,64^{±0,05}mm SQUARE OR ROUND POSTS ON 2,54mm GRID.
- 3 MARK INDICATING FIRST CABLE POSITION REFERRING TO CONTACT POSITION.
- 4 THERE IS NO POLARIZATION-SLOT AT THIS END IN 4, 6, 8, 10 AND 14 POS CONNECTORS.
- 5 THESE CONNECTORS CAN BE USED IN CONJUNCTION WITH STRAIN-RELIEF COVERS OF PARTNR: 100103.
- 6 THERE IS NO POLARIZATION-SLOT AT THIS END IN 4, 6, AND 8 POS CONNECTORS.
- 7 PRODUCT SPECIFICATION 108-19033.



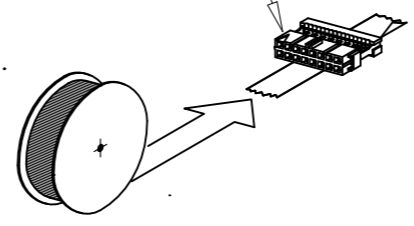
CONNECTOR HEIGHT AFTER CABLE TERMINATION. 1



QUANTITY PER REEL	DIM."C"	"B" CABLE POS.	"A" DUAL POS.	PARTNUMBER	PART REV.
1000	85,9	64	32	6-215919-4	D
1000	80,8	60	30	6-215919-0	D
1000	68,1	50	25	5-215919-0	D
1500	60,5	44	22	4-215919-4	D
1500	55,4	40	20	4-215919-0	D
1500	47,8	34	17	3-215919-4	D
1500	37,6	26	13	2-215919-6	D
1500	30,0	20	10	2-215919-0	D
1500	24,9	16	8	1-215919-6	D
1500	22,4	14	7	1-215919-4	D
1500	17,3	10	5	1-215919-0	D
OBSOLETE	1500	14,8	8	0-215919-8	C
1500	12,2	6	3	0-215919-6	D
OBSOLETE	1500	9,7	4	0-215919-4	C



3	RECEPTACLE CONTACT	PHOSPHORBRONZE Cu Sn6	AT CONTACT-PLACE: 0,2µm GOLD AT WIRING END: 2,5µm TIN ENTIRE UNDERCOATING: 1,27µm NICKEL
2	COVER	THERMOPLASTIC POLYESTER GF UL 94 -V0	BLACK BK015 ONLY FOR REF.
1	HOUSING		
COMPONENT NAME		MATERIAL	PLATING / COLOUR



THIS DRAWING IS A CONTROLLED DOCUMENT.

DIMENSIONS:	TOLERANCES UNLESS OTHERWISE SPECIFIED:
mm	
0 PLC	± -
1 PLC	± -
2 PLC	± -
3 PLC	± -
4 PLC	± -
ANGLES	± -
MATERIAL	FINISH
-	-

DWN R.HOGEVEEN 02-02-88
 CHK R.VERSTIJNEN 03-02-88
 APVD L.V.SOEST 03-02-88
 PRODUCT SPEC
 APPLICATION SPEC
 WEIGHT -

STE TE Connectivity

AMP-LATCH MIL-TYPE REC.
 CONN. ASS'Y 14,9 PRE-ASM
 0.2u Au-TAPE MOUNTED ON REEL

SIZE A3 CAGE CODE 00779 DRAWING NO C-215919 RESTRICTED TO -

CUSTOMER DRAWING SCALE 1:1 SHEET 1 OF 1 REV E1