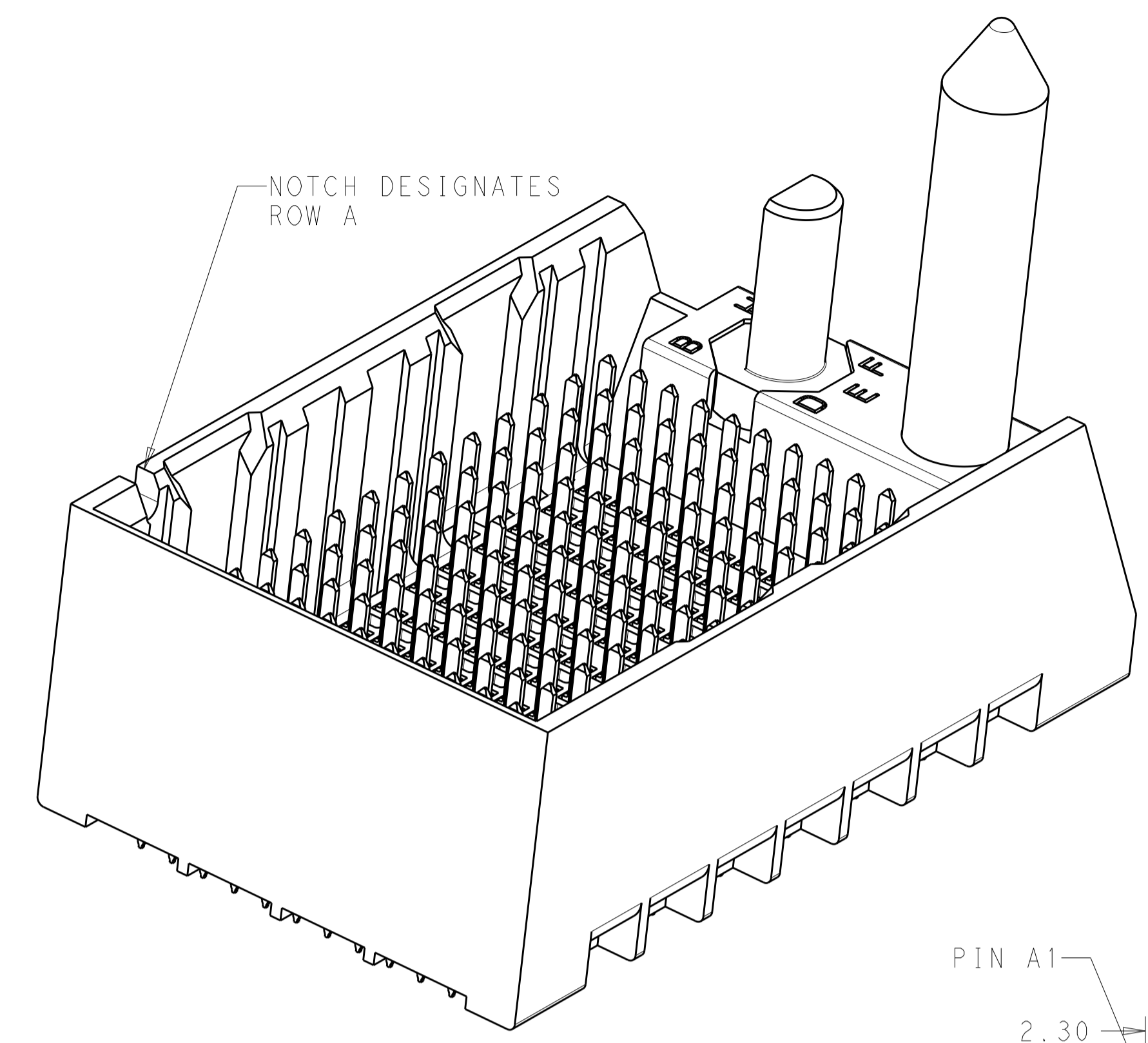
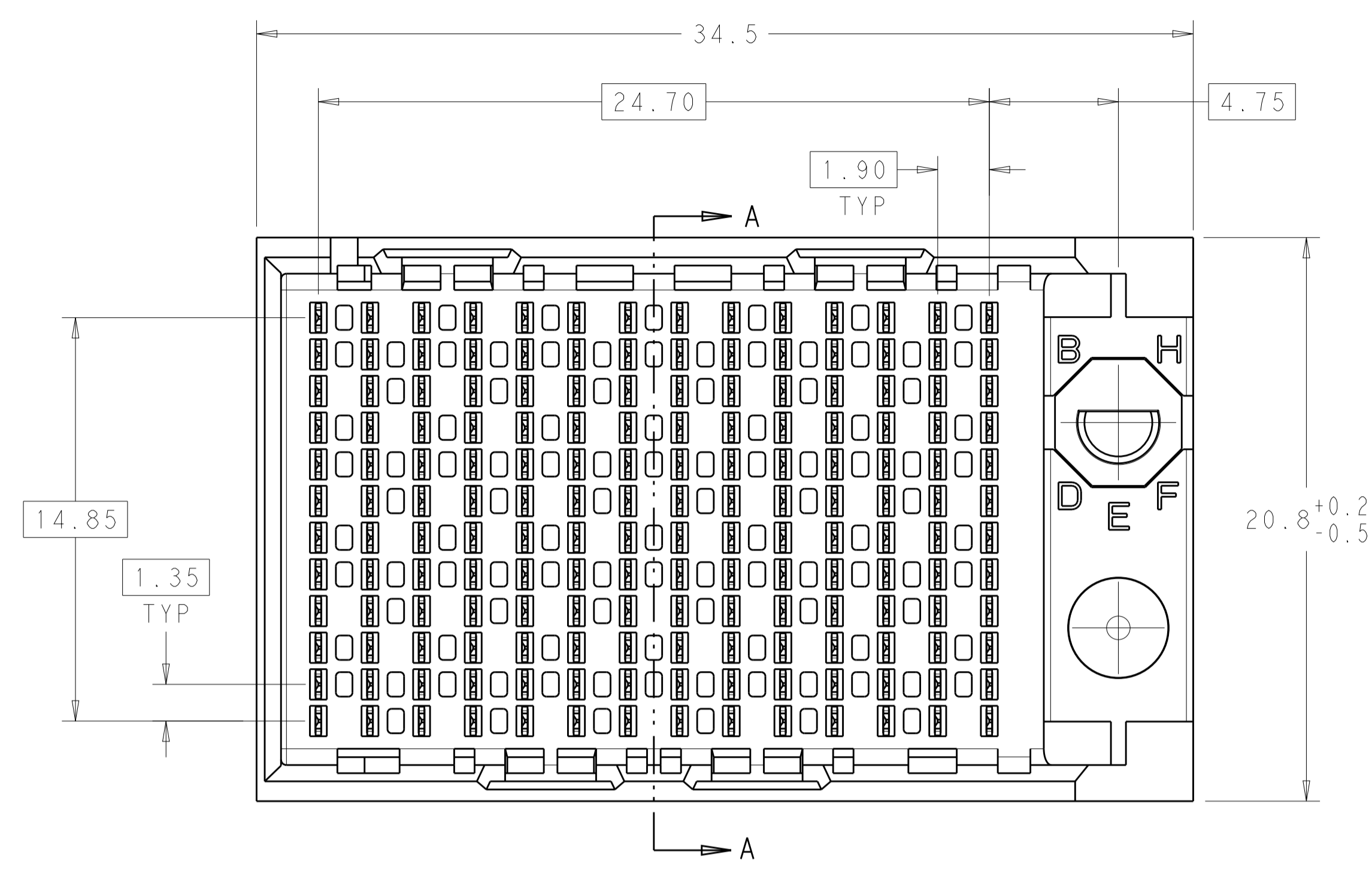
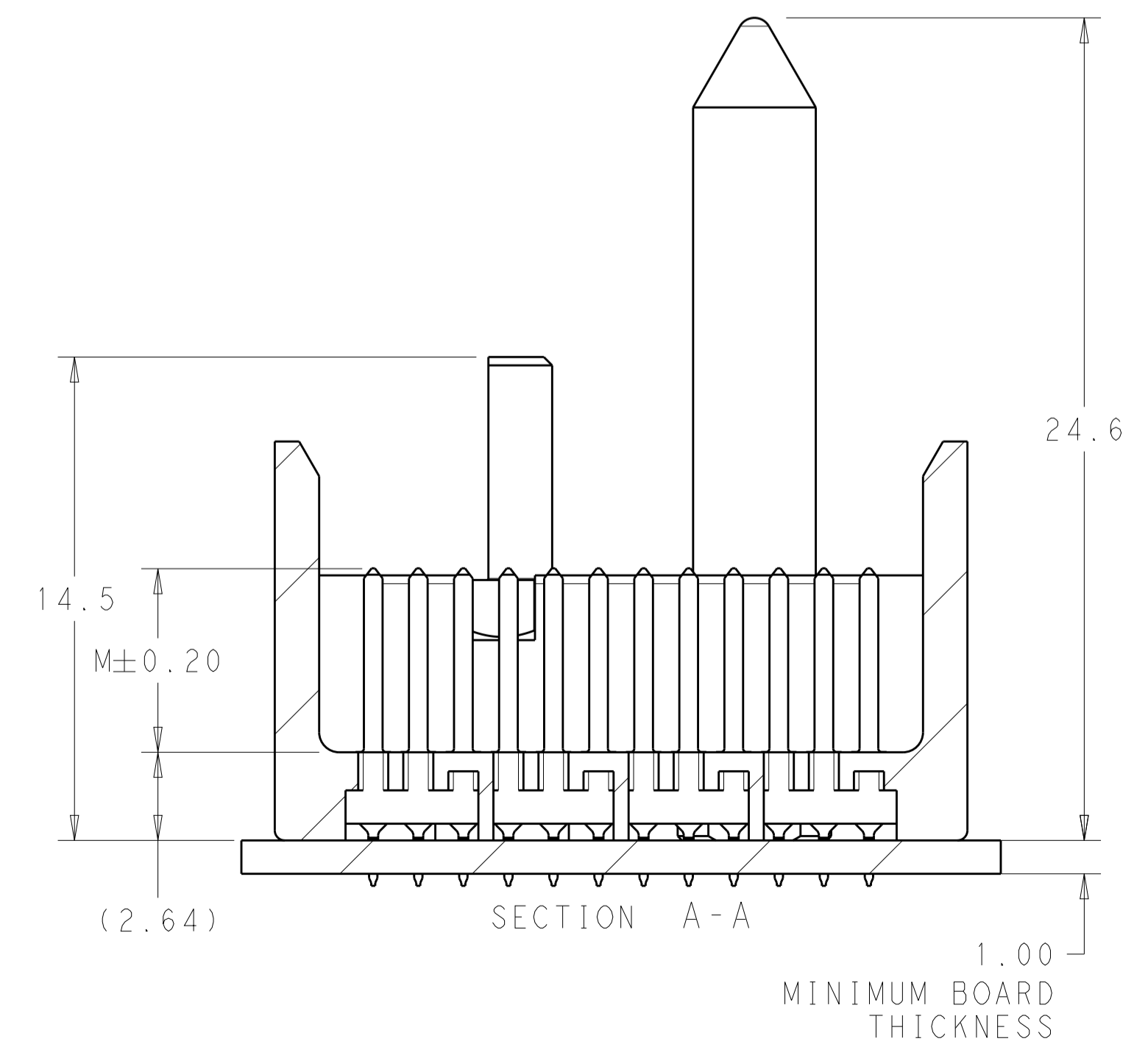
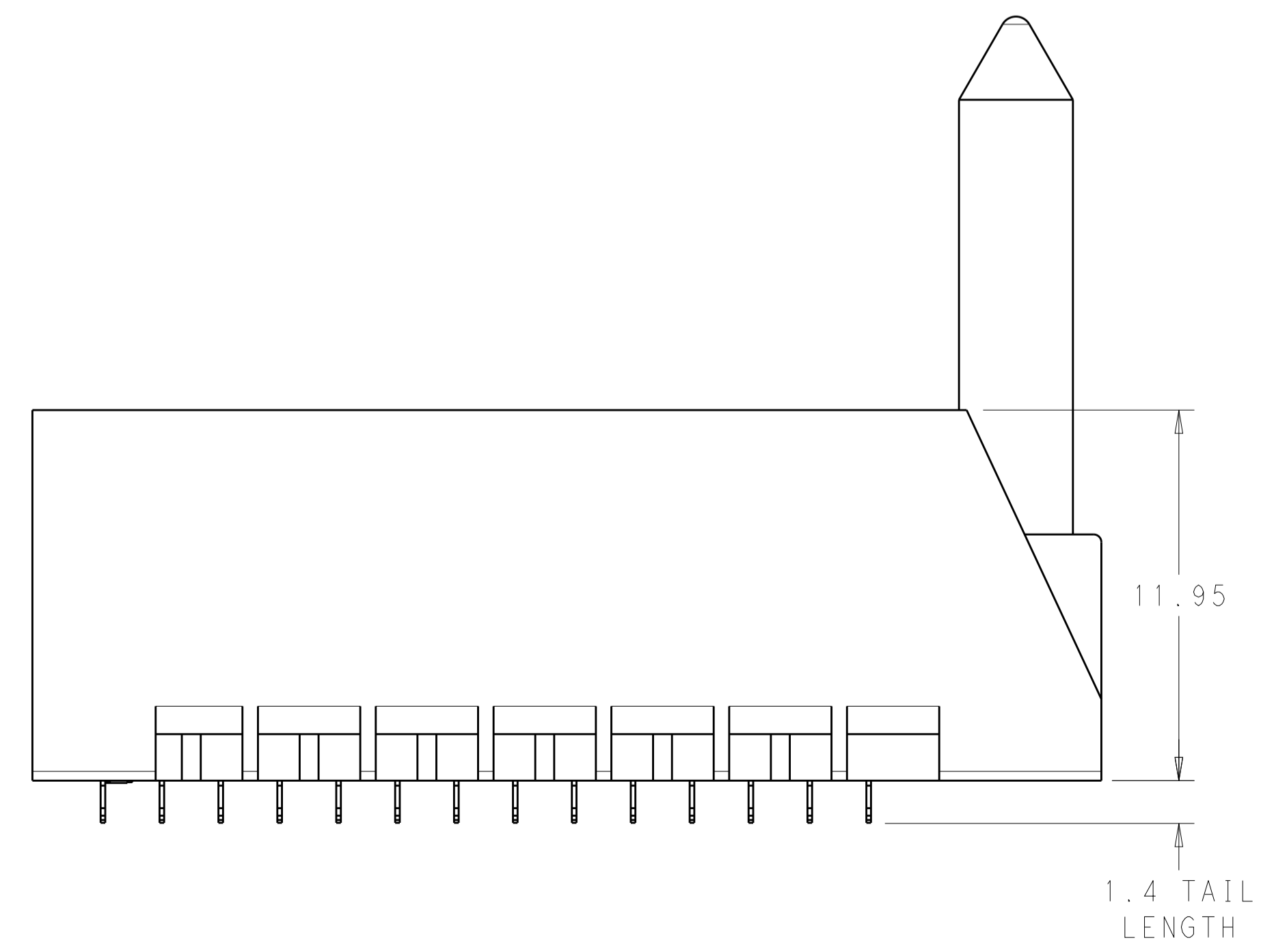
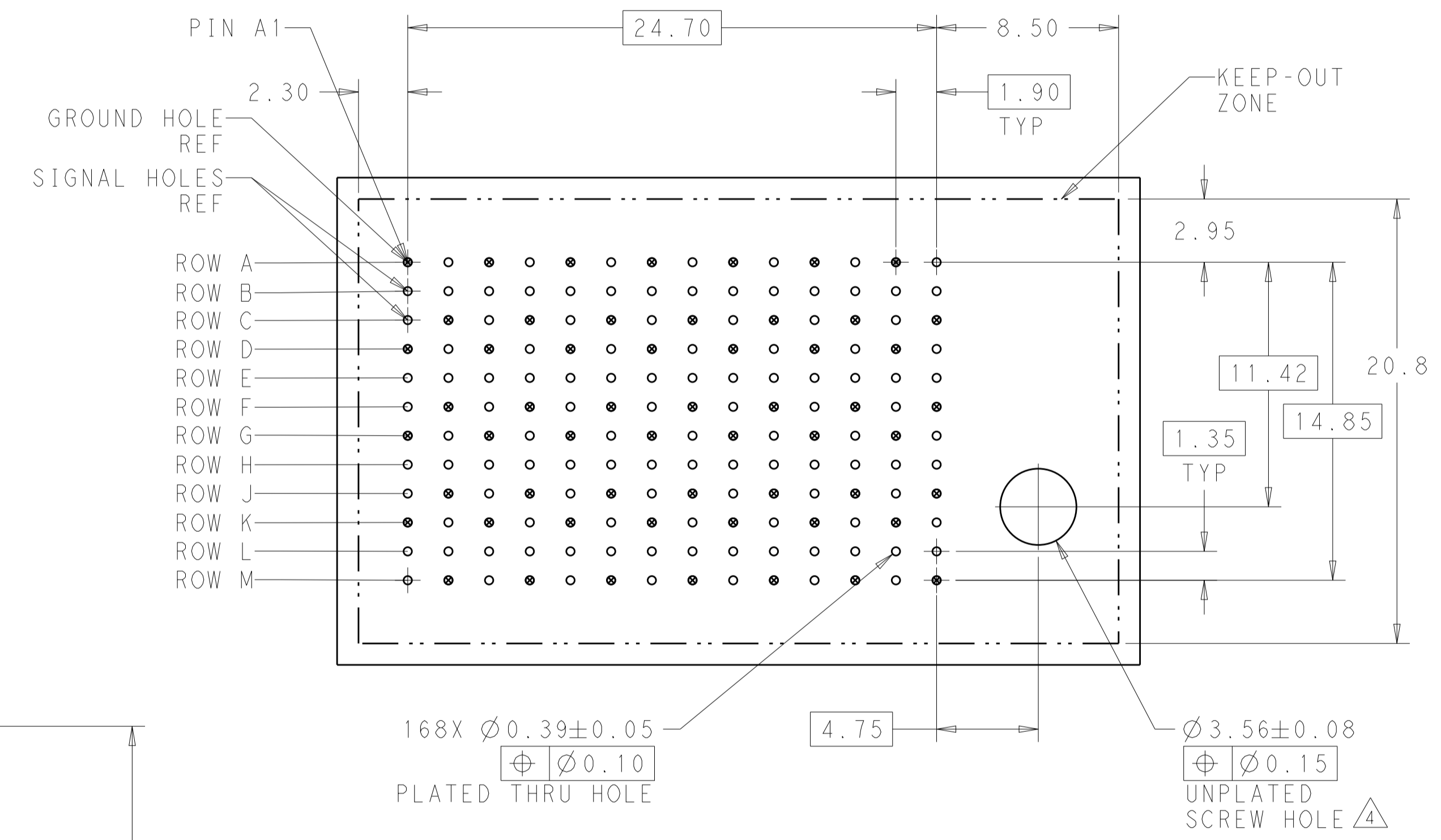


LOC	DIST	REVISIONS			
P	LTN	DESCRIPTION	DATE	DMN	APVD
A1		REVISED PER ECO-15-001494	07FEB2015	AP	DD



- △ MATERIAL:  
HOUSING: LCP, GLASS FILLED, UL94V-0.  
TERMINALS: HIGH PERFORMANCE COPPER ALLOY.
- △ FINISH:  
30μ" MIN GOLD IN CONTACT AREA. SELECTIVE TIN ON PCB TAILS, NICKEL OVERALL.
- 3. SCREWS PACKAGED IN END OF PACKAGING TUBE.
- △ FOR GROUNDED GUIDE PIN USE  $\varnothing 3.56 \pm 0.08$  PTH,  $\varnothing 3.66$  DRILL, AND  $\varnothing 6.5$  PAD.
- 5. KEYING PIN SHOWN IN POSITION A, SEE KEYING CHART ON SHEET 2 FOR OTHER POSITIONS.



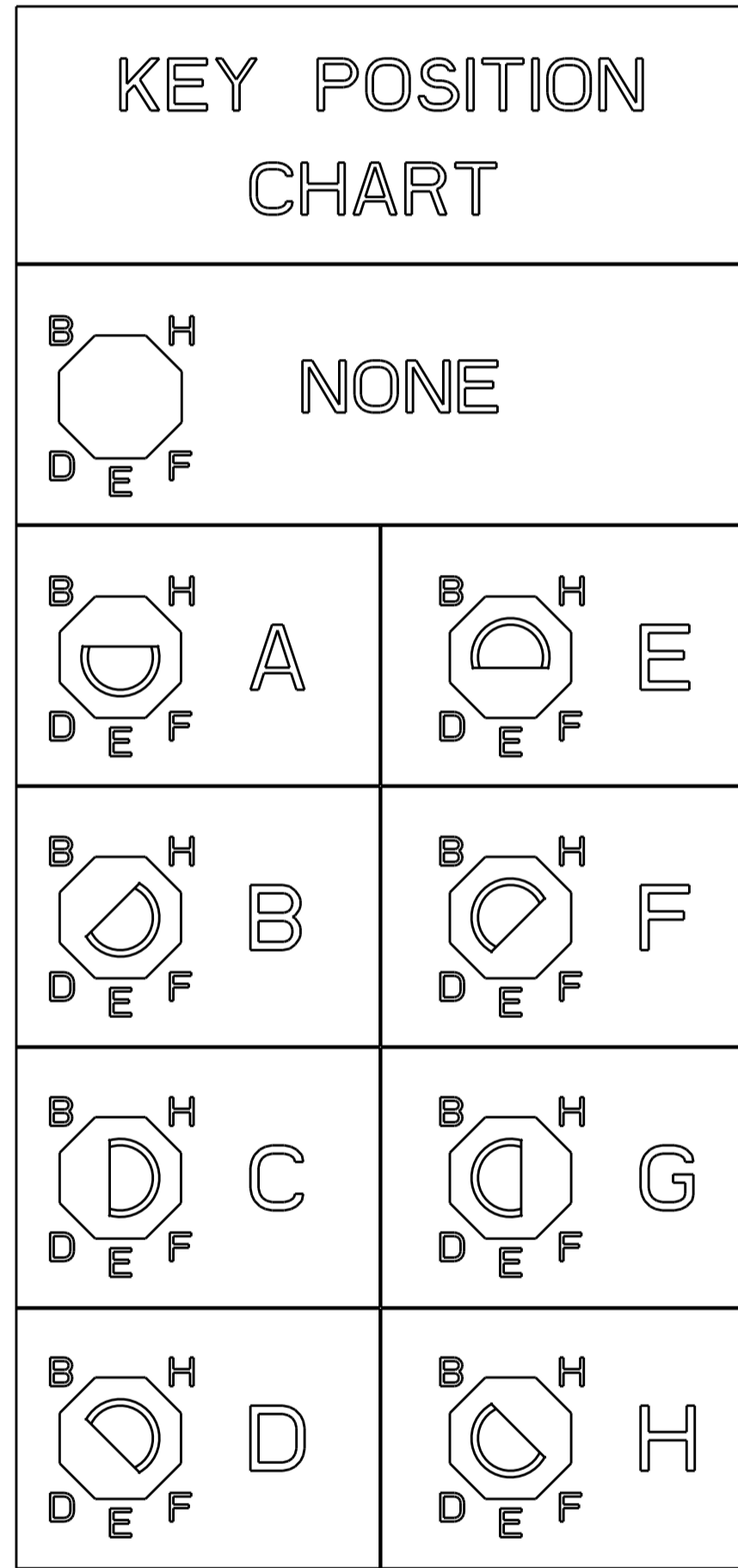
THIS DRAWING IS A CONTROLLED DOCUMENT.		DMN: R. COELLO 27MAY2011	TE Connectivity
DIMENSIONS: mm		CHK: J. EARY 27MAY2011	
TOLERANCES UNLESS OTHERWISE SPECIFIED:		APVD: J. EARY 27MAY2011	NAME: IMPACT, 4 PAIR, 14 COLUMN, HEADER RIGHT GUIDED, LEFT END WALL SIGNAL MODULE, 0.39 PTH
0 PLC ±0.25 1 PLC ±0.13 2 PLC ±0.13 3 PLC ±0.13 4 PLC ±0.13 ANGLES ±0.13		PRODUCT SPEC	
MATERIAL: SEE TABLE		APPLICATION SPEC	SIZE: CAGE CODE DRAWING NO. RESTRICTED TO
FINISH: SEE TABLE		WEIGHT	A100779C=2169015
CUSTOMER DRAWING		SCALE: 6:1	SHEET 1 OF 2 REV A1

THIS DRAWING IS UNPUBLISHED. RELEASED FOR PUBLICATION 20  
 © COPYRIGHT 20 BY - ALL RIGHTS RESERVED.

LOC	DIST	REVISIONS			
		REV	DATE	BY	APPD
AD	00	-	SEE SHEET 1	-	-

	H	5.5	8-2169015-3
	H	4.9	8-2169015-2
	H	4.5	8-2169015-1
	G	5.5	7-2169015-3
	G	4.9	7-2169015-2
	G	4.5	7-2169015-1
	F	5.5	6-2169015-3
	F	4.9	6-2169015-2
	F	4.5	6-2169015-1
	E	5.5	5-2169015-3
	E	4.9	5-2169015-2
	E	4.5	5-2169015-1
	D	5.5	4-2169015-3
	D	4.9	4-2169015-2
	D	4.5	4-2169015-1
	C	5.5	3-2169015-3
	C	4.9	3-2169015-2
	C	4.5	3-2169015-1
	B	5.5	2-2169015-3
	B	4.9	2-2169015-2
	B	4.5	2-2169015-1
	A	5.5	1-2169015-3
	A	4.9	1-2169015-2
	A	4.5	1-2169015-1
	-	5.5	2169015-3
	-	4.9	2169015-2
	-	4.5	2169015-1
FINISH	KEY POSITION	DIM M	PART NUMBER

REFER TO WWW.TE.COM FOR PRODUCT AVAILABILITY



THIS DRAWING IS A CONTROLLED DOCUMENT.		DWN R. COELLO 27MAY2011 CHK J. EARY 27MAY2011 APVD J. EARY 27MAY2011		
DIMENSIONS:	TOLERANCES UNLESS OTHERWISE SPECIFIED:	PRODUCT SPEC	NAME IMPACT, 4 PAIR, 14 COLUMN, HEADER RIGHT GUIDED, LEFT END WALL SIGNAL MODULE, 0.39 PTH	
mm	0 PLC ±0.25 1 PLC ±0.13 2 PLC ±0.13 3 PLC ±0.13 4 PLC ±0.13 ANGLES ±0.13 FINISH SEE TABLE	APPLICATION SPEC	SIZE A1	CAGE CODE DRAWING NO C=2169015
MATERIAL	SEE TABLE	WEIGHT	CUSTOMER DRAWING	RESTRICTED TO
			SCALE 5:1	SHEET 2 OF 2 REV A1