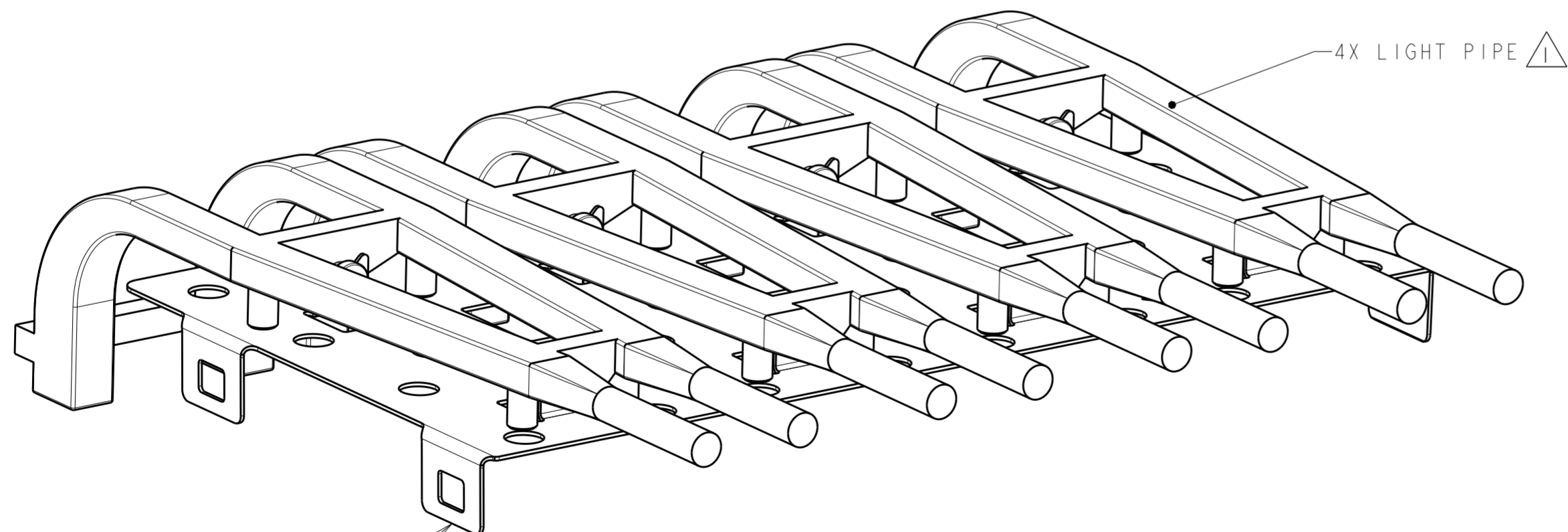
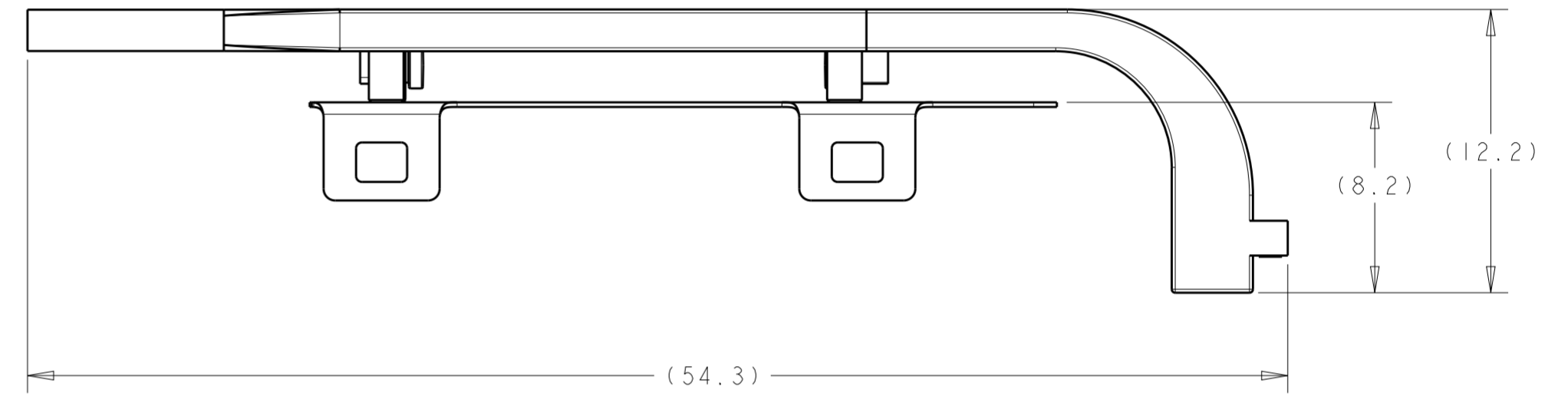
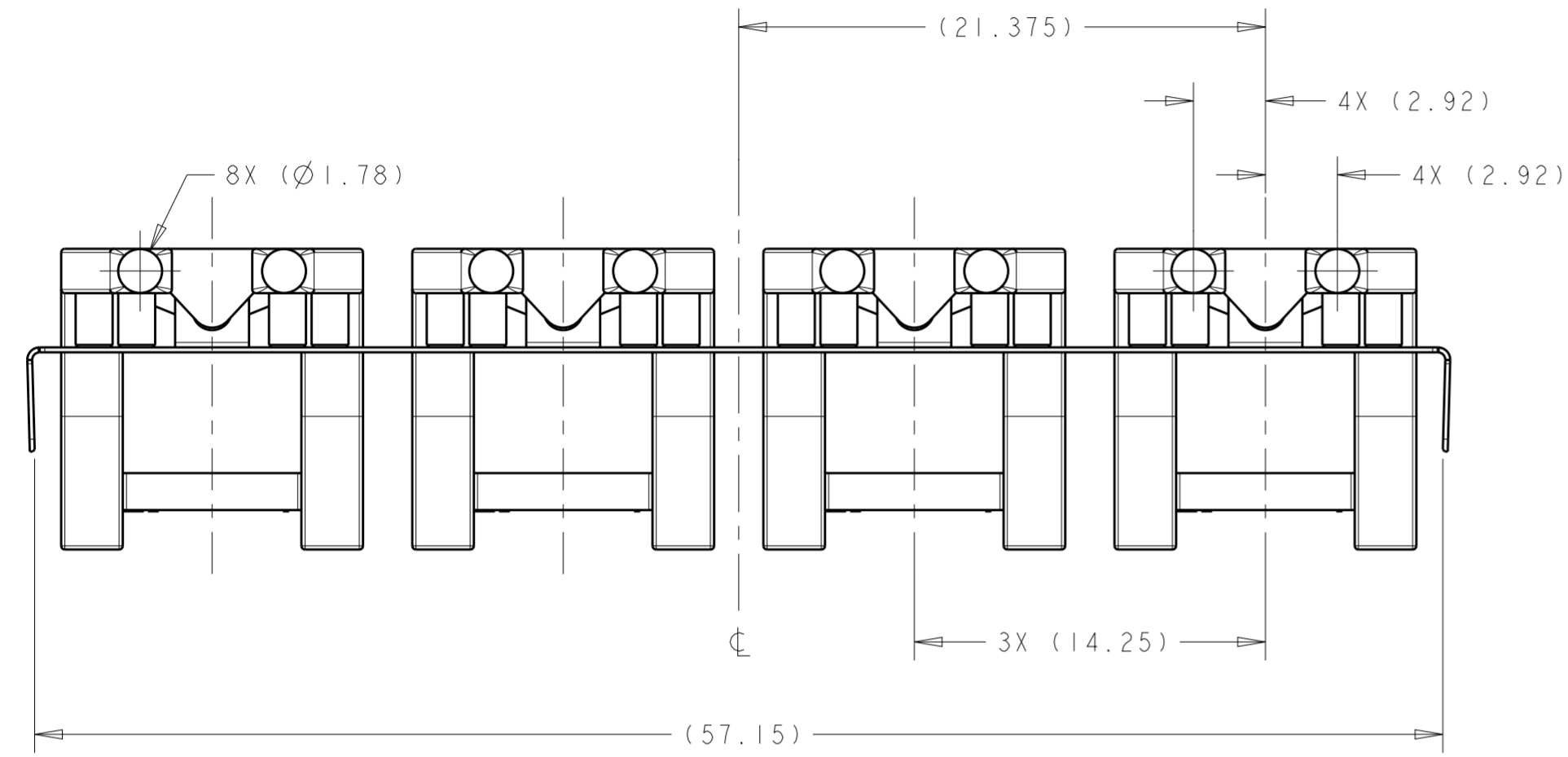


THIS DRAWING IS UNPUBLISHED. RELEASED FOR PUBLICATION 20
 © COPYRIGHT 20 ALL RIGHTS RESERVED.

GP 00

REVISIONS				
P	LTR	DESCRIPTION	DATE	APVD
A		RELEASED	26FEB2016	JW SH



- 1 POLYCARBONATE, CLEAR, UL 94V-2.
- 2 STAINLESS STEEL PER ASTM A 666

2 LIGHT PIPE BRACKET

2170068-1 SCALE 4:1

2170068-1
 PART NUMBER

THIS DRAWING IS A CONTROLLED DOCUMENT.		DWN T. XUE 06MAR2011	TE Connectivity	
DIMENSIONS: mm		CHK C. WANG 06MAR2011		
TOLERANCES UNLESS OTHERWISE SPECIFIED:		APVD C. WANG 06MAR2011	NAME SFP+ 1X4 LIGHT PIPE ASSEMBLY, LOW PROFILE	
0 PLC ±		PRODUCT SPEC 108-2364	SIZE A200779	
1 PLC ±		APPLICATION SPEC	DRAWING NO C-2170068	
2 PLC ±0.15		WEIGHT	RESTRICTED TO	
3 PLC ±			SCALE 4:1 SHEET 1 OF 1 REV A	
4 PLC ±				
ANGLES ±				
FINISH				