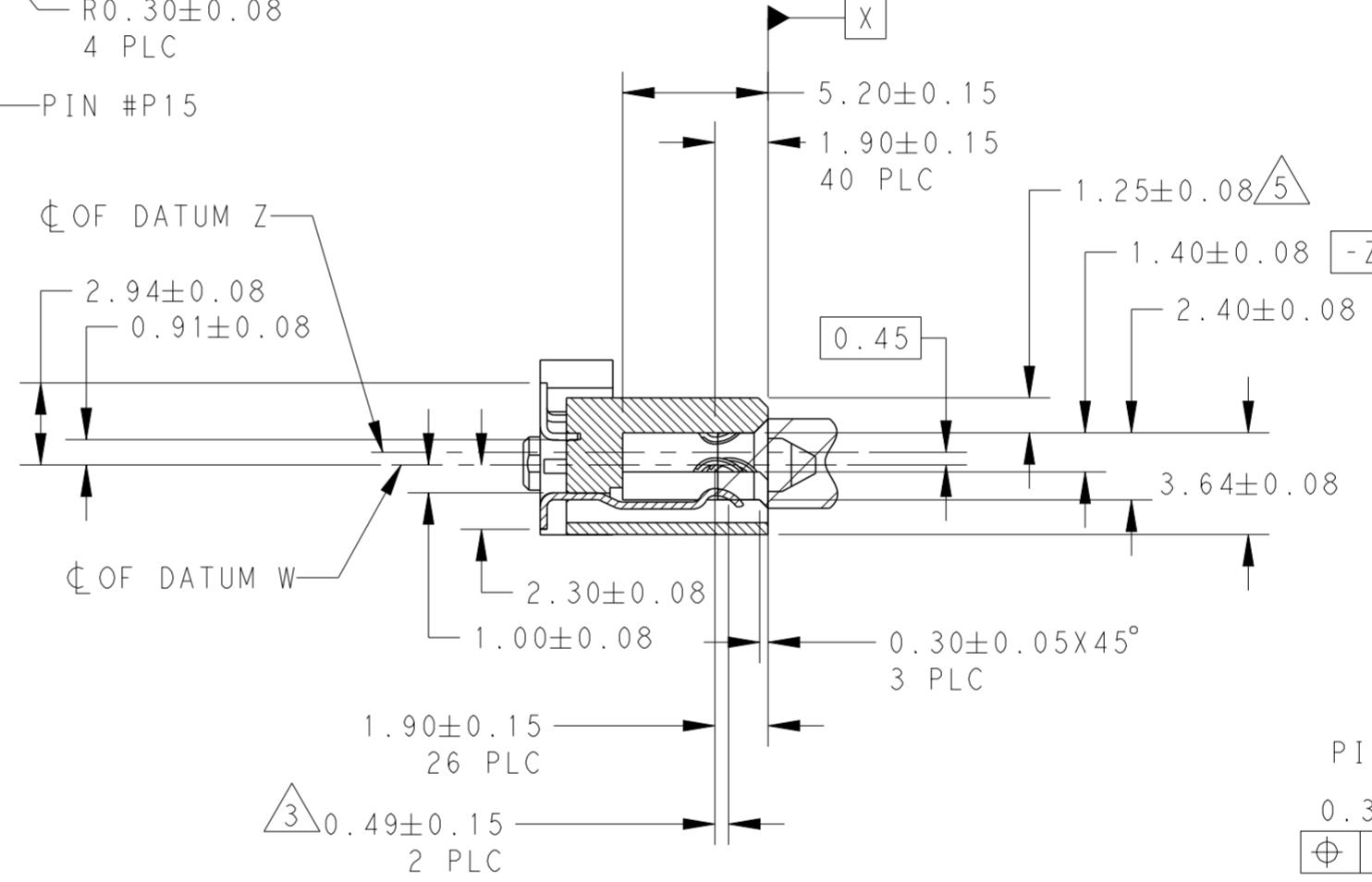
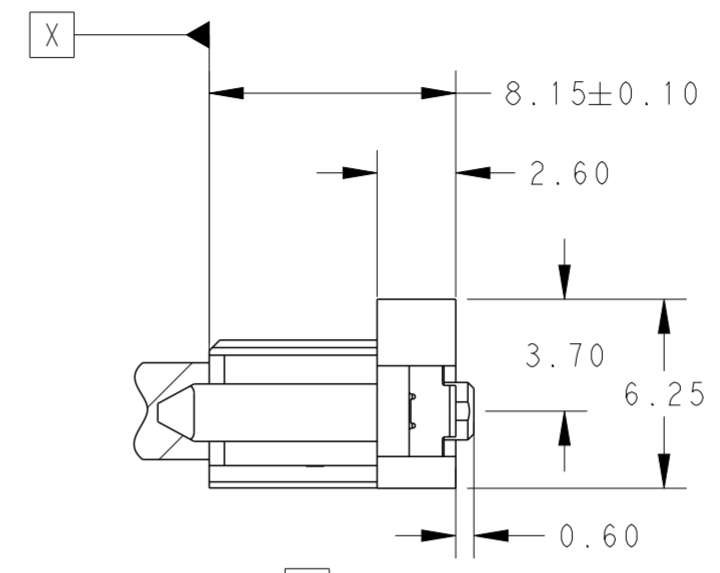
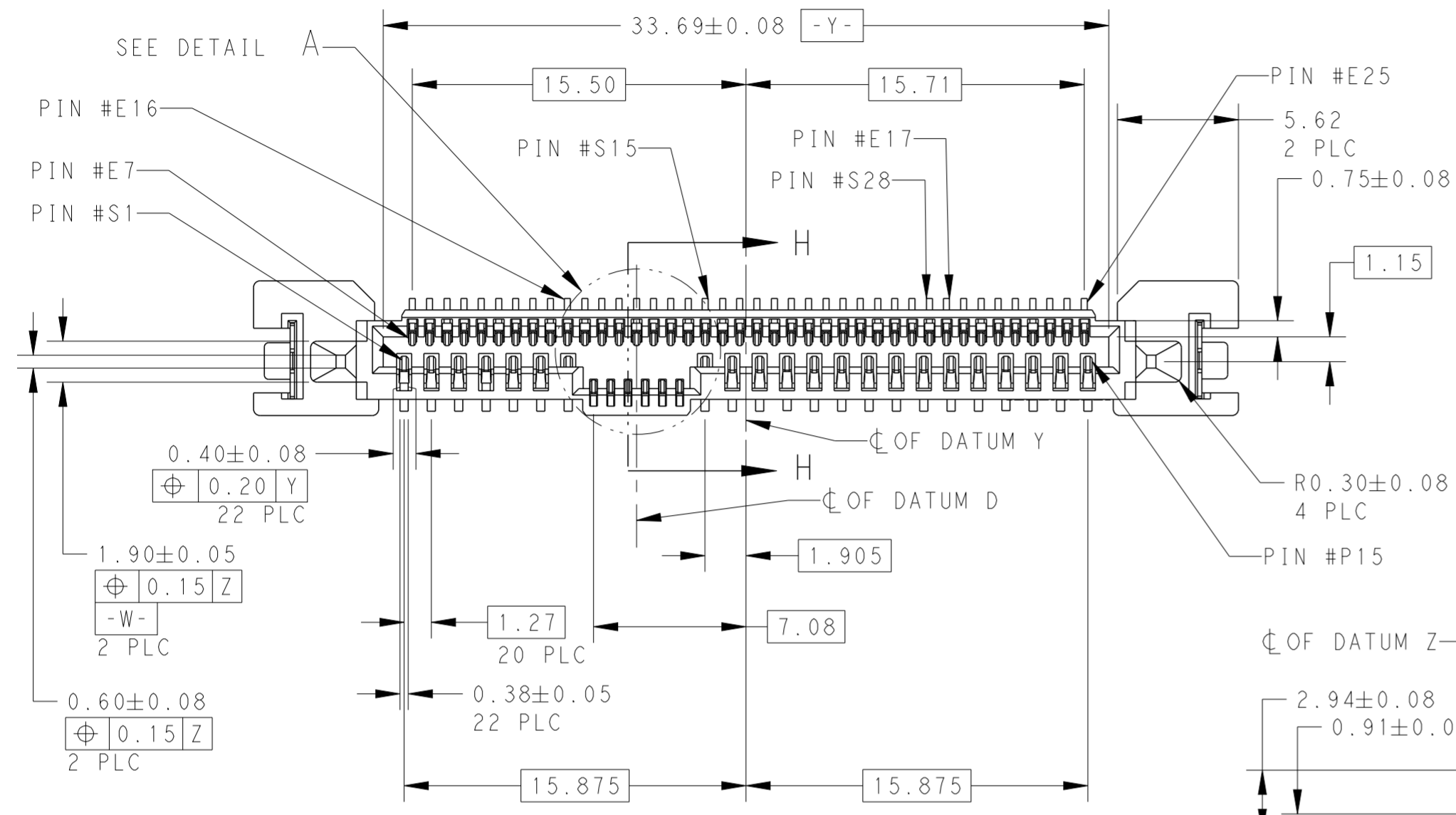
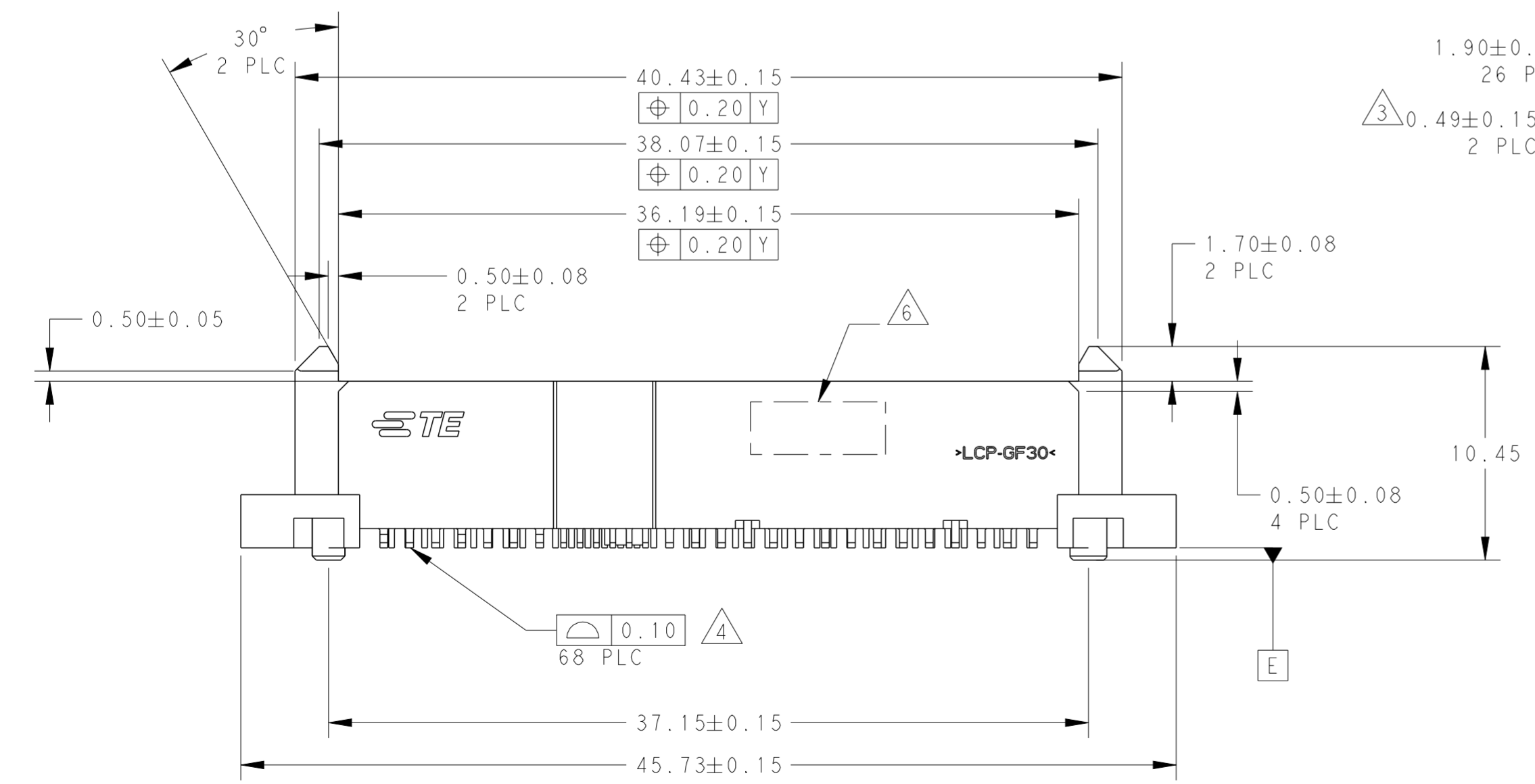


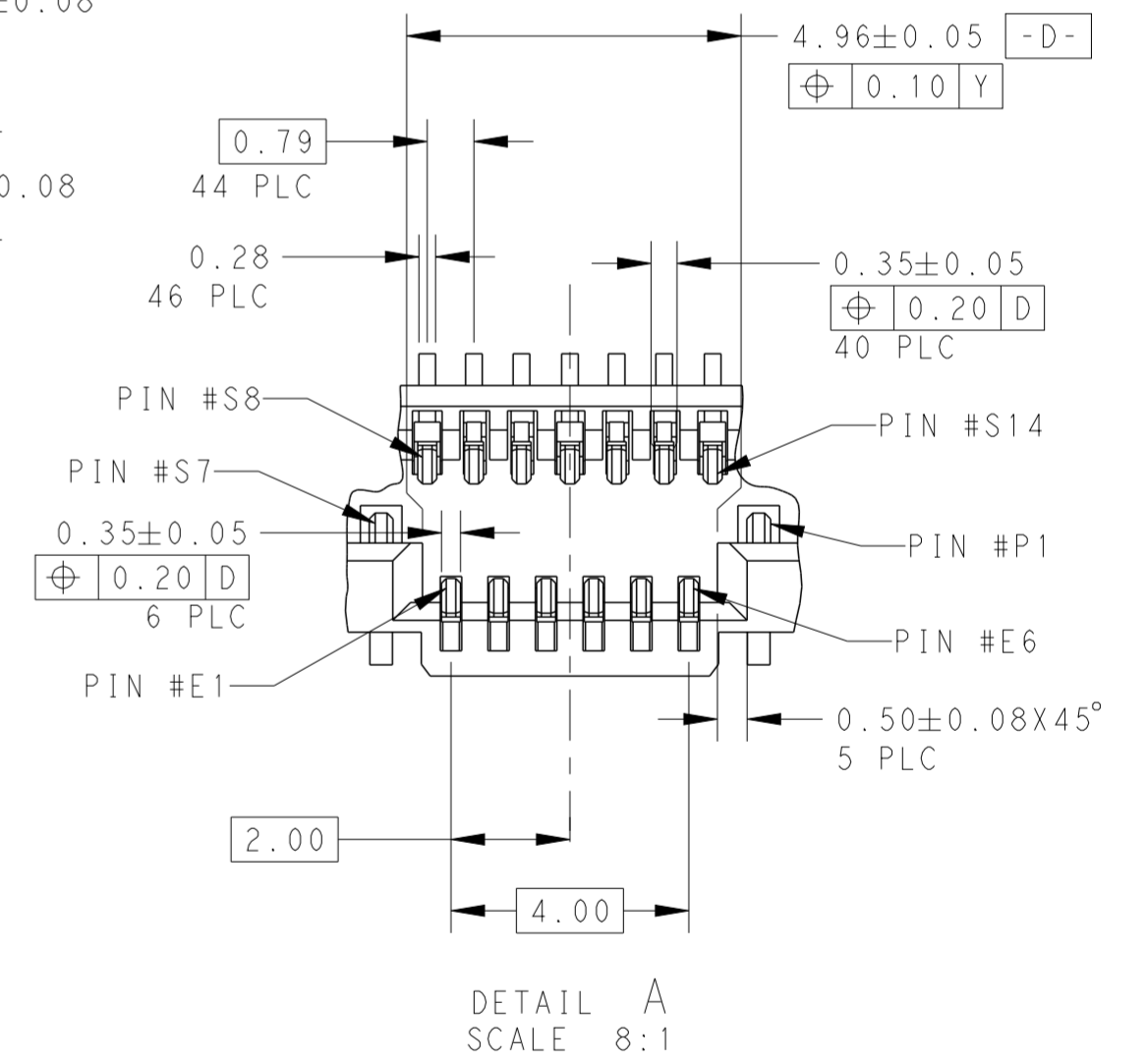
REVISIONS					
P	LTR	DESCRIPTION	DATE	DWN	APVD
A3		REVISED PER ECN-24-294496	20NOV2024	AP	JM



- NOTES:
- 1 MATERIAL:
HOUSING: HIGH TEMP THERMOPLASTIC, UL94V-0,
COLOR: BLACK
CONTACT: COPPER ALLOY
BOARDLOCK: COPPER ALLOY
 - 2 FINISH:
CONTACT AREA: MIN 0.76µm GOLD PLATING
SOLDERTAIL: MIN 2.54µm MATTE TIN PLATING
UNDERPLATE: MIN 1.27µm NICKEL PLATING
 - 3 PIN #P4 AND #P12 ONLY
 - 4 SOLDERTAIL TO BE 0.05 MAX ABOVE
AND 0.10 MAX BELOW DATUM E
 - 5 1.33 MAX MEASURED AT DATUM C
 - 6 DATE CODE IN APPROXIMATE LOCATION
AS SHOWN PER 115-40002



SECTION H-H
SCALE 4:1

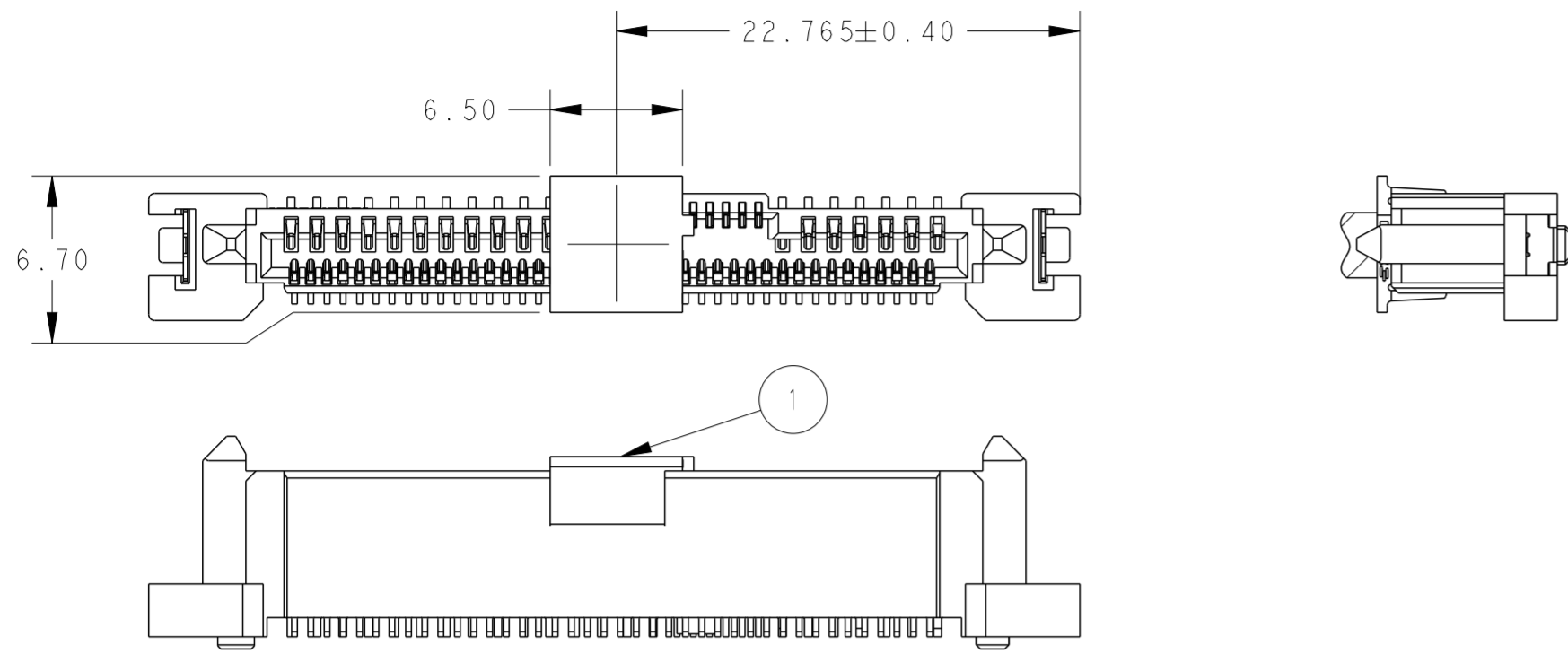


DETAIL A
SCALE 8:1

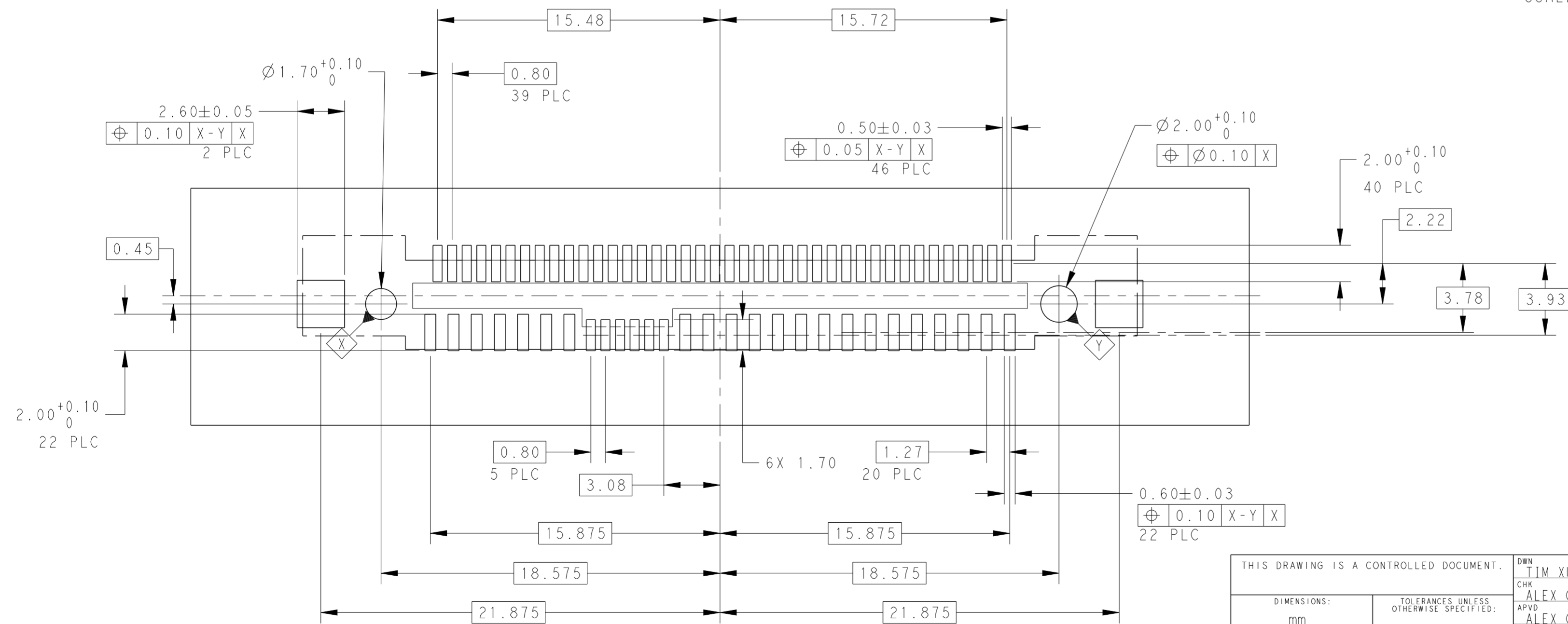
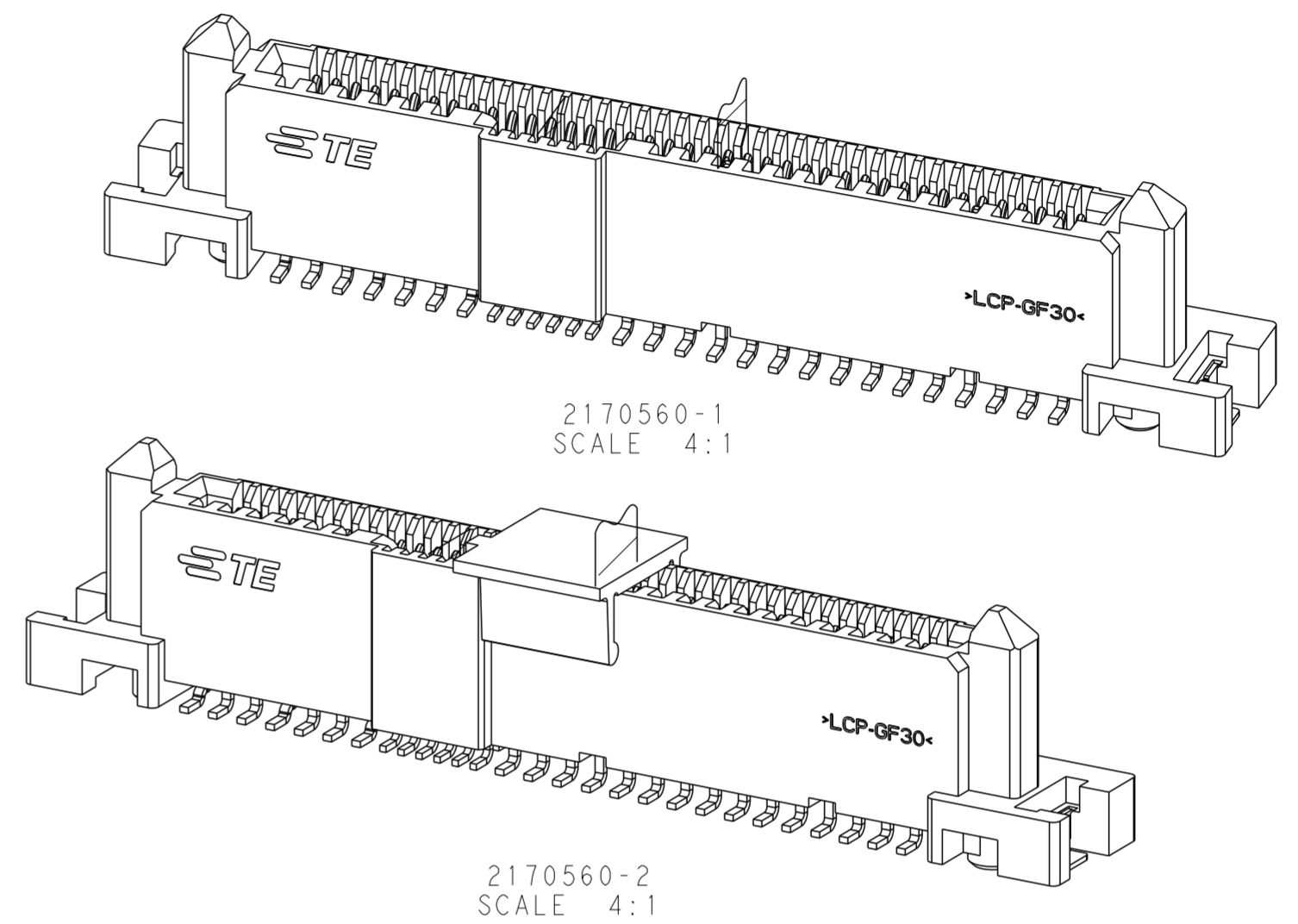
OBSOLETE	YES	2170560-2
	NO	2170560-1
	PICK-UP CAP (1)	PART NUMBER

THIS DRAWING IS A CONTROLLED DOCUMENT.		DWN	TIM XUE	20 JUN 2013	TE Connectivity
DIMENSIONS:		CHK	ALEX CAI	20 JUN 2013	
mm		APVD	ALEX CAI	20 JUN 2013	
TOLERANCES UNLESS OTHERWISE SPECIFIED:		PRODUCT SPEC	108-51109	NAME	
0 PLC ±		APPLICATION SPEC	114-60017	SIZE	A2
1 PLC ±0.20		WEIGHT	-	CAGE CODE	-
2 PLC ±0.20		CUSTOMER DRAWING		DRAWING NO	G-2170560
3 PLC ±0.20		SCALE	2:1	SHEET	1 OF 2
4 PLC ±0.0001		RESTRICTED TO		REV	A3
ANGLES ±1°					
FINISH -					

P	LTR	DESCRIPTION	DATE	DWN	APVD
-	-	SEE SHEET 1	-	-	-



P/N:2170560-2 AS SHOWN
RECEPTACLE WITH PICK-UP CAP



RECOMMENDED RECEPTACLE BOARD LAYOUT
SCALE 5:1

THIS DRAWING IS A CONTROLLED DOCUMENT.		DWN TIM XUE 20 JUN 2013	TE Connectivity
DIMENSIONS: mm		CHK ALEX CAI 20 JUN 2013	
TOLERANCES UNLESS OTHERWISE SPECIFIED:		APVD ALEX CAI 20 JUN 2013	NAME 12G SAS/PCIe COMBO RECEPTACLE, STANDARD 15P+6P+7P+40P
0 PLC ±		PRODUCT SPEC 108-51109	SIZE A2
1 PLC ±0.20		APPLICATION SPEC 114-60017	CAGE CODE -
2 PLC ±0.20		WEIGHT -	DRAWING NO G-2170560
3 PLC ±0.20		CUSTOMER DRAWING	RESTRICTED TO -
4 PLC ±0.0001		SCALE 2:1	SHEET 2 OF 2
ANGLES ±1°			REV A3
FINISH			