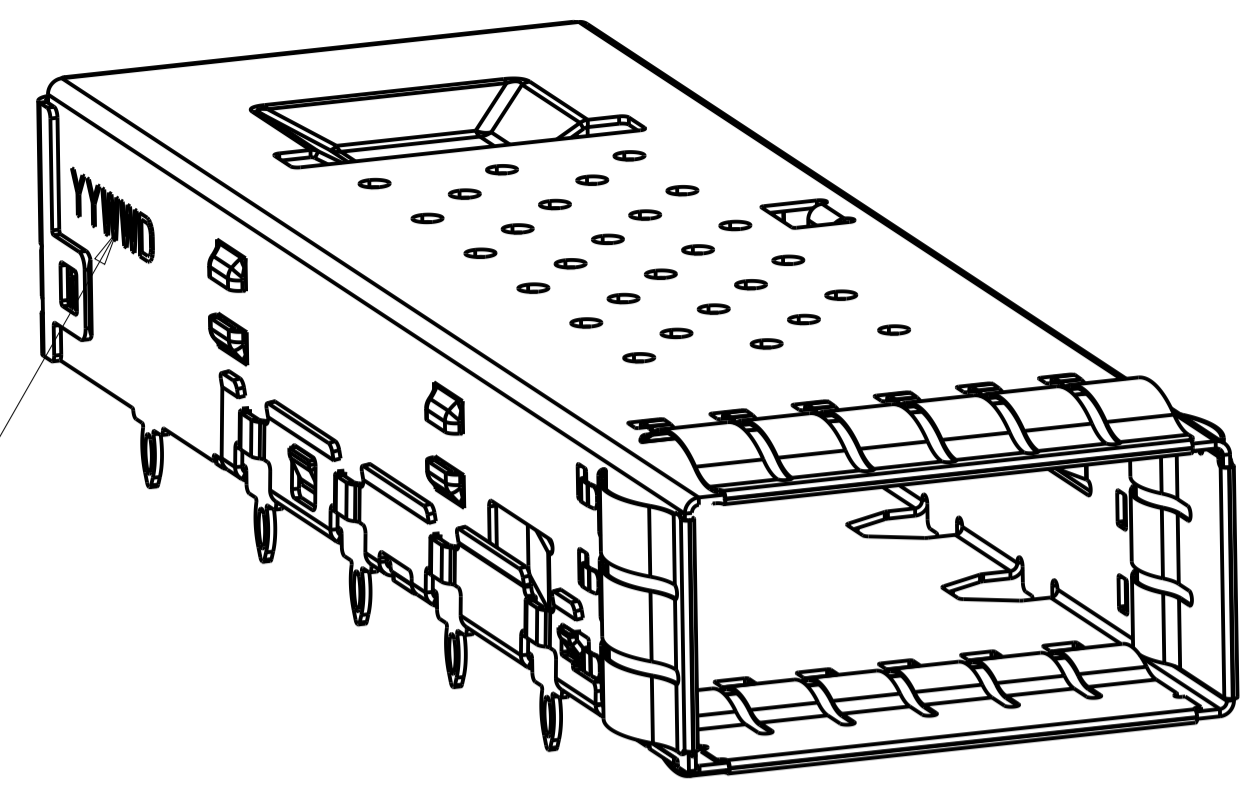
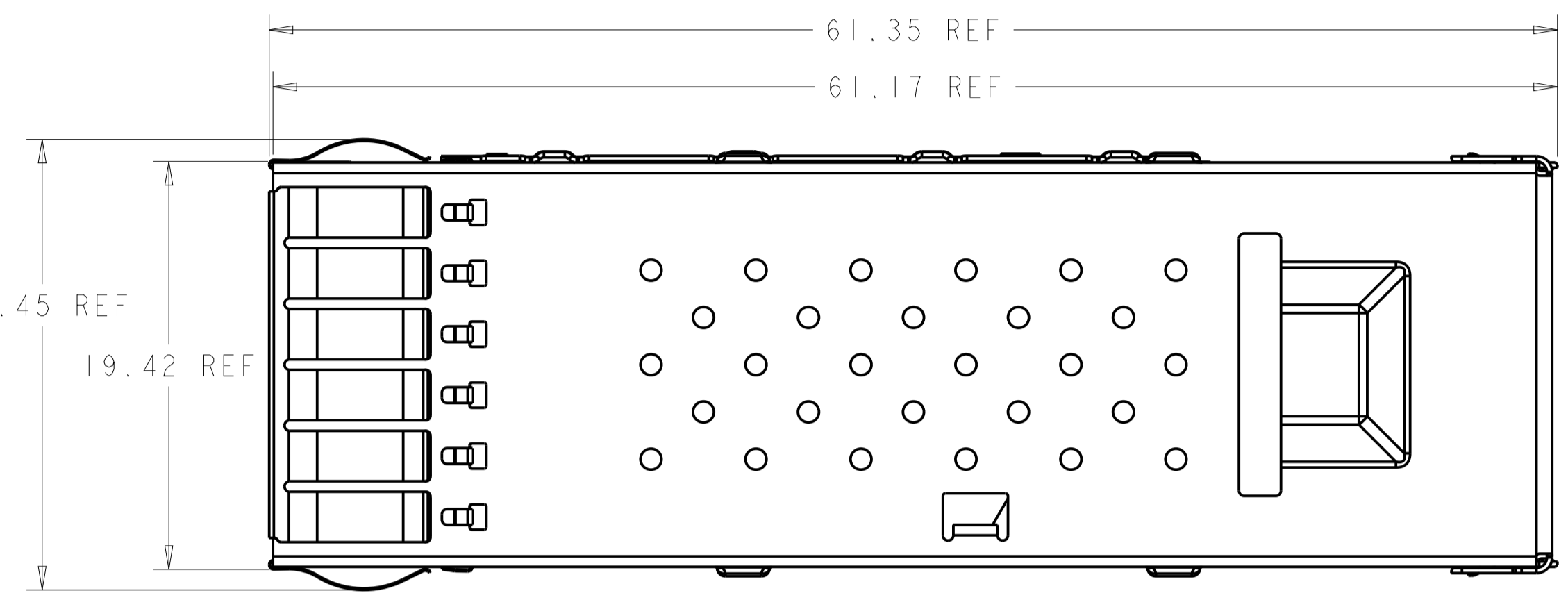


REVISIONS					
REV	LTN	DESCRIPTION	DATE	DWN	APVD
A		INITIAL RELEASE	29JAN2016	JY	SH
B		REVISED PER ECO-16-015248	24OCT2016	JY	SH
C1		REVISED PER ECO-20-002129	14FEB2020	VM	SH
D1		REVISED PER ECN-21-104118	17MAY2021	SH	SZ



SCALE 4:1



- 1. MATERIAL:
 CAGE MATERIAL : 0.25 THICK NICKEL SILVER.
 SPRING MATERIAL: COPPER ALLOY
 PURE COPPER FOIL: CONDUCTIVE, ADHESIVE

- 2. FINISH:
 SPRING: NICKEL PLATING
- 3. MATES WITH QSFP28 MSA COMPATIBLE TRANSCEIVER.

REFERENCE APPLICATION SPEC 114-32023 FOR RECOMMENDED DRILL HOLE DIAMETER AND PLATING THICKNESS.

DATUM AND BASIC DIMENSIONS ESTABLISHED BY CUSTOMERS.

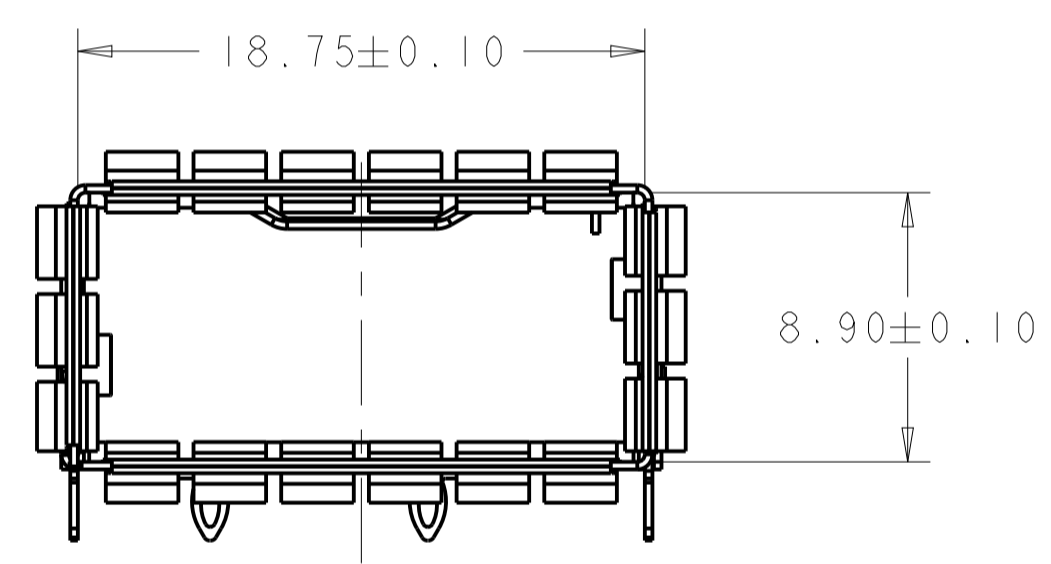
- 6. MINIMUM PC BOARD THICKNESS: SINGLES SIDED: 1.57 MIN
 DOUBLE SIDED: 2.20 MIN

DATUM -A- IS TOP SURFACE OF THE HOST BOARD.

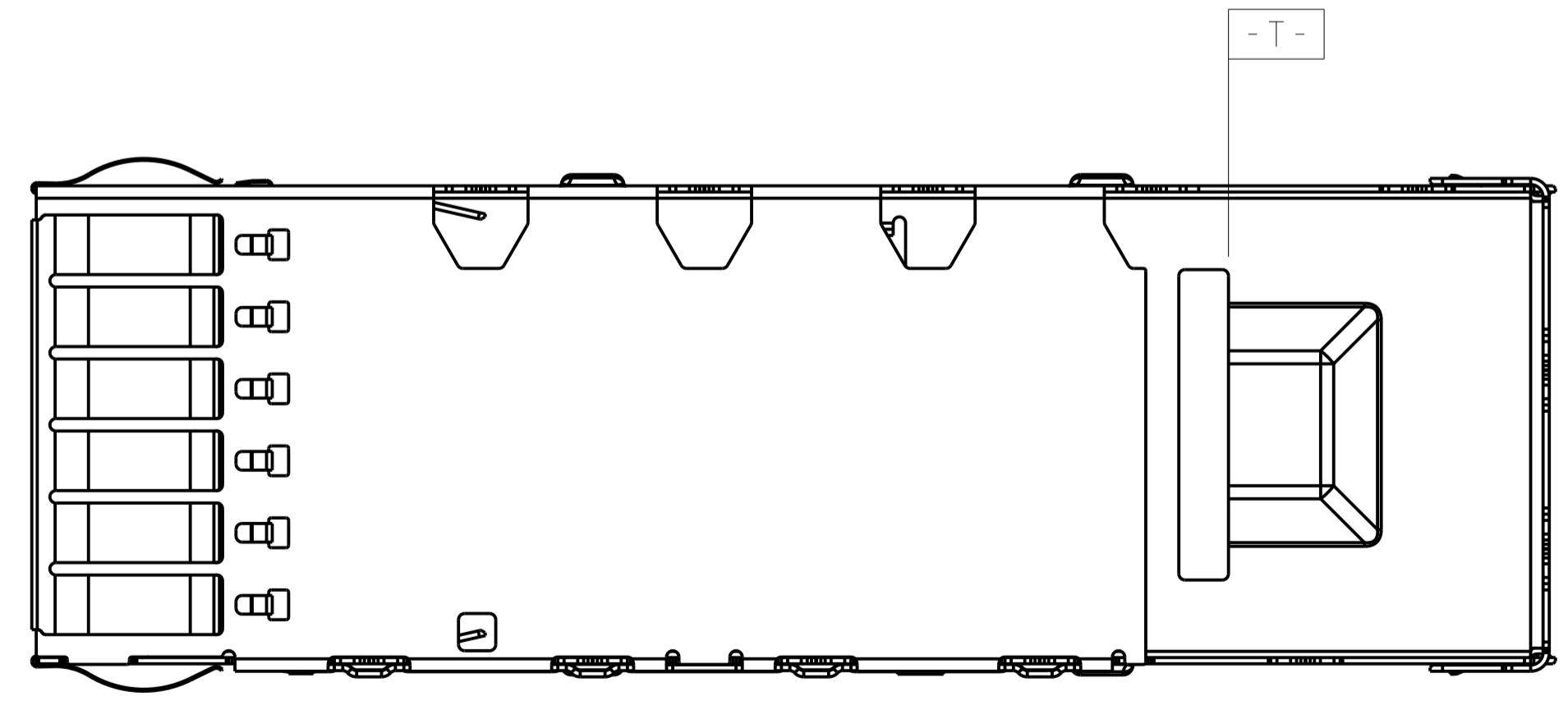
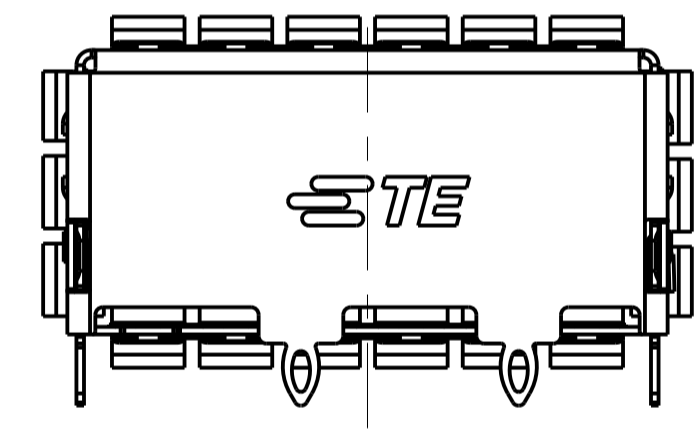
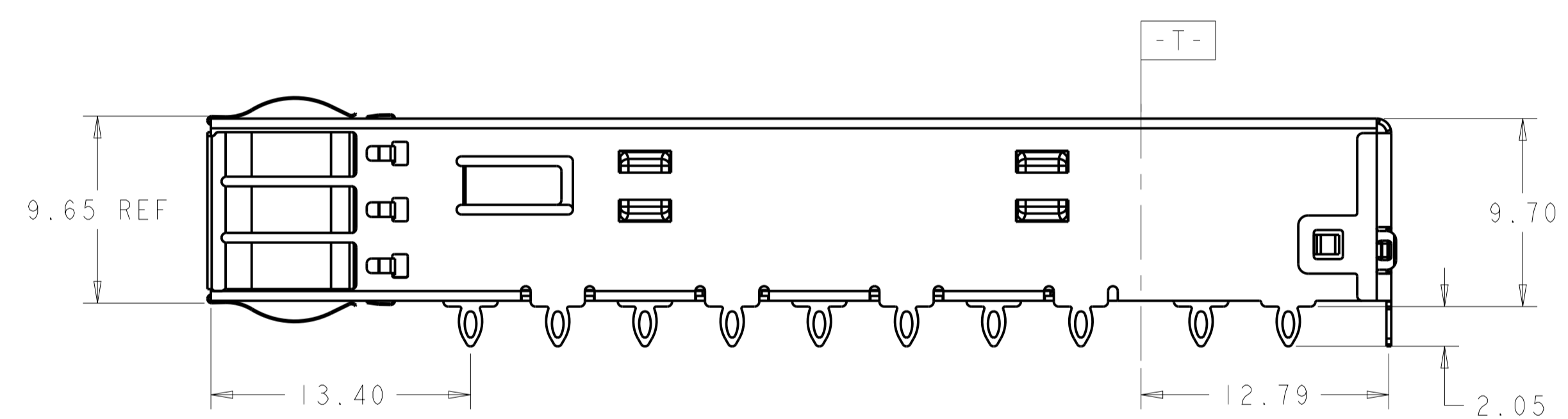
DATE CODE (YYWWD) MARKED APPROXIMATELY AS SHOWN

CUSTOMIZED SCHLEGEL GAP PAD.OP-8800.

CUSTOMIZED PACKING TRAY.



SCALE 4:1



WITHOUT	WITHOUT	WITH	WITH	1	WITHOUT	6-2170703-4
WITH	WITHOUT	WITH	WITHOUT	1	WITHOUT	1-2170703-4
WITHOUT	WITH	WITH	WITHOUT	1	WITH LARGER	4-2170703-6
WITHOUT	WITHOUT	WITH	WITH	0	WITH LARGER	2-2170703-9
WITHOUT	WITHOUT	WITH	WITH	1	WITH LARGER	2-2170703-8
WITHOUT	WITHOUT	WITH	WITHOUT	2	WITH LARGER	1-2170703-0
WITHOUT	WITHOUT	WITH	WITH	1	WITHOUT	5-2170703-4
WITHOUT	WITHOUT	WITH	WITH	2	WITH STANDARD	5-2170703-2
WITHOUT	WITHOUT	WITHOUT	WITHOUT	0	WITH STANDARD	2-2170703-7
WITHOUT	WITHOUT	WITH	WITHOUT	1	WITH LARGER	2-2170703-6
WITHOUT	WITHOUT	WITH	WITHOUT	0	WITH STANDARD	2170703-7
WITHOUT	WITHOUT	WITH	WITHOUT	1	WITH STANDARD	2170703-6
WITHOUT	WITHOUT	WITH	WITHOUT	0	WITHOUT	2170703-5
WITHOUT	WITHOUT	WITH	WITHOUT	1	WITHOUT	2170703-4
WITHOUT	WITHOUT	WITH	WITHOUT	2	WITH STANDARD	2170703-2
WITHOUT	WITHOUT	WITH	WITHOUT	2	WITHOUT	2170703-1
COPPER FOIL	THERMAL PAD	SPRING FINGER	INSULATING TAPE OPTION	# REAR PINS	HEAT SINK OPEN	PART NUMBER

THIS DRAWING IS A CONTROLLED DOCUMENT. DWN: JASON YANG 23SEP2013
 CHK: SEAN HAN 29JAN2016

DIMENSIONS: mm
 TOLERANCES UNLESS OTHERWISE SPECIFIED:
 0 PLC ± 0.25
 1 PLC ± 0.25
 2 PLC ± 0.25
 3 PLC ± 0.25
 4 PLC ± 0.100
 ANGLES ±

PRODUCT SPEC: 108-19428
 APPLICATION SPEC: 114-32023

MATERIAL: -
 FINISH: -

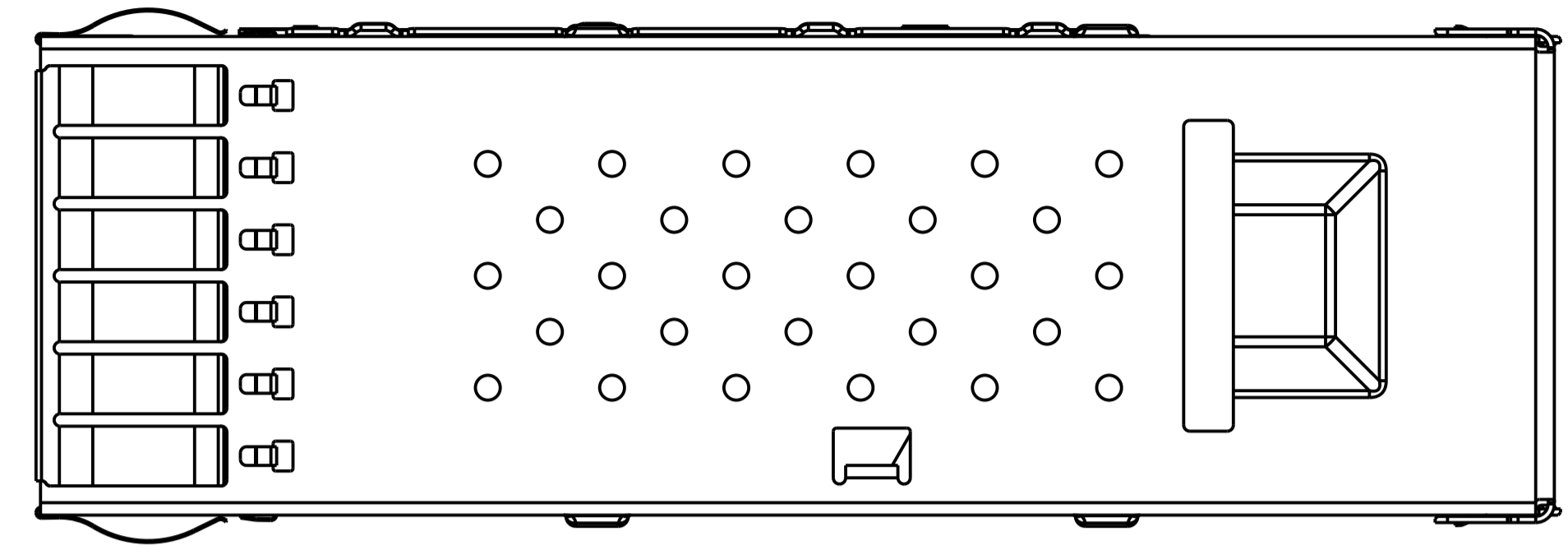
RESTRICTED CUSTOMER

NAME: CAGE ASSEMBLY, QSFP28 1X1 THRU BEZEL WITH EMI SPRING FINGER
 SIZE: A100779
 CAGE CODE: 2170703
 SCALE: 2:1 SHEET 1 OF 7 REV D1

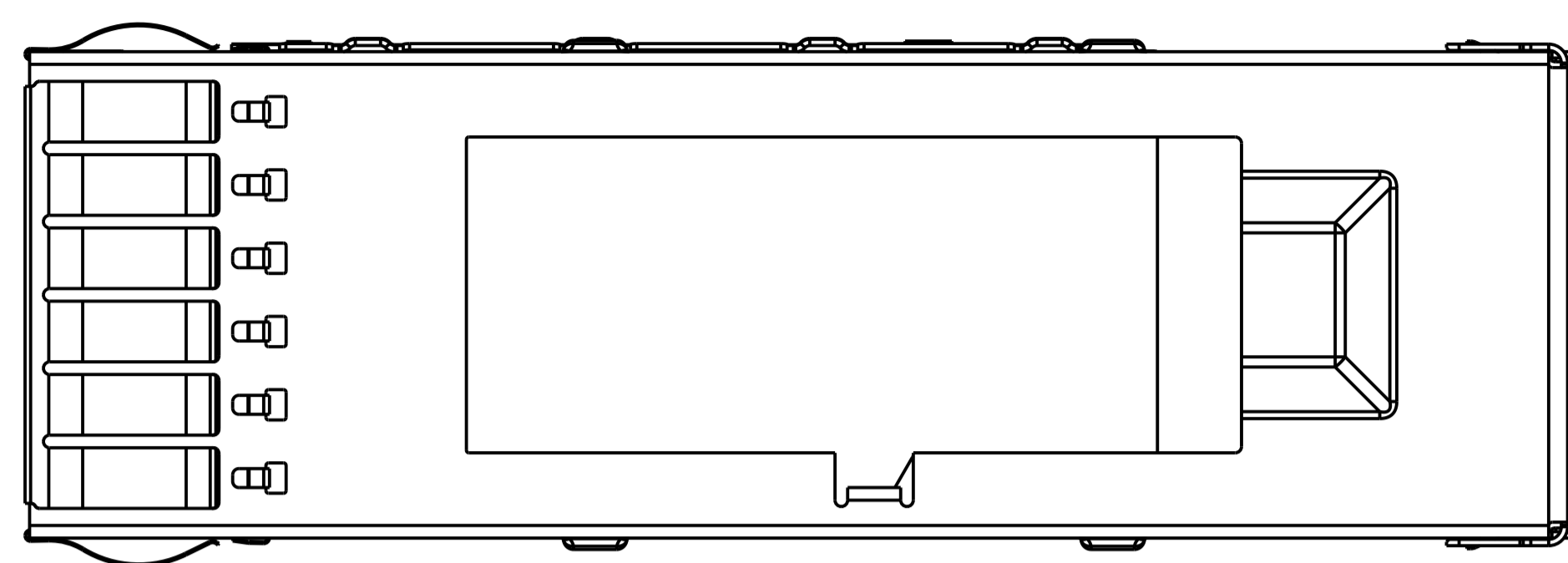
2170703-1 AS SHOWN

REVISIONS				
P.	LTN	DESCRIPTION	DATE	APVD
-	-	SEE SHEET 1	-	-

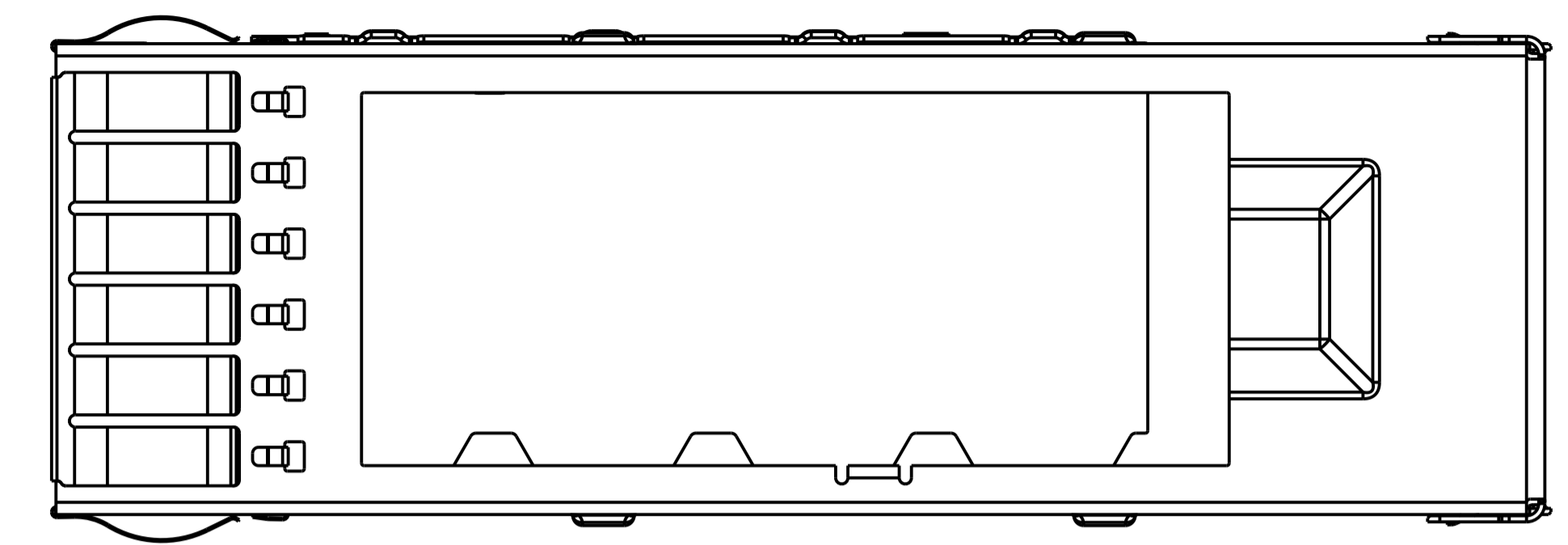
HEAT SINK OPEN OPTIONS



WITHOUT HEAT SINK OPEN
SCALE 4:1

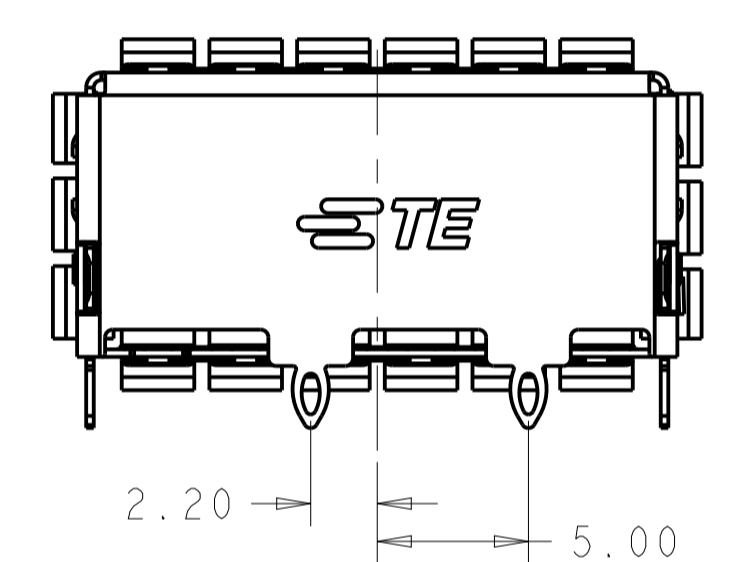


WITH STANDARD HEAT SINK OPEN (30.7X12.5)
SCALE 4:1

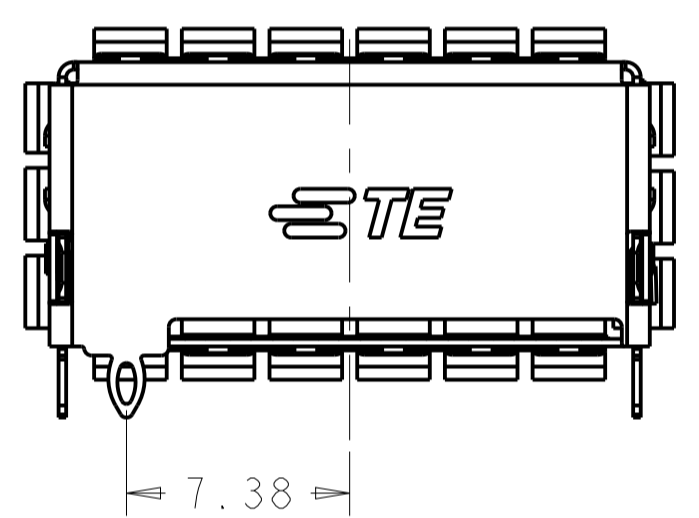


WITH LARGER HEAT SINK OPEN (35.5X15.25)
SCALE 4:1

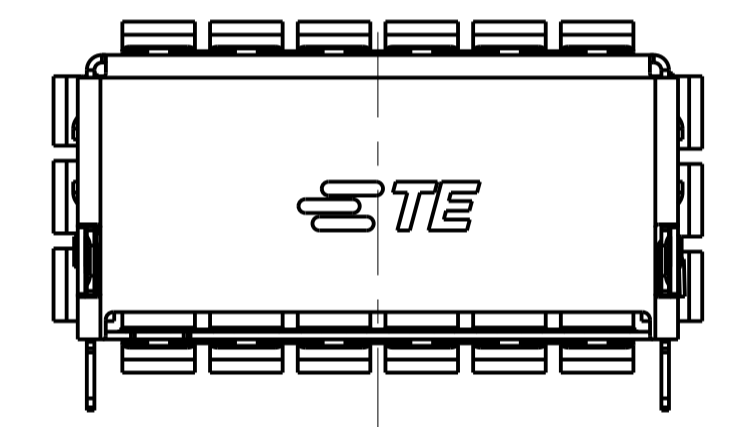
OF REAR LEGS OPTIONS



2 REAR LEGS VERSION
SCALE 4:1

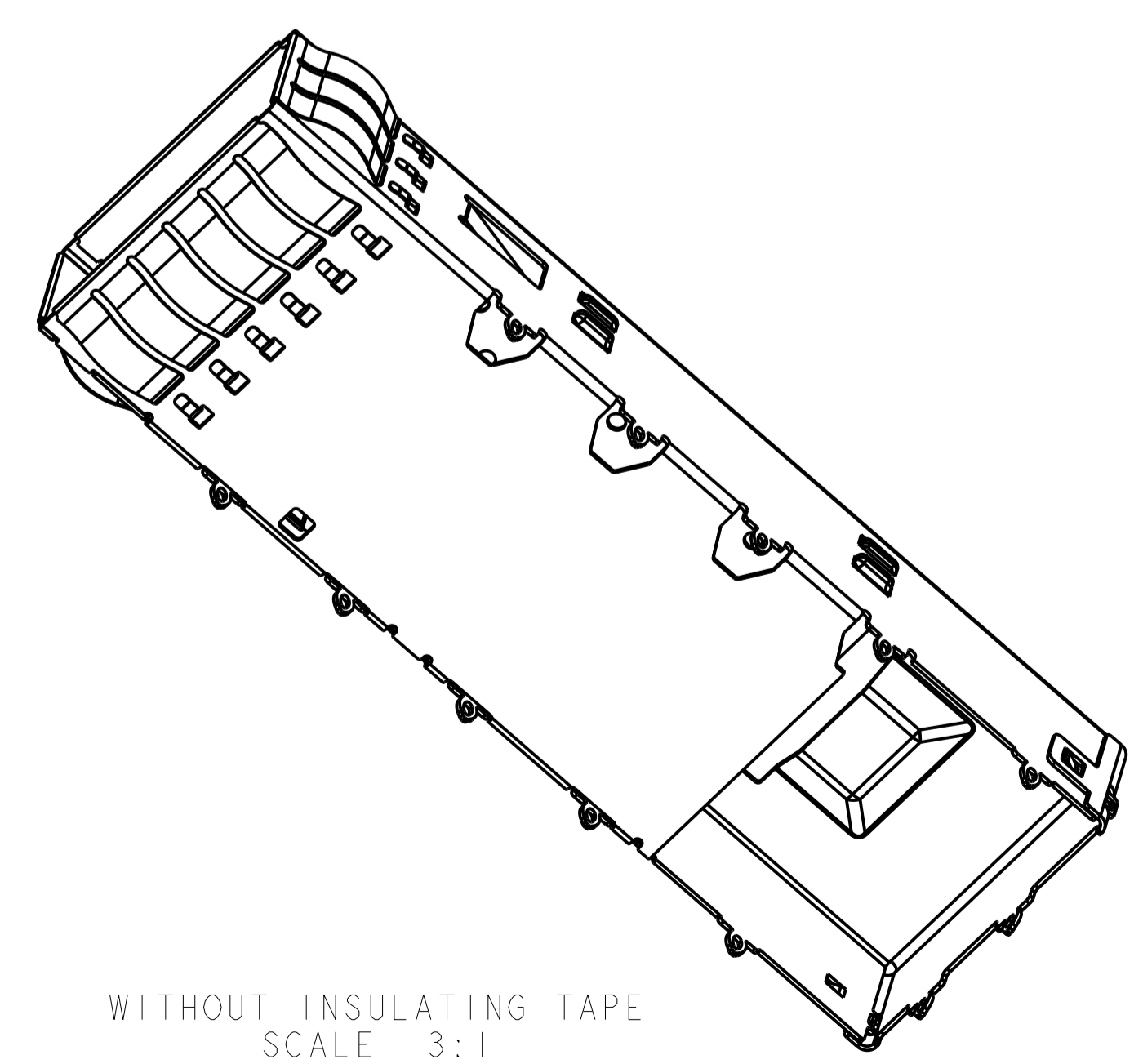


1 REAR LEG VERSION
SCALE 4:1

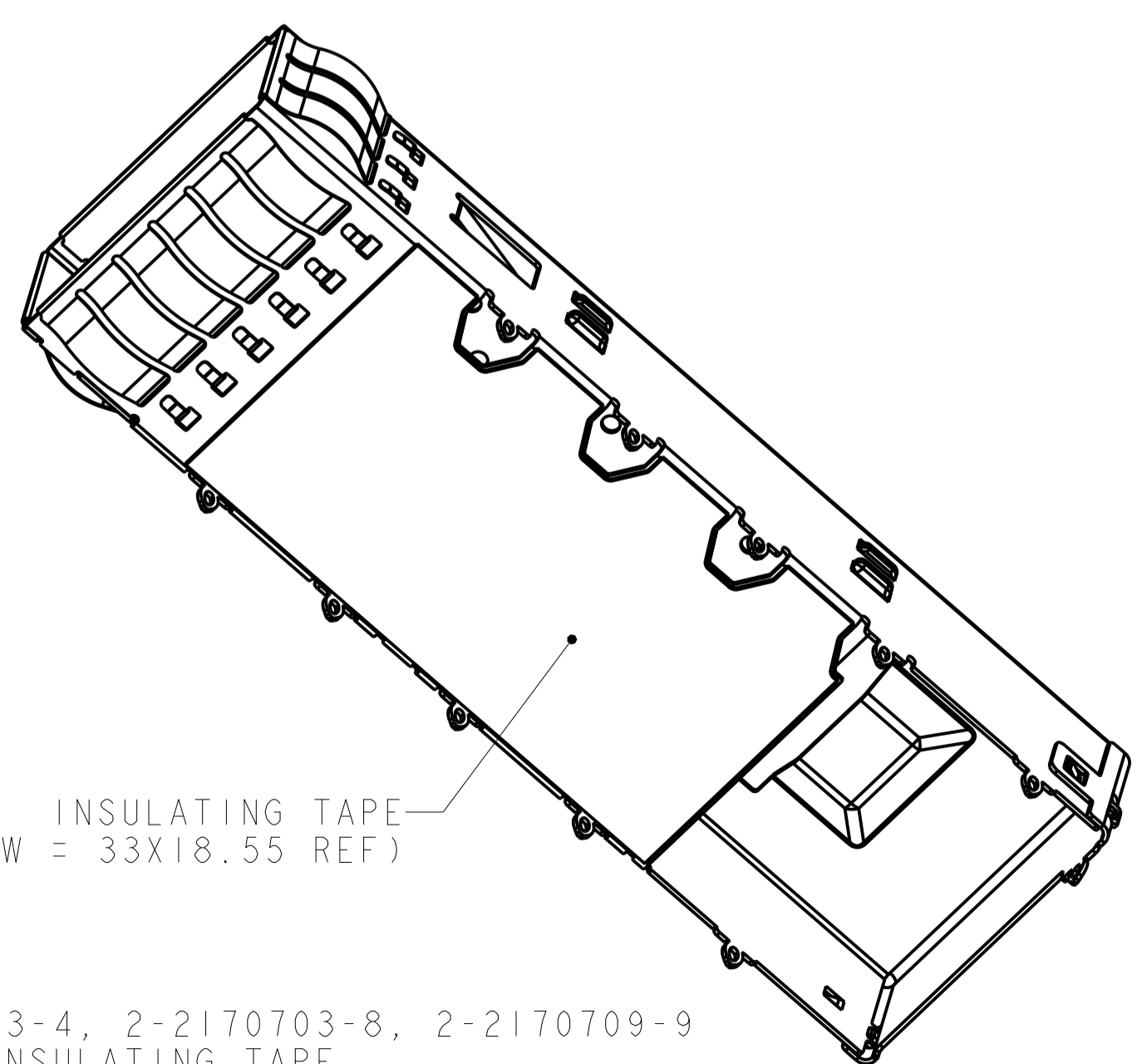


0 REAR LEG VERSION
SCALE 4:1

INSULATING TAPE OPTIONS



WITHOUT INSULATING TAPE
SCALE 3:1

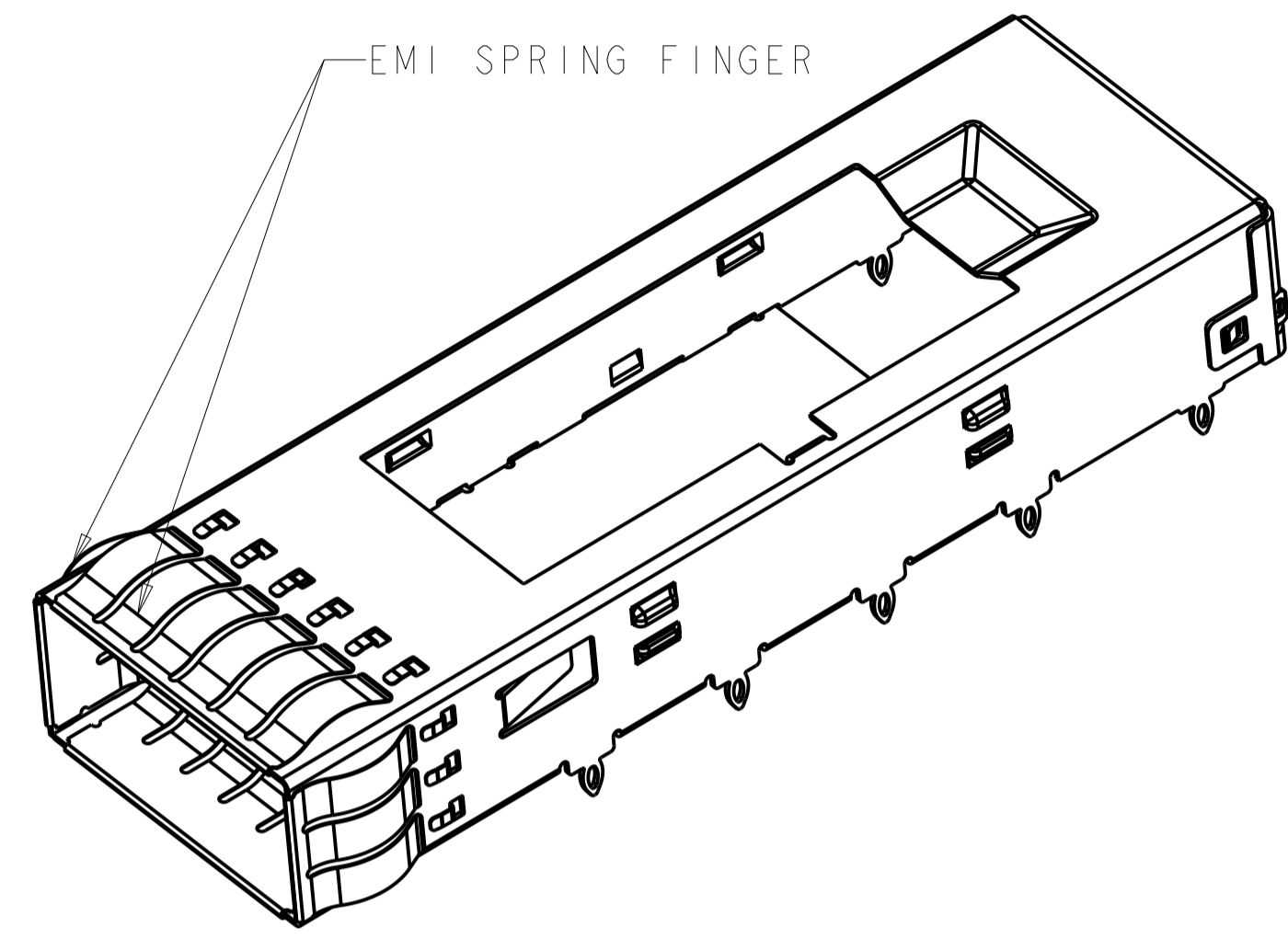


5-2170703-2, 5-2170703-4, 2-2170703-8, 2-2170709-9
WITH INSULATING TAPE
SCALE 3:1

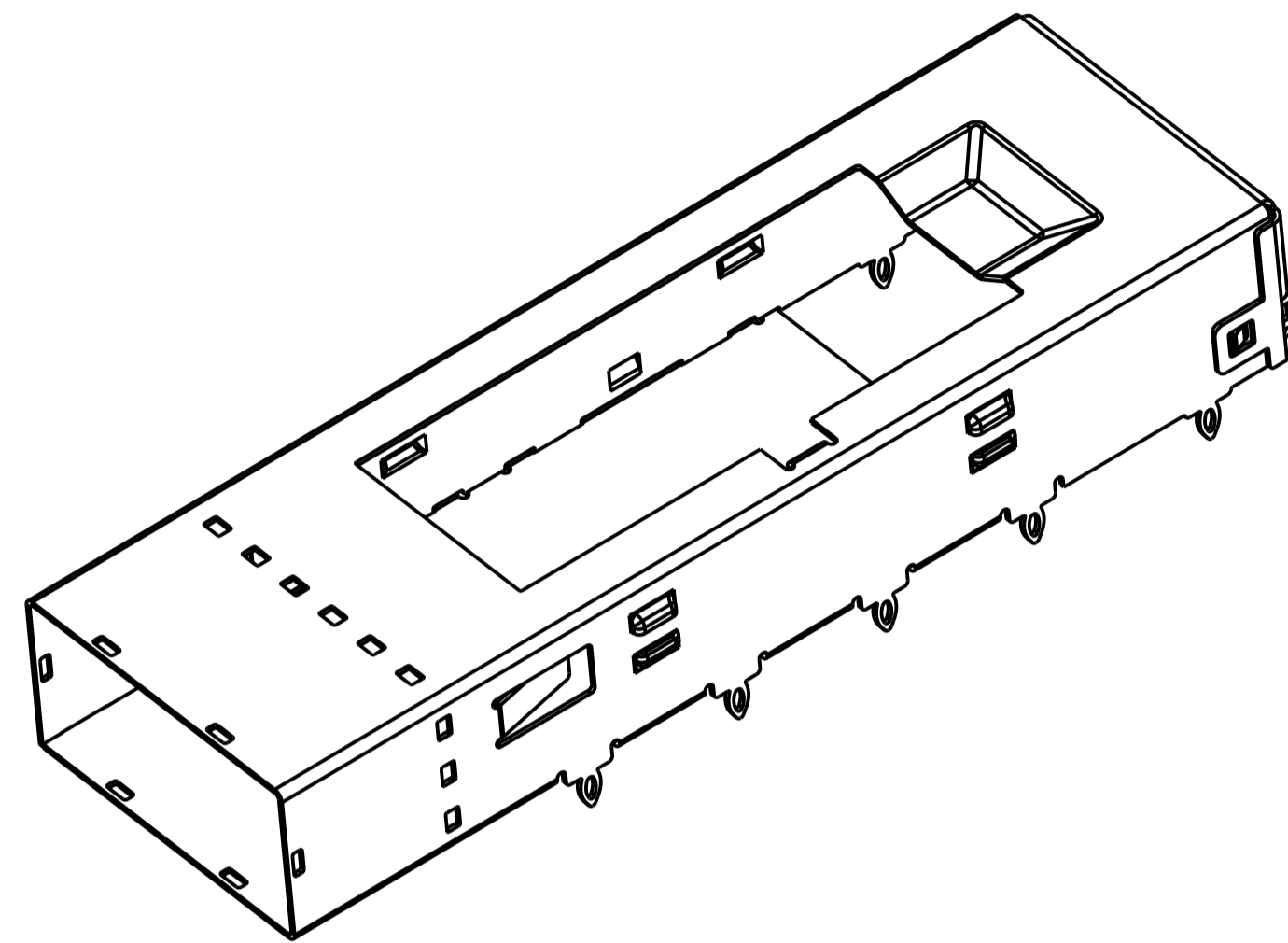
THIS DRAWING IS A CONTROLLED DOCUMENT.		DWN: JASON YANG 23SEP2013	TE Connectivity
		CHK: SEAN HAN 29JAN2016	
DIMENSIONS:		PRODUCT SPEC: 108-19428 APPLICATION SPEC: 114-32023	
mm	0 PLC ± 0.25 1 PLC ± 0.25 2 PLC ± 0.20 3 PLC ± 0.20 4 PLC ± 0.100	NAME: CAGE ASSEMBLY, QSFP28 1X1 THRU BEZEL WITH EMI SPRING FINGER SIZE: A CAGE CODE: 00779 DRAWING NO: 2170703 WEIGHT: - RESTRICTED TO: RESTRICTED CUSTOMER	
MATERIAL: -		FINISH: - SCALE: 2:1 SHEET: 2 OF 7 REV: D1	

SPRING FINGER OPTIONS

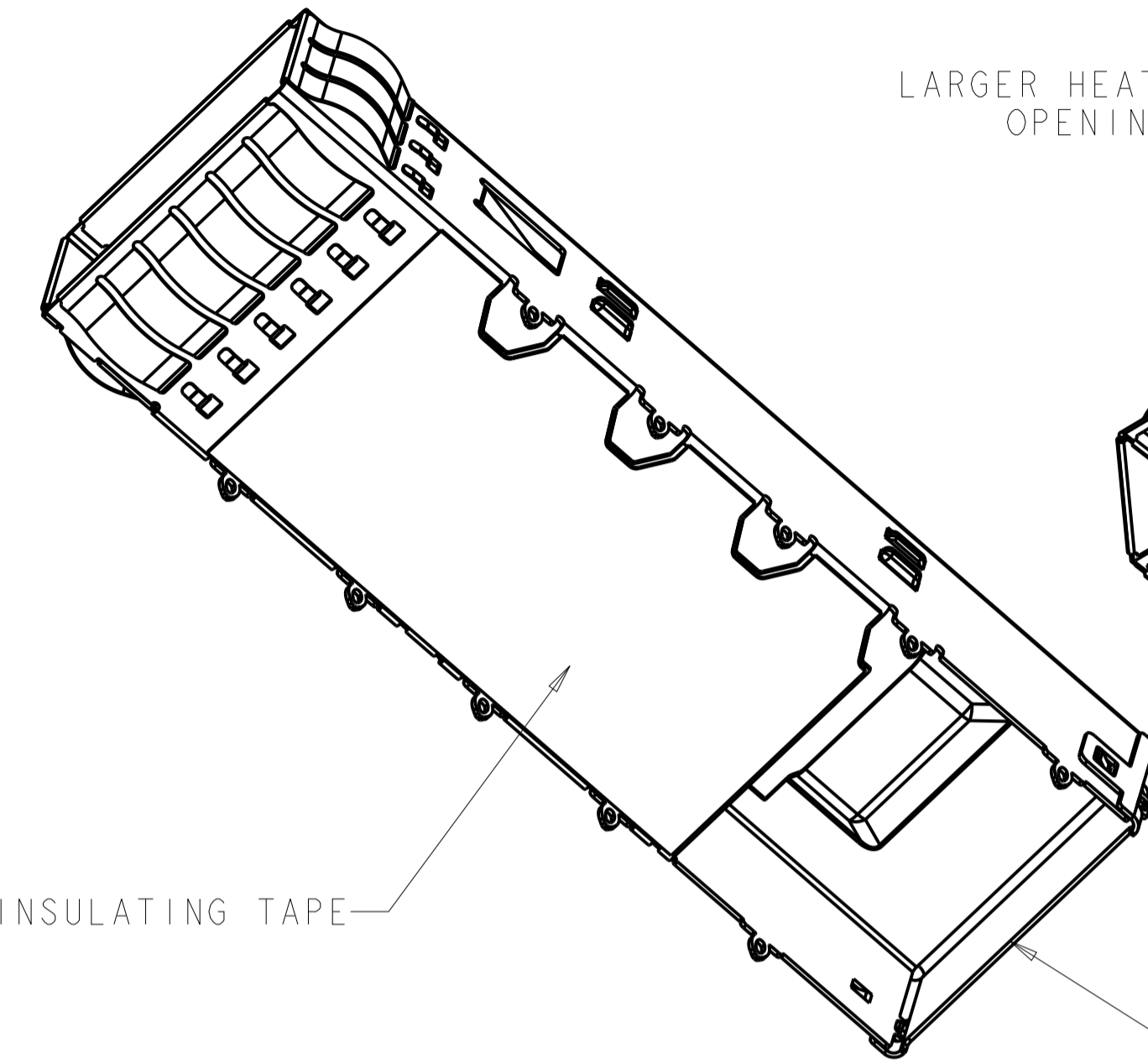
REVISIONS				
P.	LTN	DESCRIPTION	DATE	APVD
-	-	SEE SHEET 1	-	-



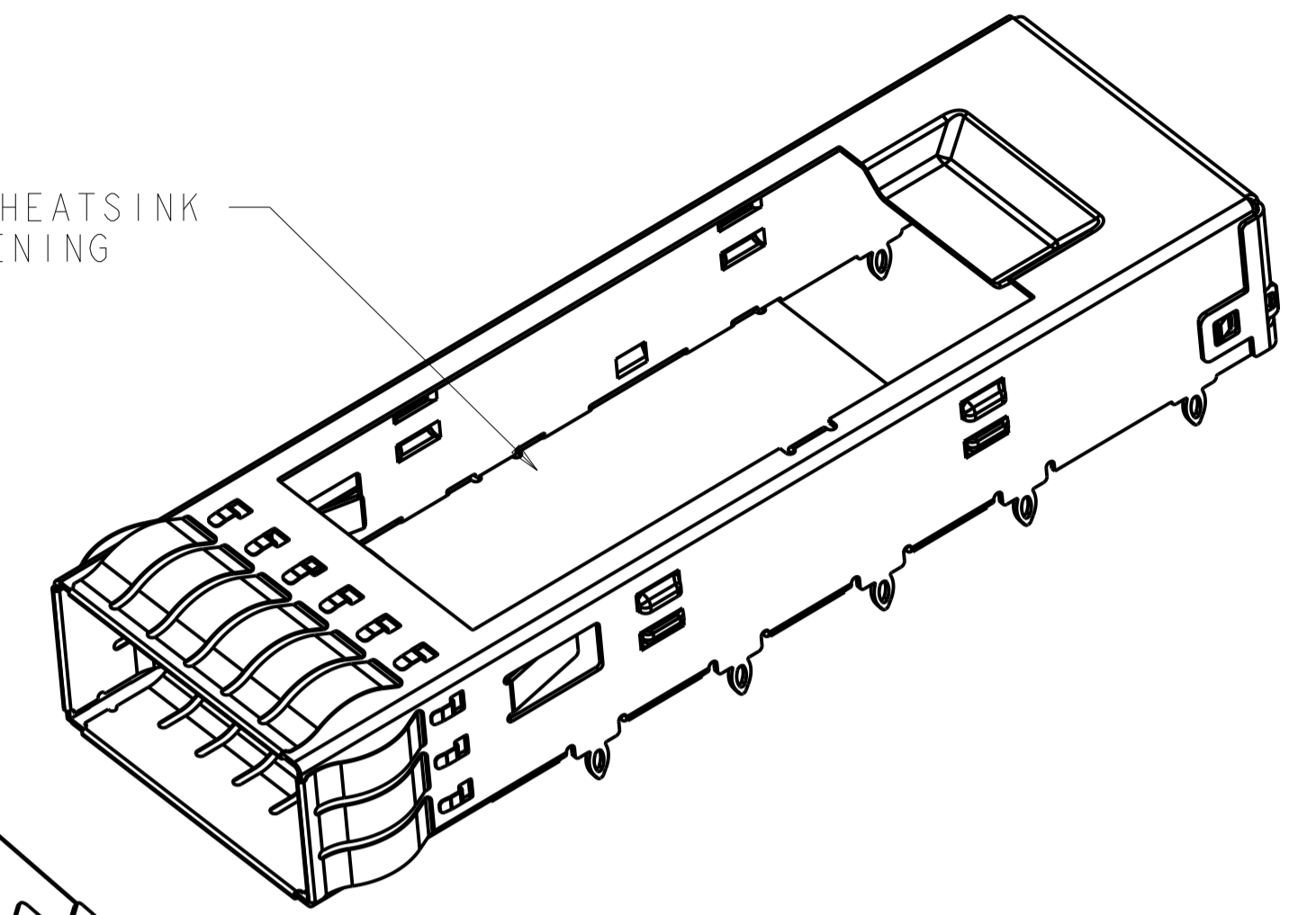
WITH EMI SPRING FINGER
SCALE 3:1



2-2170703-7
WITHOUT EMI SPRING FINGER
SCALE 3:1

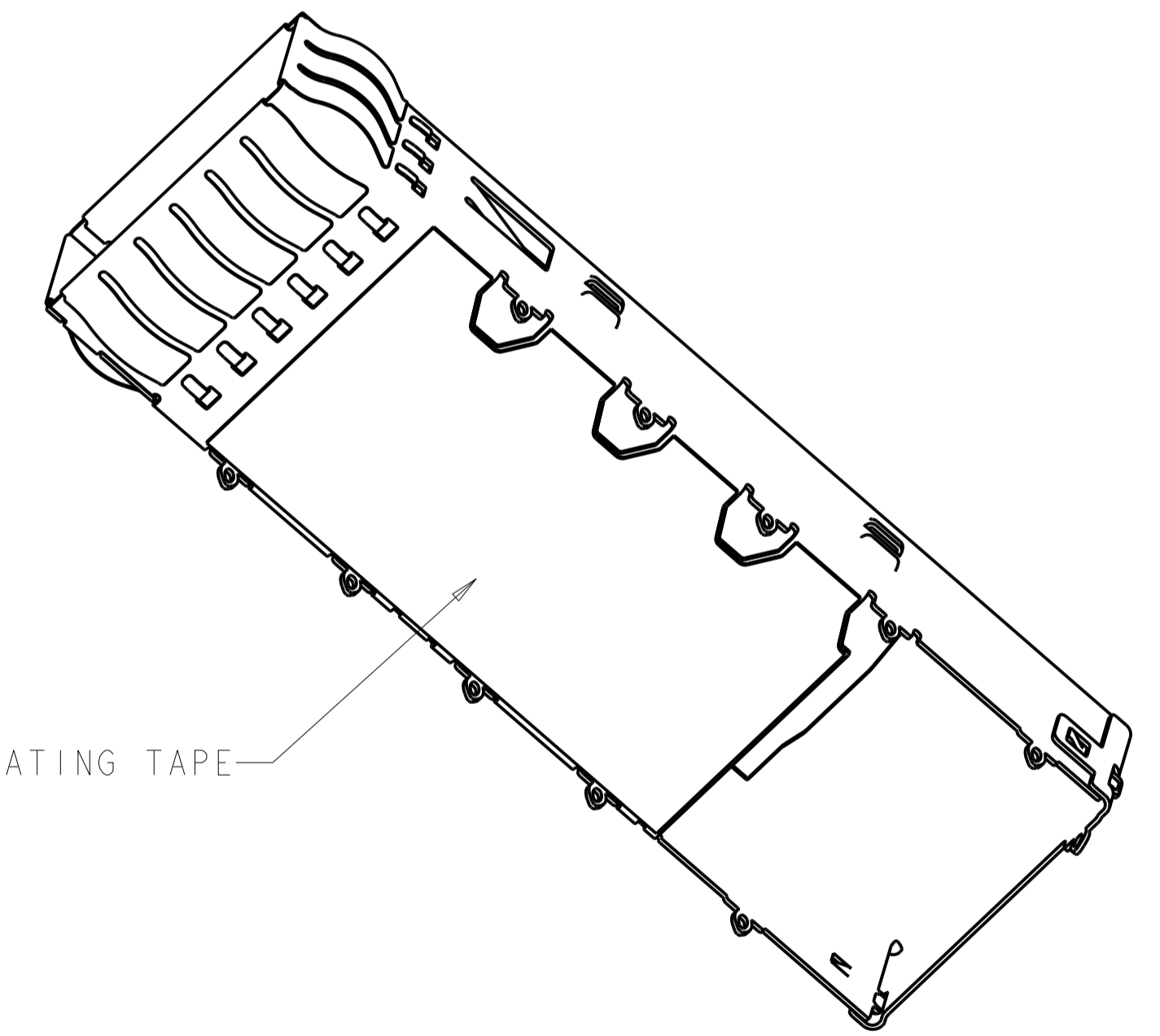
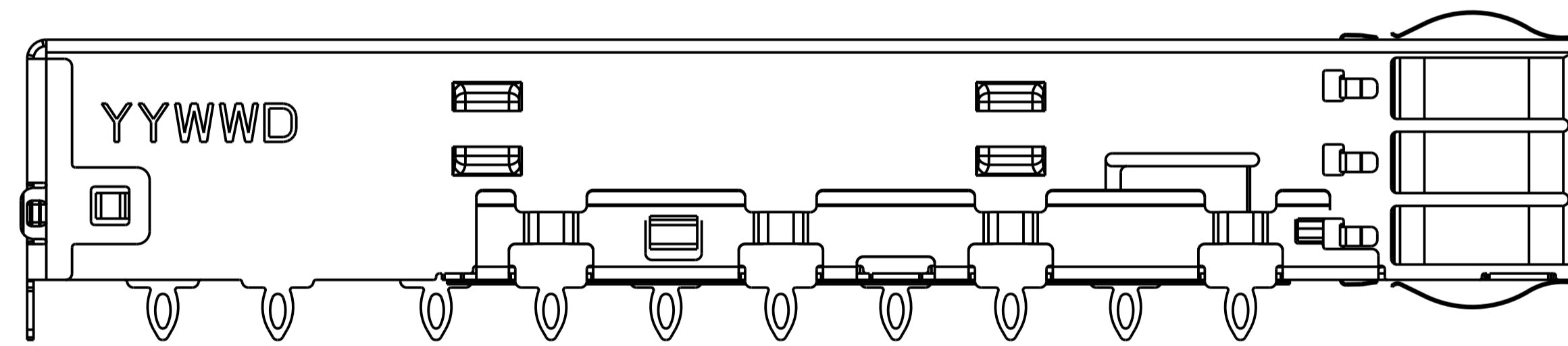
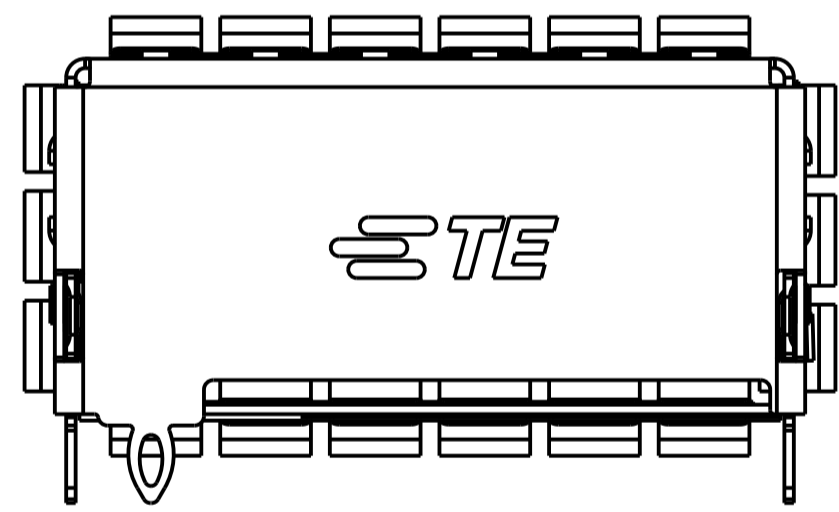


INSULATING TAPE
SCALE 3:1

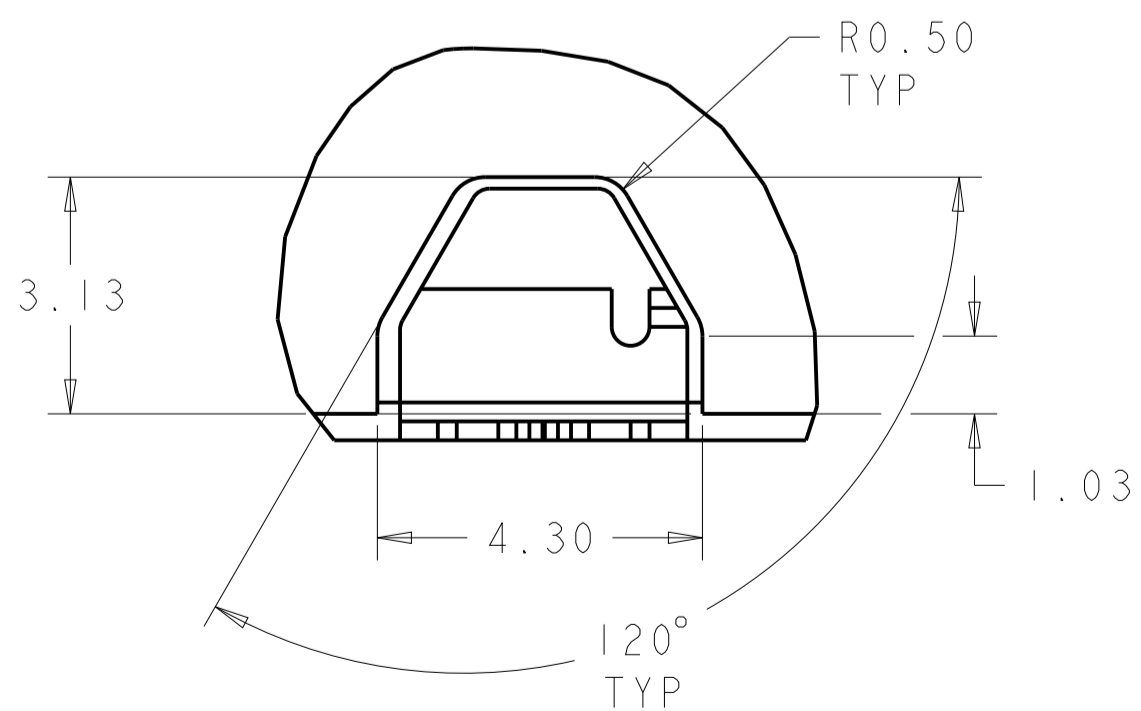


LARGER HEATSINK
OPENING
SCALE 3:1
WITHOUT REAR EONS

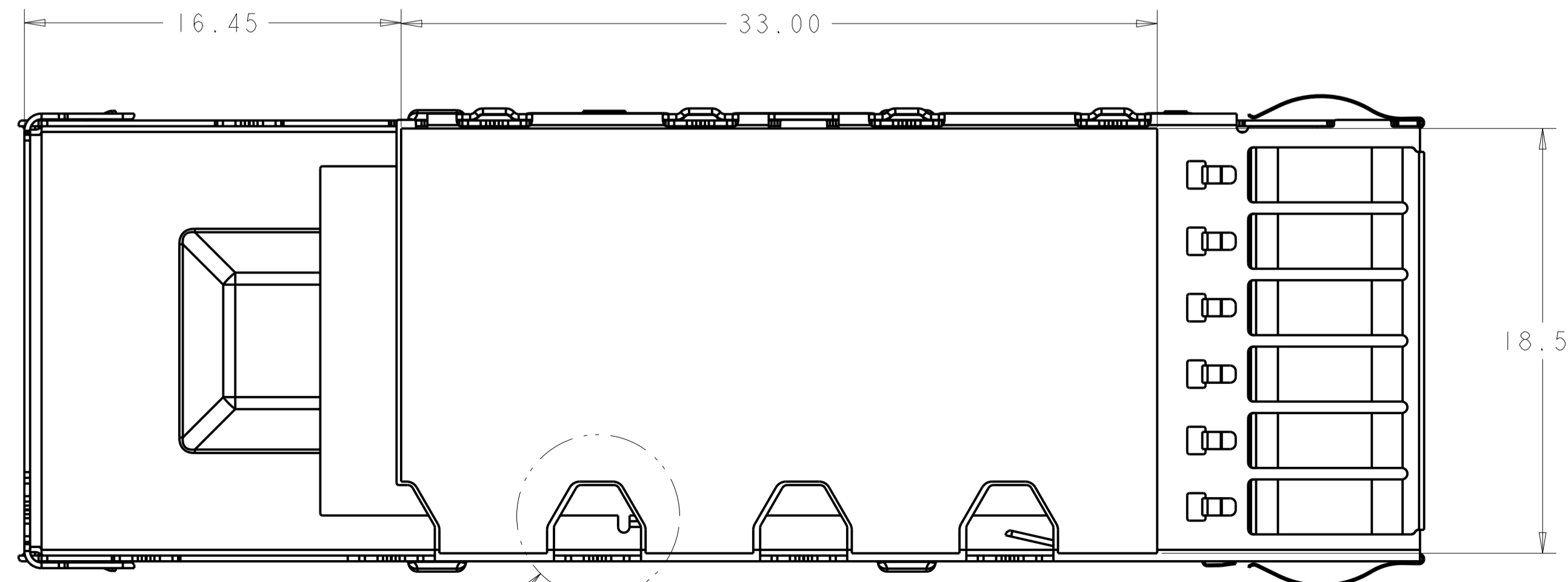
2-2170703-8



INSULATING TAPE
SCALE 3:1



DETAIL A
SCALE 10:1

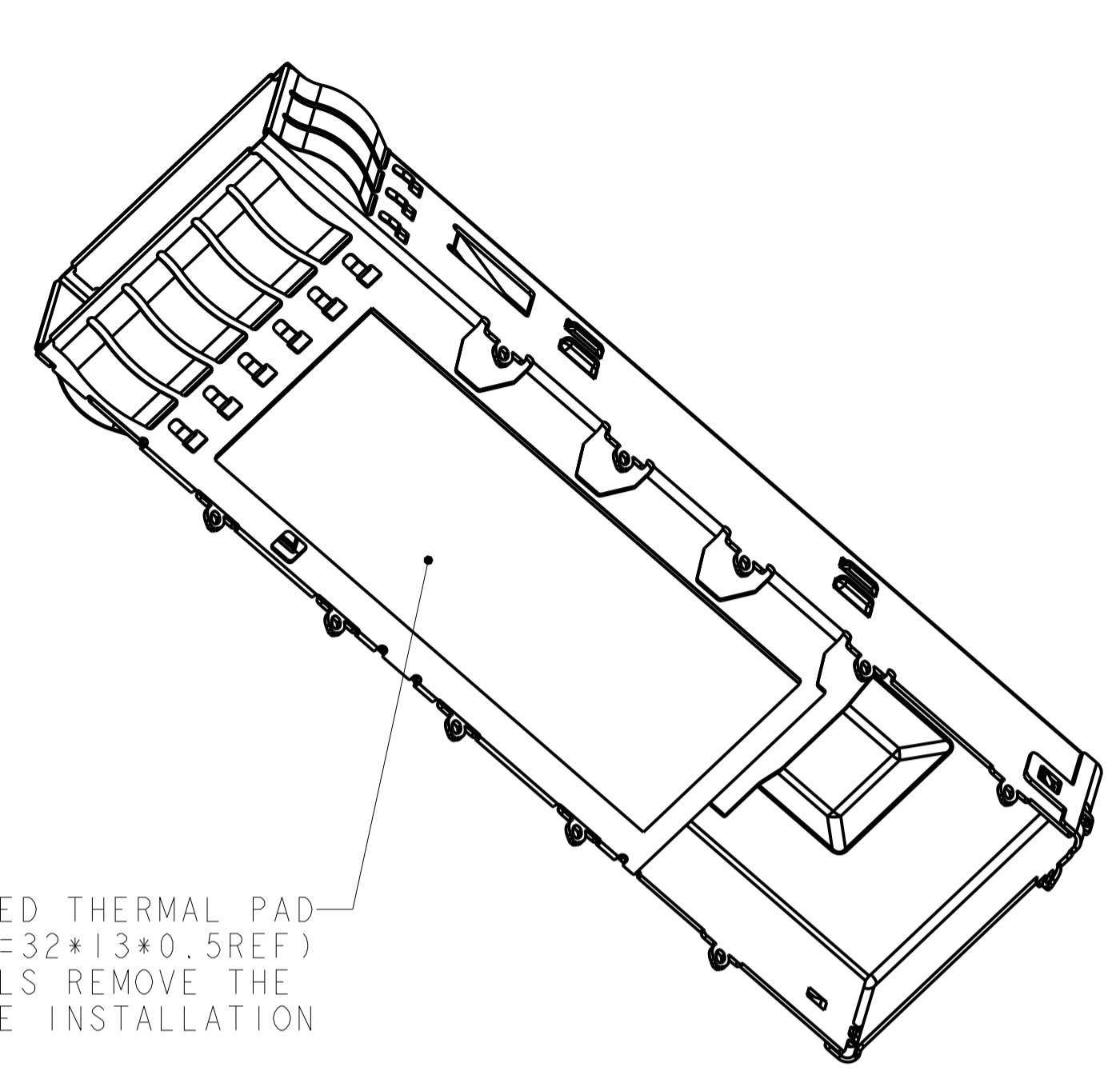


SEE DETAIL A

NOTE: 2-2170703-8 DIMENSIONS MARKED ARE FOR INSULATING TAPE

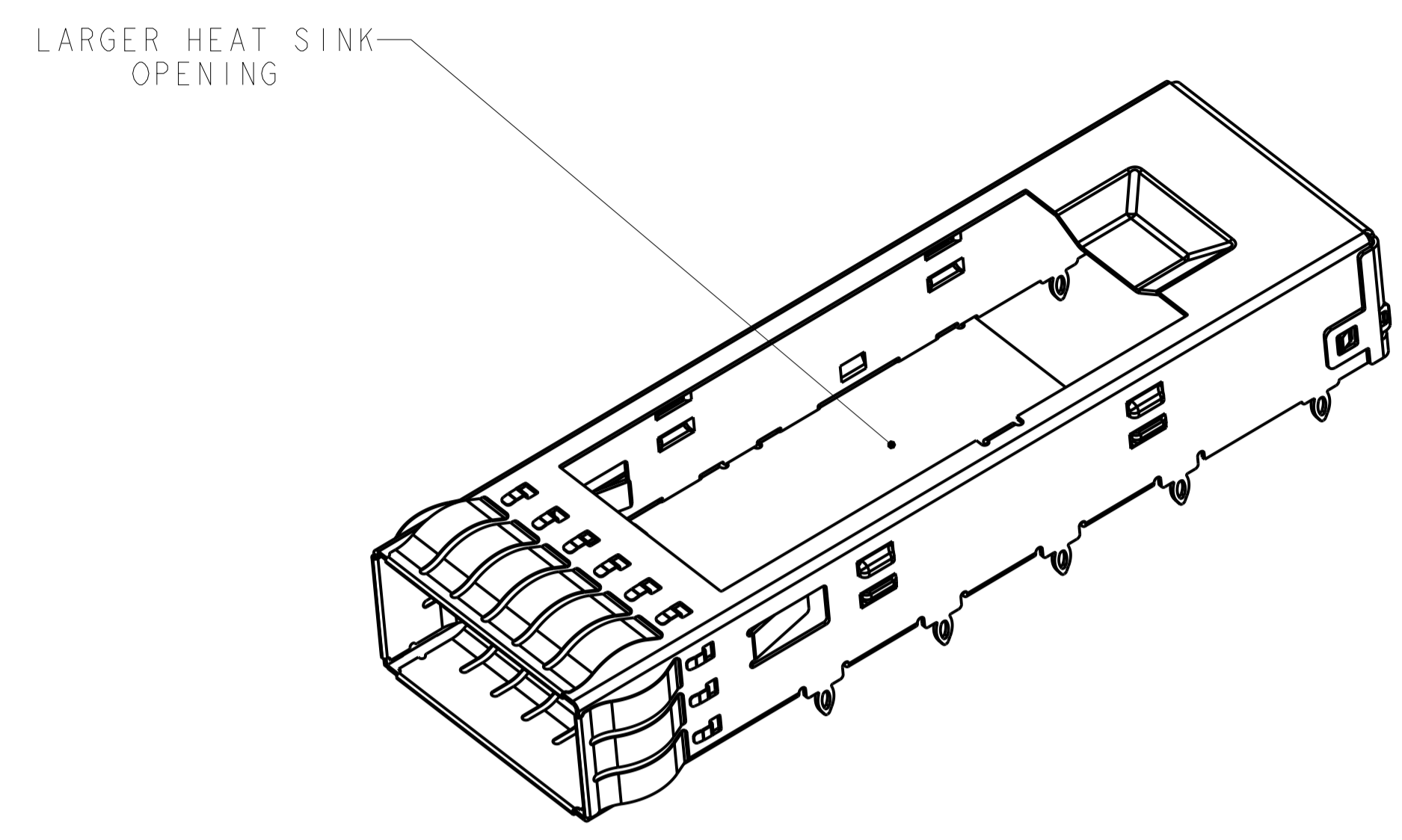
THIS DRAWING IS A CONTROLLED DOCUMENT.		OWN: JASON YANG 23SEP2013	TE Connectivity
		CHK: SEAN HAN 29JAN2016	
DIMENSIONS:	TOLERANCES UNLESS OTHERWISE SPECIFIED:	PRODUCT SPEC	NAME
mm	0 PLC ± 0.25	108-19428	CAGE ASSEMBLY, OSFP28 1X1 THRU
	1 PLC ± 0.25	APPLICATION SPEC	BEZEL WITH EMI SPRING FINGER
	3 PLC ± 0.20	114-32023	SIZE CAGE CODE DRAWING NO
	4 PLC ± 0.100		A100779C= 2170703
	ANGLES		RESTRICTED TO
MATERIAL	FINISH	WEIGHT	RESTRICTED CUSTOMER
			SCALE 2:1 SHEET 3 OF 7 REV D1

REVISIONS				
P.	LTN	DESCRIPTION	DATE	APVD
-	-	SEE SHEET 1	-	-



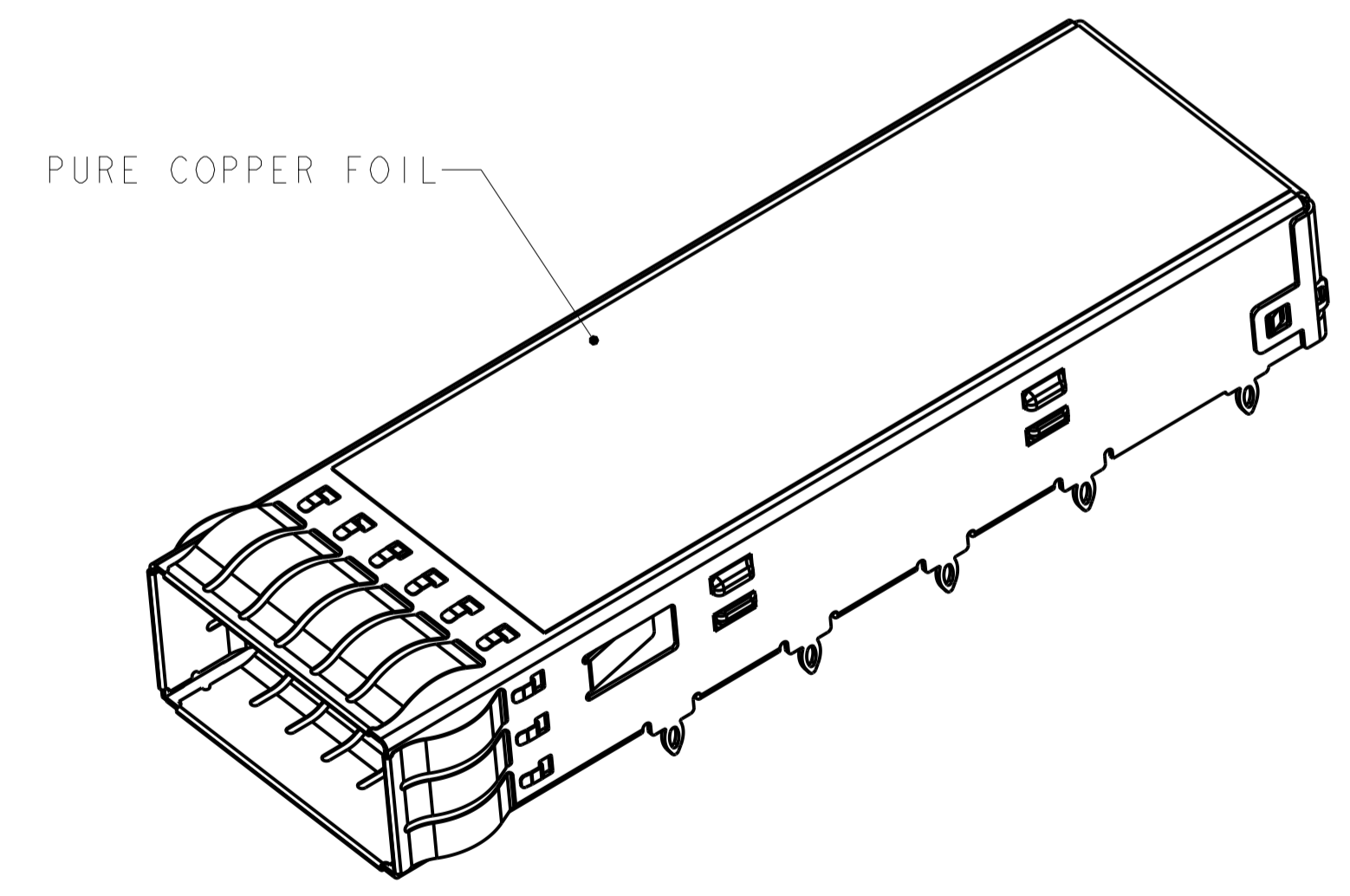
CUSTOMIZED THERMAL PAD
(LXWXH=32*13*0.5REF)
NOTES: PLS REMOVE THE
TRANSPARENT FILM BEFORE INSTALLATION

SCALE 3:1

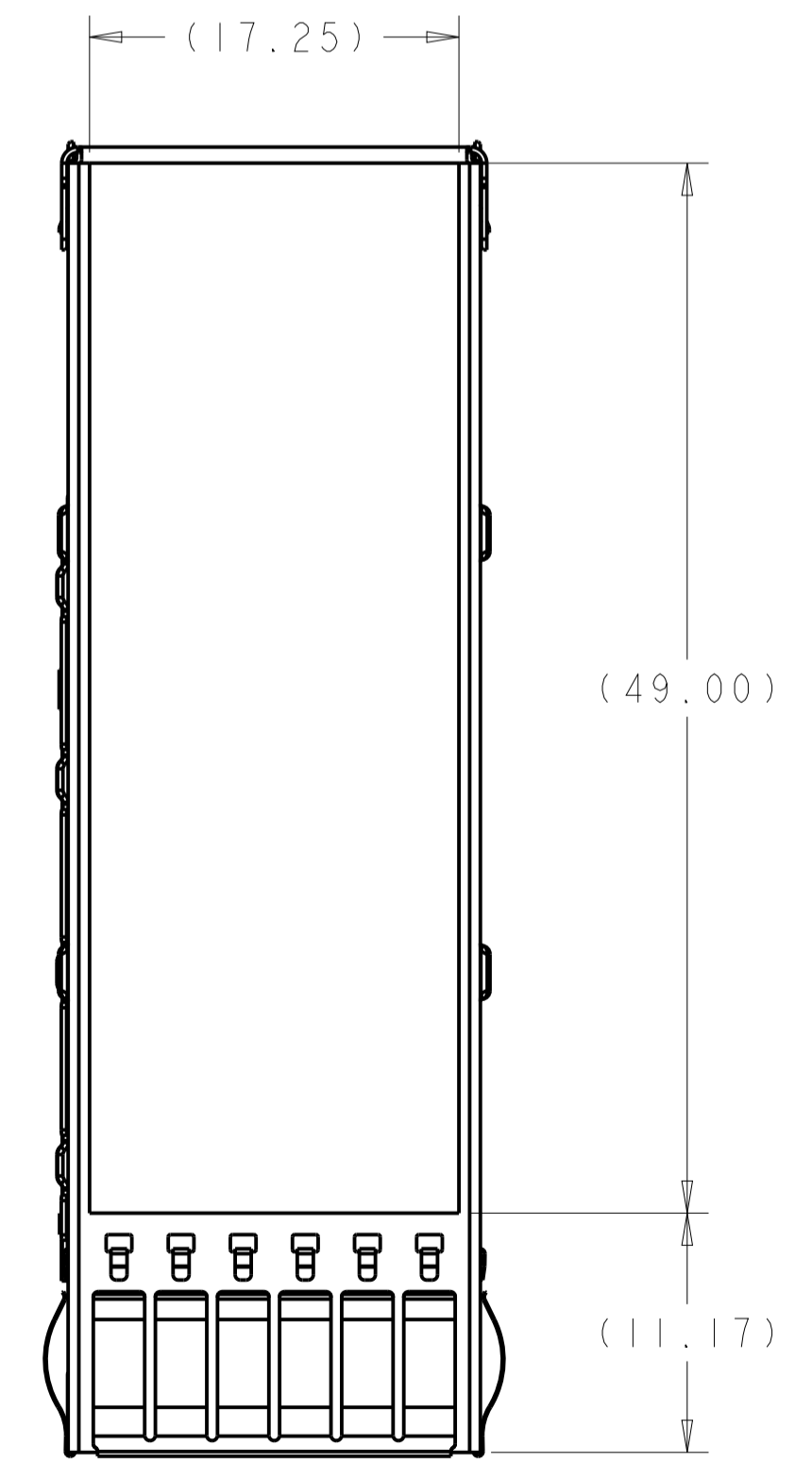


4-2170703-6 AS SHOWN
SAME AS 2-2170703-6 EXCEPT WITH THERMAL PAD
SCALE 3:1

PURE COPPER FOIL OPTIONS



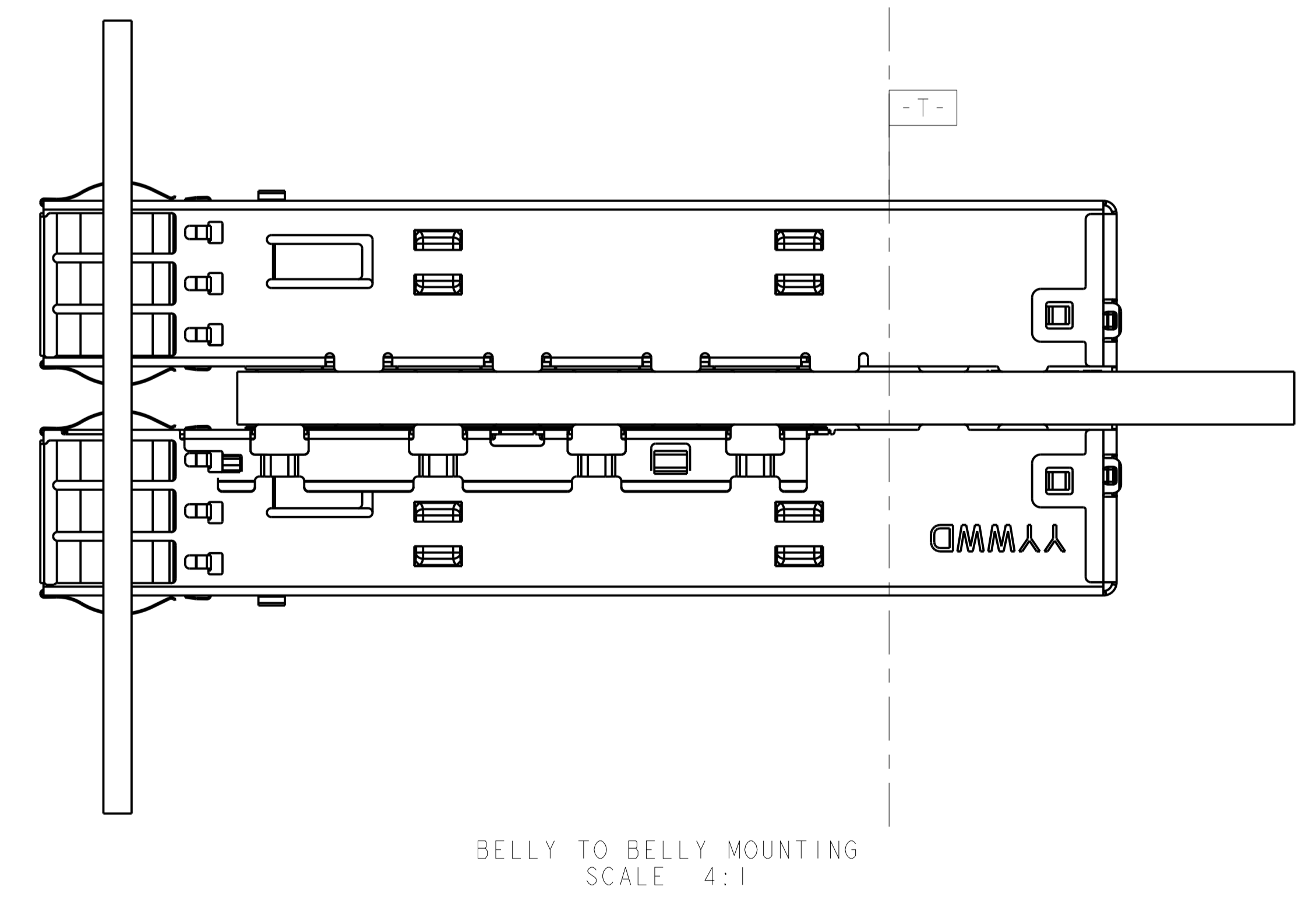
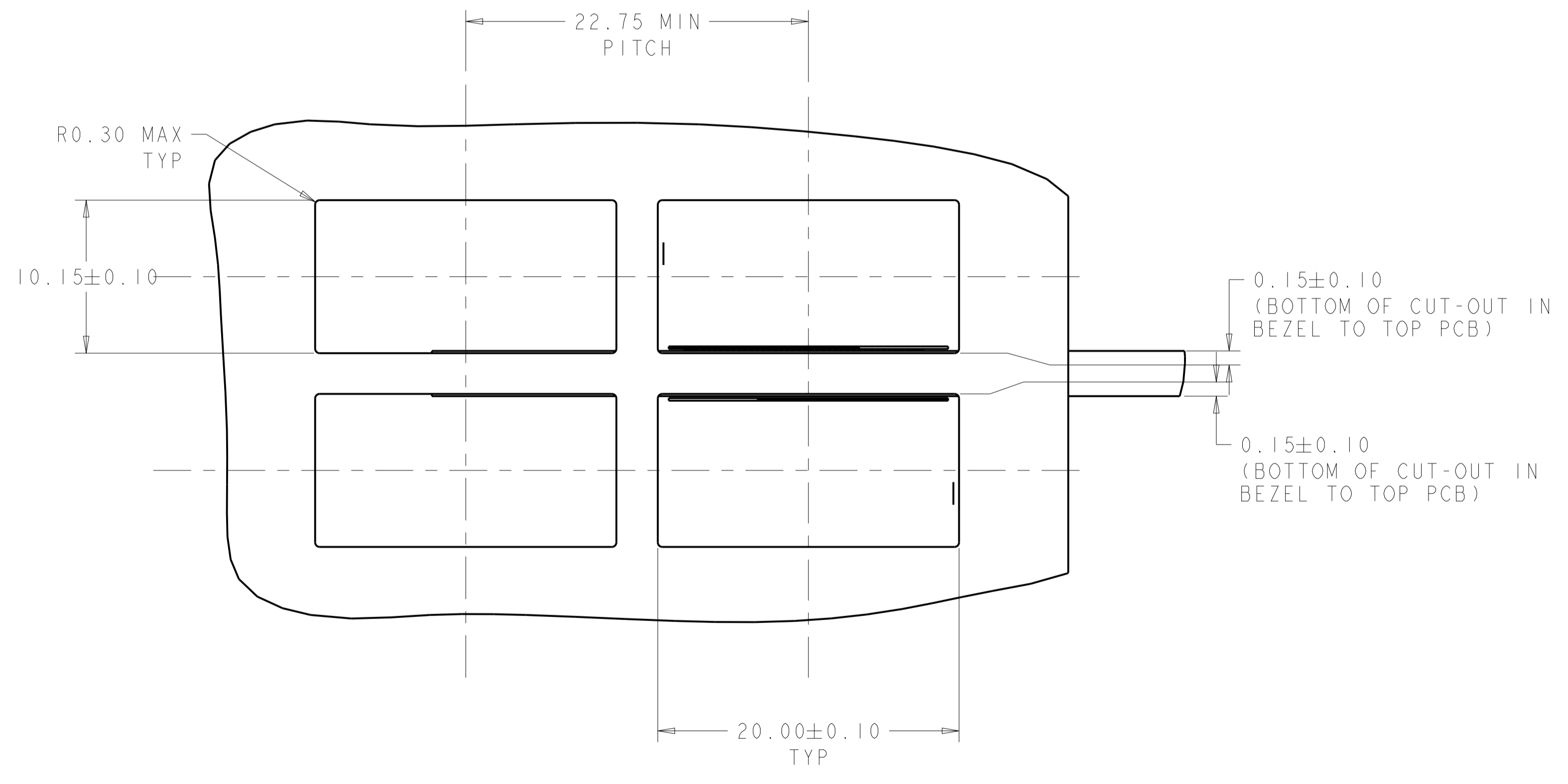
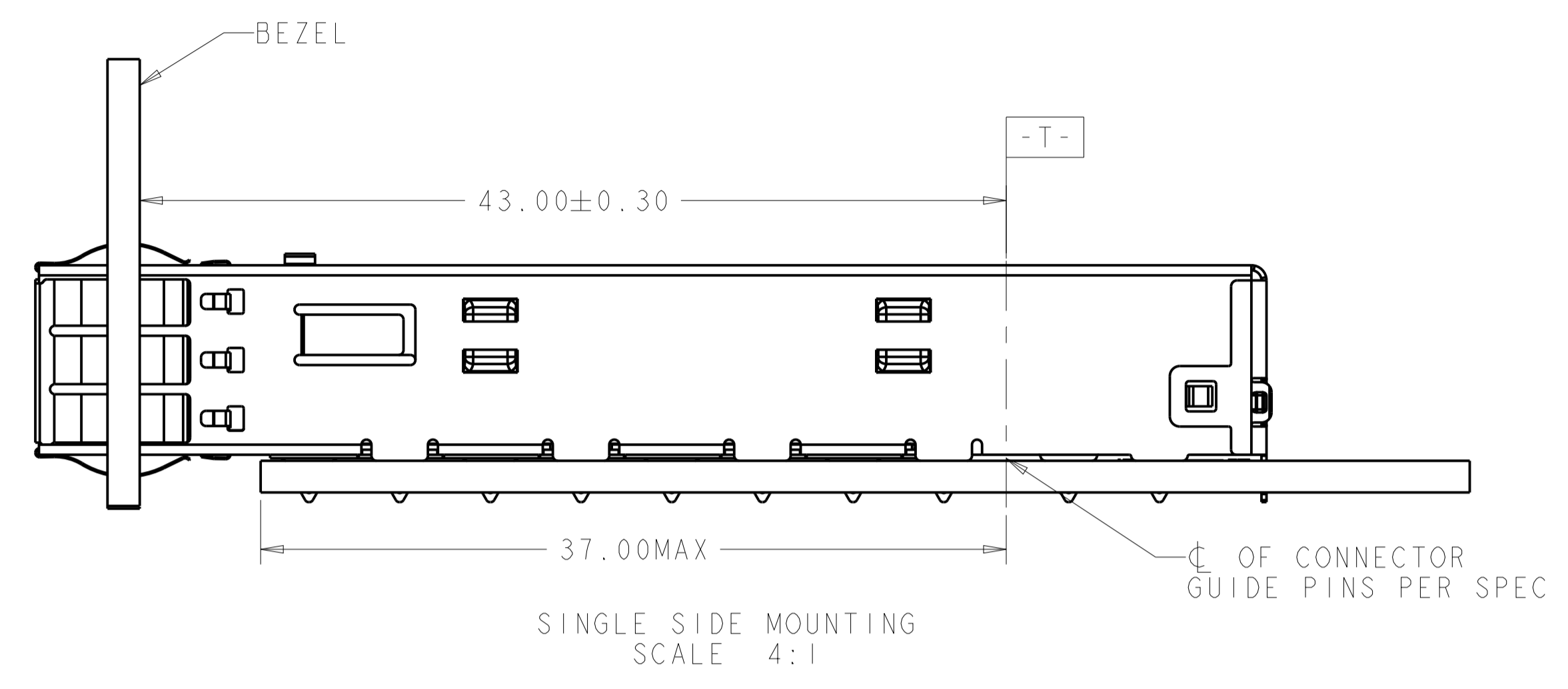
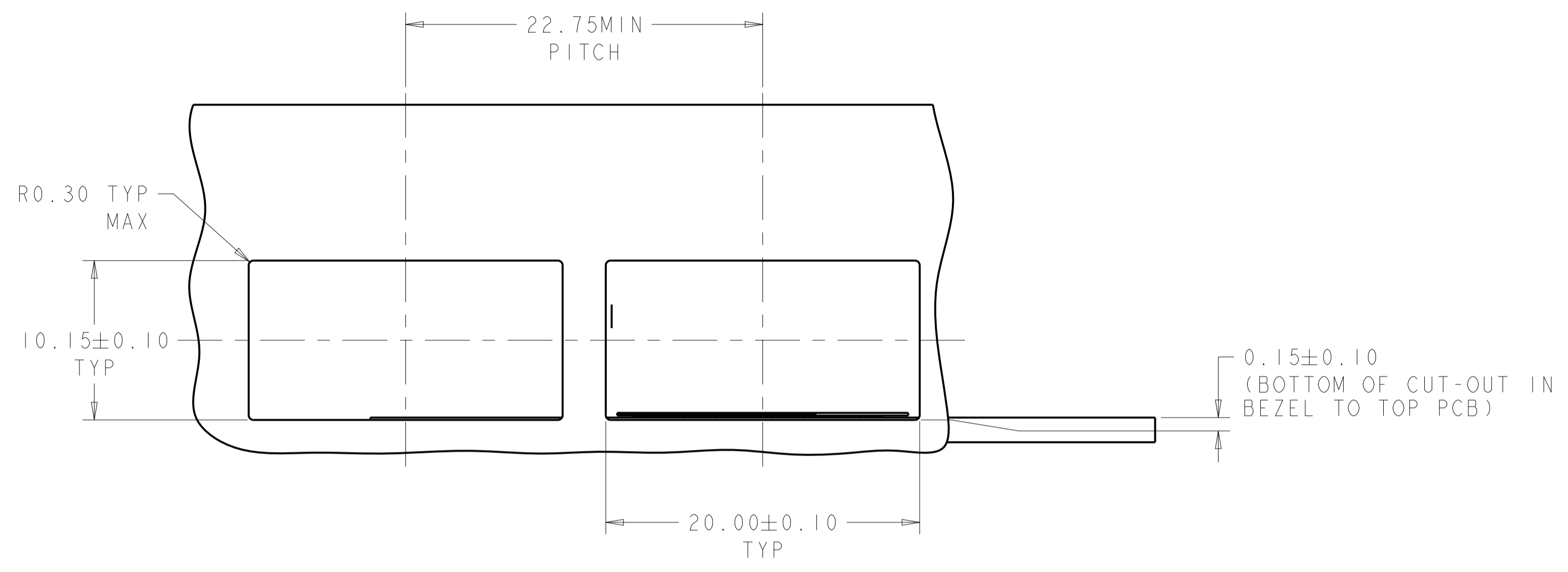
1-2170703-4
SCALE 3:1



SCALE 3:1

THIS DRAWING IS A CONTROLLED DOCUMENT.		DWN: JASON YANG 23SEP2013	
		CHK: SEAN HAN 29JAN2016	
DIMENSIONS:	TOLERANCES UNLESS OTHERWISE SPECIFIED:	APVD: -	NAME: CAGE ASSEMBLY, QSFP28 1X1 THRU BEZEL WITH EMI SPRING FINGER
mm	0 PLC ± 0.25 1 PLC ± 0.25 2 PLC ± 0.20 3 PLC ± 0.20 4 PLC ± 0.100	PRODUCT SPEC: 108-19428	RESTRICTED TO: A100779C= 2170703
	ANGLES ±	APPLICATION SPEC: 114-32023	SIZE: A100779C= 2170703
MATERIAL: -	FINISH: -	WEIGHT: -	SCALE: 2:1 SHEET 4 OF 7 REV: D1
		RESTRICTED CUSTOMER	

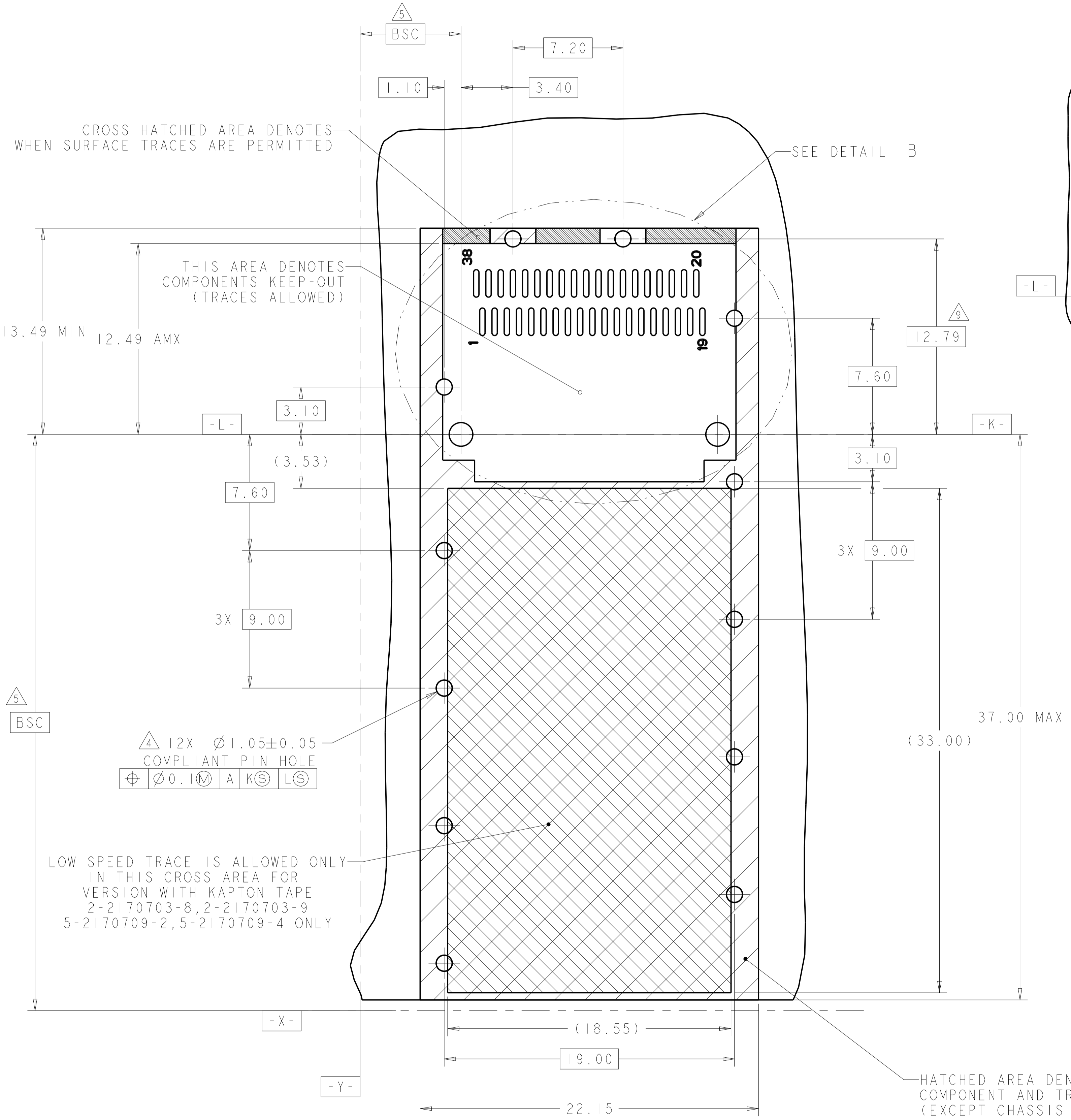
REVISIONS				
P.	LTN	DESCRIPTION	DATE	APVD
-	-	SEE SHEET 1	-	-



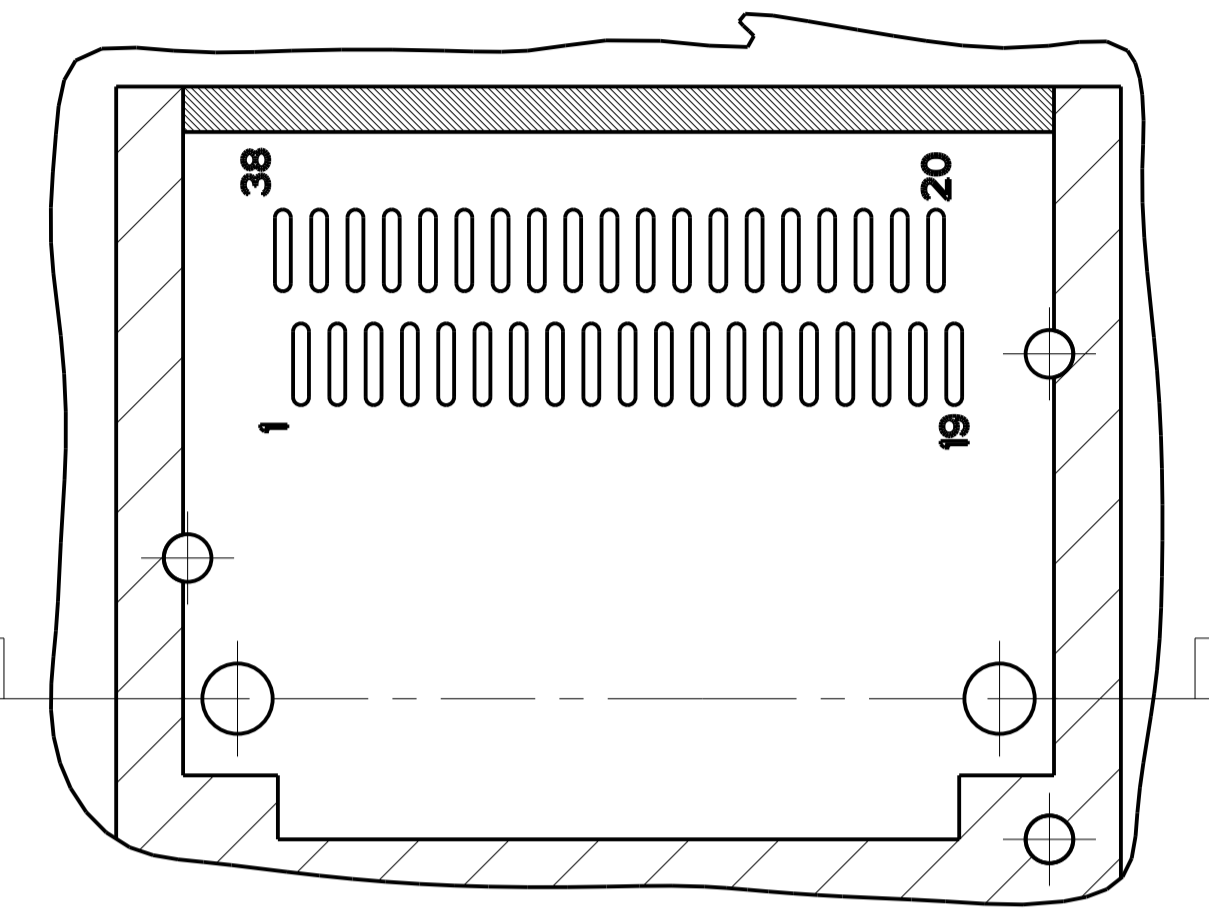
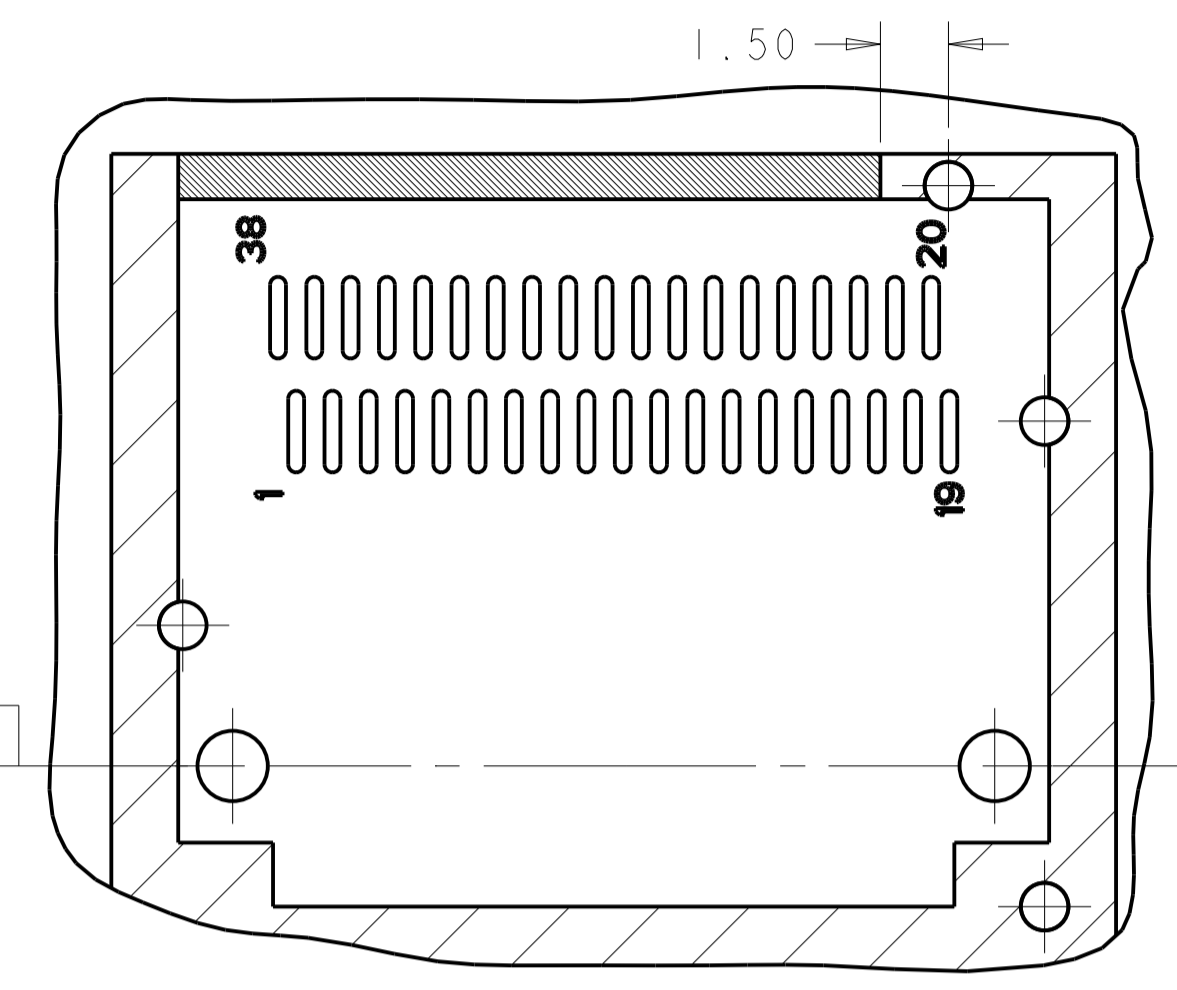
BELLY TO BELLY MOUNTING
SCALE 4:1

THIS DRAWING IS A CONTROLLED DOCUMENT.		DWN: JASON YANG 23SEP2013	TE Connectivity
		CHK: SEAN HAN 29JAN2016	
DIMENSIONS:	TOLERANCES UNLESS OTHERWISE SPECIFIED:	APVD: -	NAME: CAGE ASSEMBLY, QSFP28 1X1 THRU BEZEL WITH EMI SPRING FINGER
mm	0 PLC ± 0.25	PRODUCT SPEC: 108-19428	SIZE: A
	1 PLC ± 0.25	APPLICATION SPEC: 114-32023	CAGE CODE: 00779
	2 PLC ± 0.20	WEIGHT: -	DRAWING NO: 2170703
	3 PLC ± 0.100	RESTRICTED CUSTOMER	SCALE: 2:1
	4 PLC ± -		SHEET 5 OF 7
	ANGLES ± -		REV: D1
MATERIAL: -	FINISH: -		

REVISIONS				
P.	LTN	DESCRIPTION	DATE	APVD
-	SEE SHEET 1			

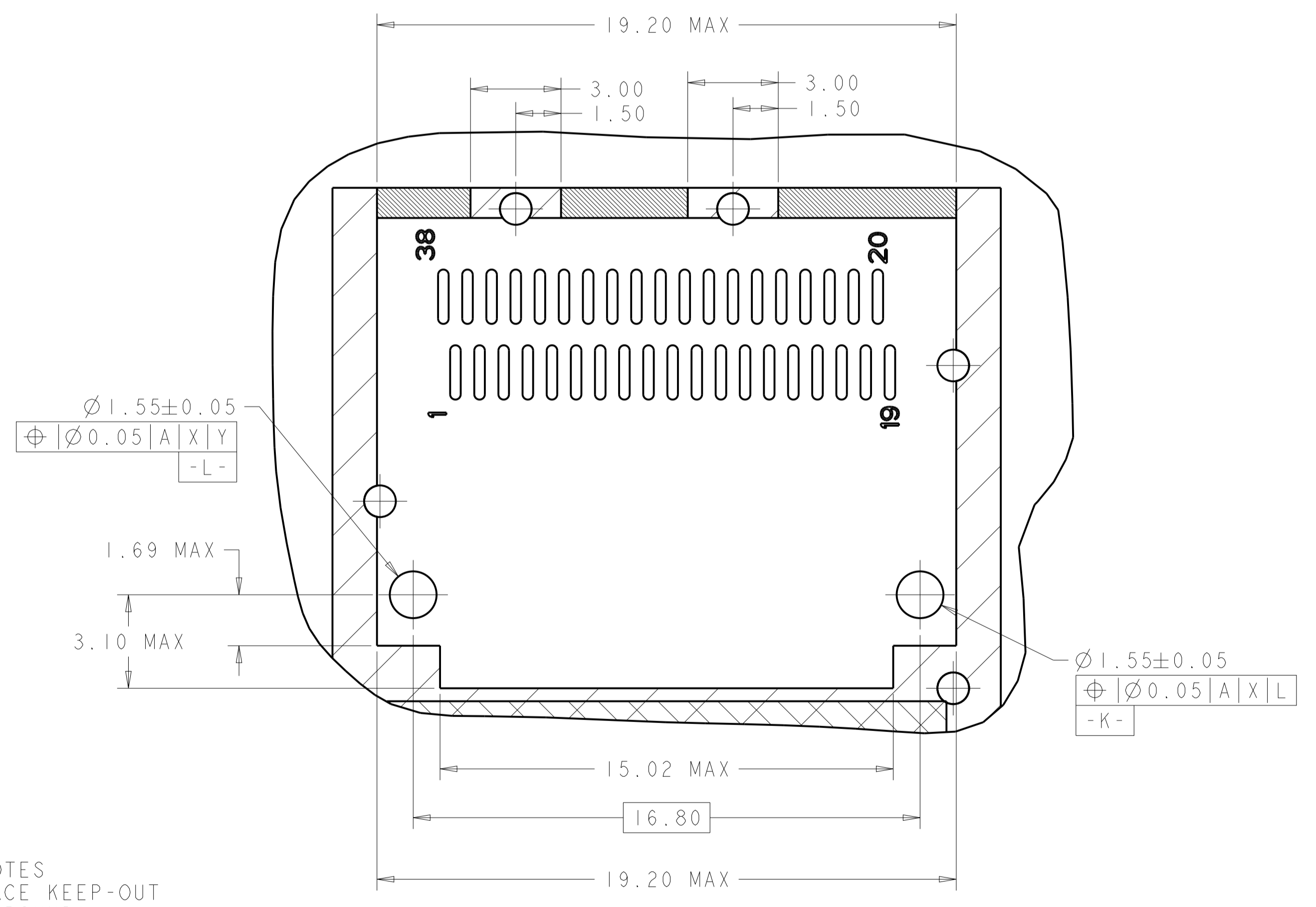


RECOMMENDED PCB LAYOUT
SINGLE TYPE OF 2 REAR HOLES OF LEGS
PCB TOLERANCE: ±0.05
SCALE 6:1



RECOMMENDED PCB LAYOUT
SINGLE TYPE OF 1 REAR HOLES OF LEGS
PCB TOLERANCE: ±0.05
SCALE 6:1

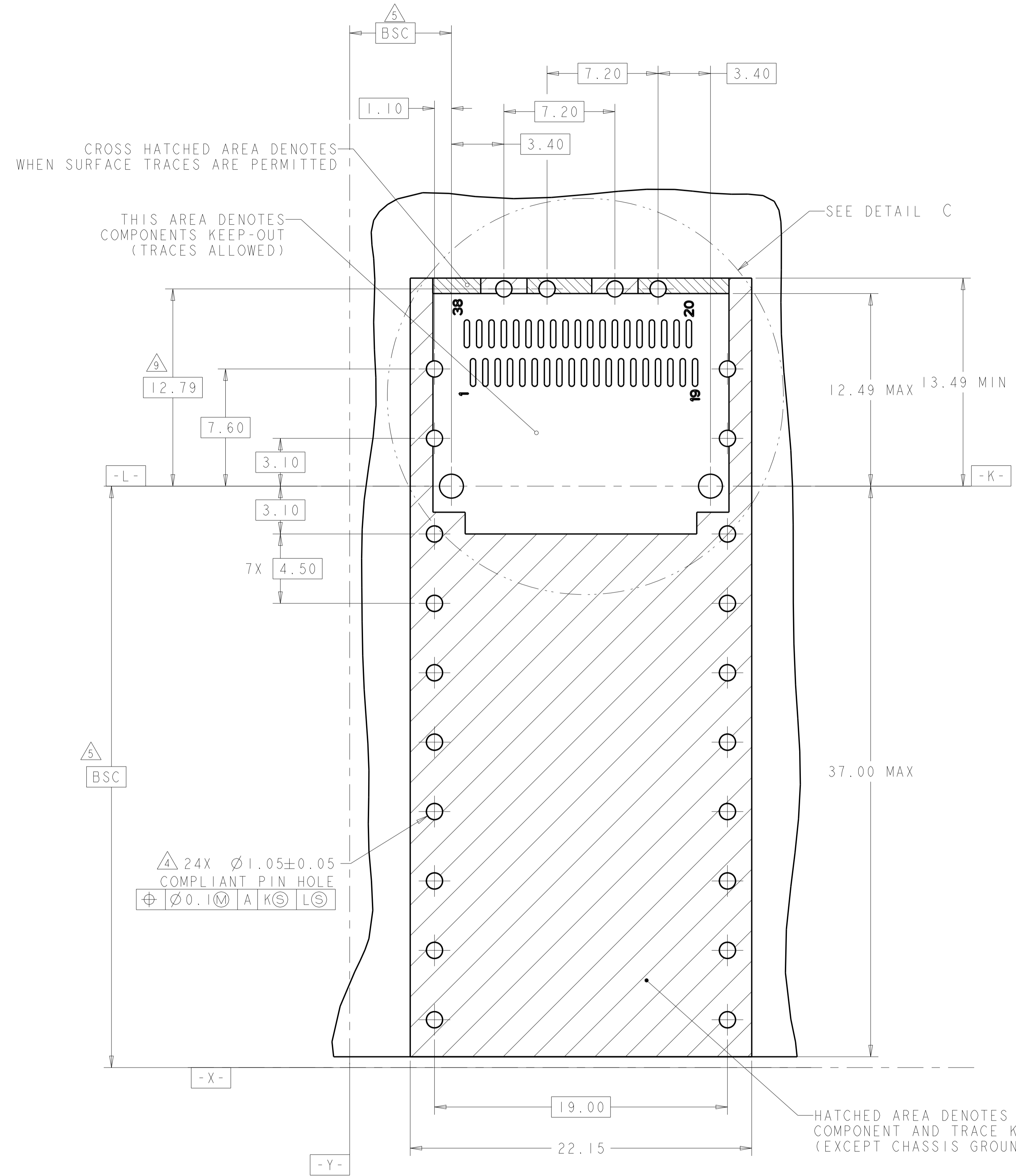
RECOMMENDED PCB LAYOUT
SINGLE TYPE OF 0 REAR HOLES OF LEGS
PCB TOLERANCE: ±0.05
SCALE 6:1



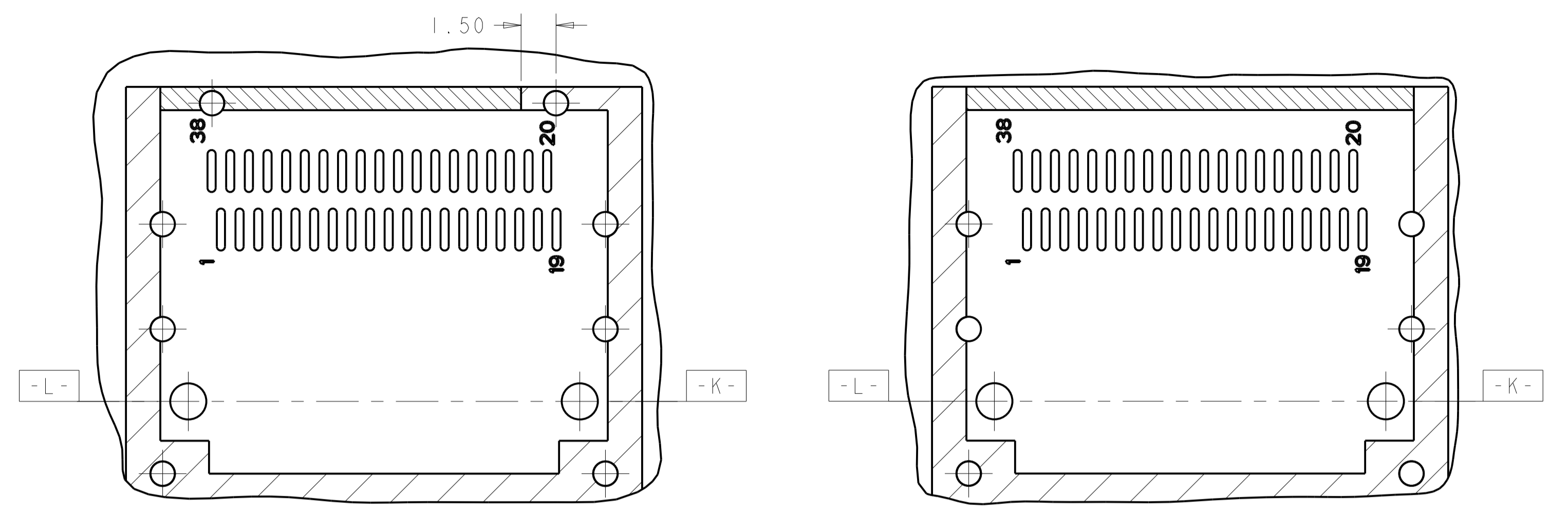
DETAIL B
SCALE 8:1

THIS DRAWING IS A CONTROLLED DOCUMENT.		OWN: JASON YANG 23SEP2013	TE Connectivity
		CHK: SEAN HAN 29JAN2016	
DIMENSIONS:	TOLERANCES UNLESS OTHERWISE SPECIFIED:	APVD:	NAME:
mm	0 PLC ± 0.25 1 PLC ± 0.25 2 PLC ± 0.25 3 PLC ± 0.20 4 PLC ± 0.100	PRODUCT SPEC	CAGE ASSEMBLY, QSFP28 1X1 THRU BEZEL WITH EMI SPRING FINGER
	ANGLES	APPLICATION SPEC	SIZE: CAGE CODE DRAWING NO
MATERIAL:	FINISH:	114-32023	A 00779 2170703
		RESTRICTED CUSTOMER	RESTRICTED TO

REVISIONS				
REV	DATE	BY	APPV	DESCRIPTION
-	-	-	-	SEE SHEET 1

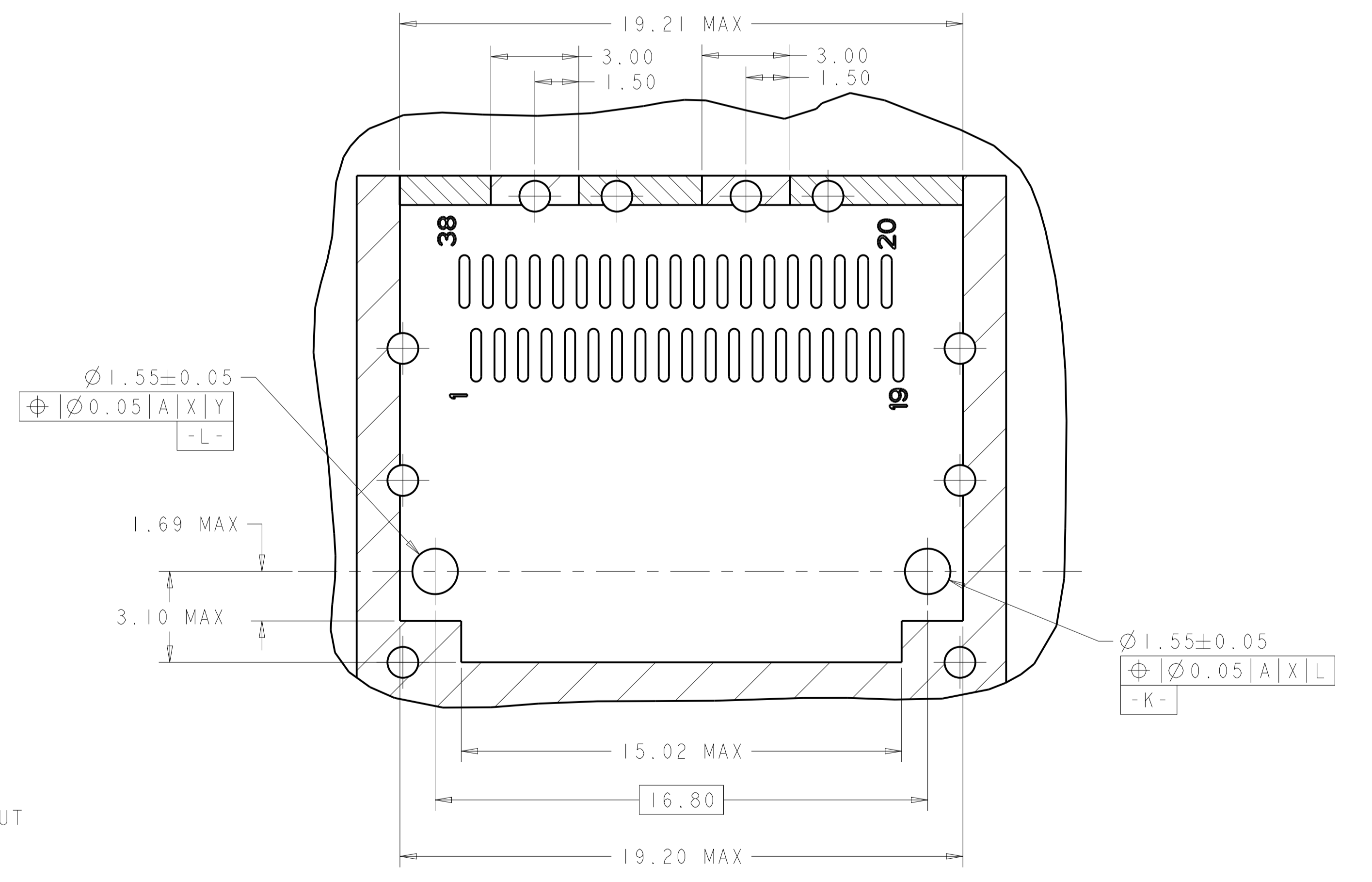


RECOMMENDED PCB LAYOUT
 BELLY TO BELLY TYPE OF 2 REAR HOLES OF LEGS
 PCB TOLERANCE: ± 0.05
 SCALE 6:1



RECOMMENDED PCB LAYOUT
 BELLY TO BELLY TYPE OF 1 REAR HOLES OF LEGS
 PCB TOLERANCE: ± 0.05
 SCALE 6:1

RECOMMENDED PCB LAYOUT
 BELLY TO BELLY TYPE OF 0 REAR HOLES OF LEGS
 PCB TOLERANCE: ± 0.05
 SCALE 6:1



DETAIL C
 SCALE 8:1

THIS DRAWING IS A CONTROLLED DOCUMENT.		OWN: JASON YANG 23SEP2013	TE Connectivity
DIMENSIONS: mm		CHK: SEAN HAN 29JAN2016	
TOLERANCES UNLESS OTHERWISE SPECIFIED:		APVD: -	NAME: CAGE ASSEMBLY, QSFP28 1X1 THRU BEZEL WITH EMI SPRING FINGER
0 PLC ± 0.25	1 PLC ± 0.25	PRODUCT SPEC: 108-19428	SIZE: A
2 PLC ± 0.20	3 PLC ± 0.20	APPLICATION SPEC: 114-32023	CAGE CODE: 00779
4 PLC ± 0.100	ANGLES \pm	WEIGHT: -	DRAWING NO: 2170703
MATERIAL: -	FINISH: -	RESTRICTED CUSTOMER	SCALE: 2:1 SHEET 7 OF 7 REV: D