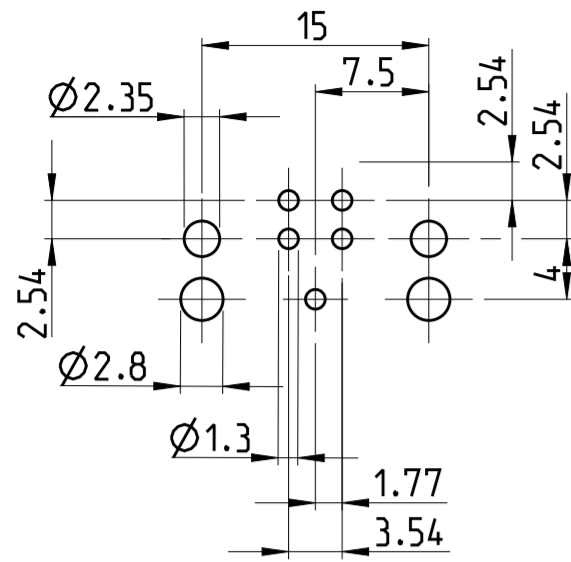


THIS DRAWING IS UNPUBLISHED. VERTRÄULICHE UNVERÖFFENTLICHTE ZEICHNUNG. RELEASED FOR PUBLICATION FREI FÜR VERÖFFENTLICHUNG. 2014. MATED WITH: PASSEND ZU: (C) COPYRIGHT 2014 Tyco Electronics AMP GmbH. ALL RIGHTS RESERVED. ALLE RECHTE VORBEHALTEN.

PROJEKT NR.: PRJ-11-000004377

REVISIONS		DATE	DWN	APVD
ÄNDERUNGEN				
P	LTR	DESCRIPTION		
BESCHREIBUNG				
A		NEW RELEASE	04DEC2014	TJ PS
A2		ECR-20-015778	06NOV2020	BP CW

CONDUCTOR LAYOUT

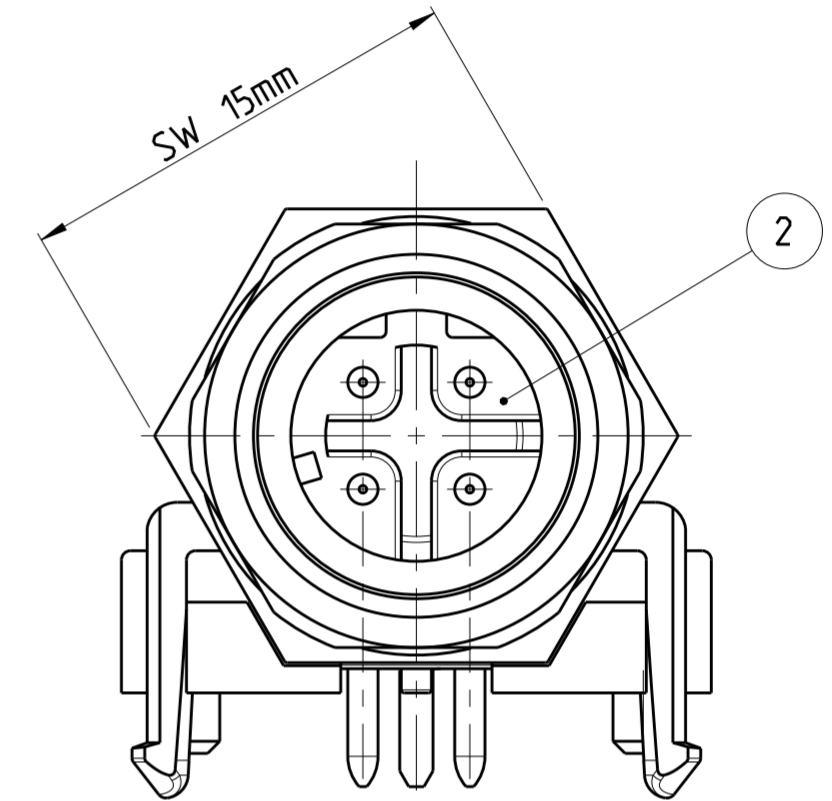
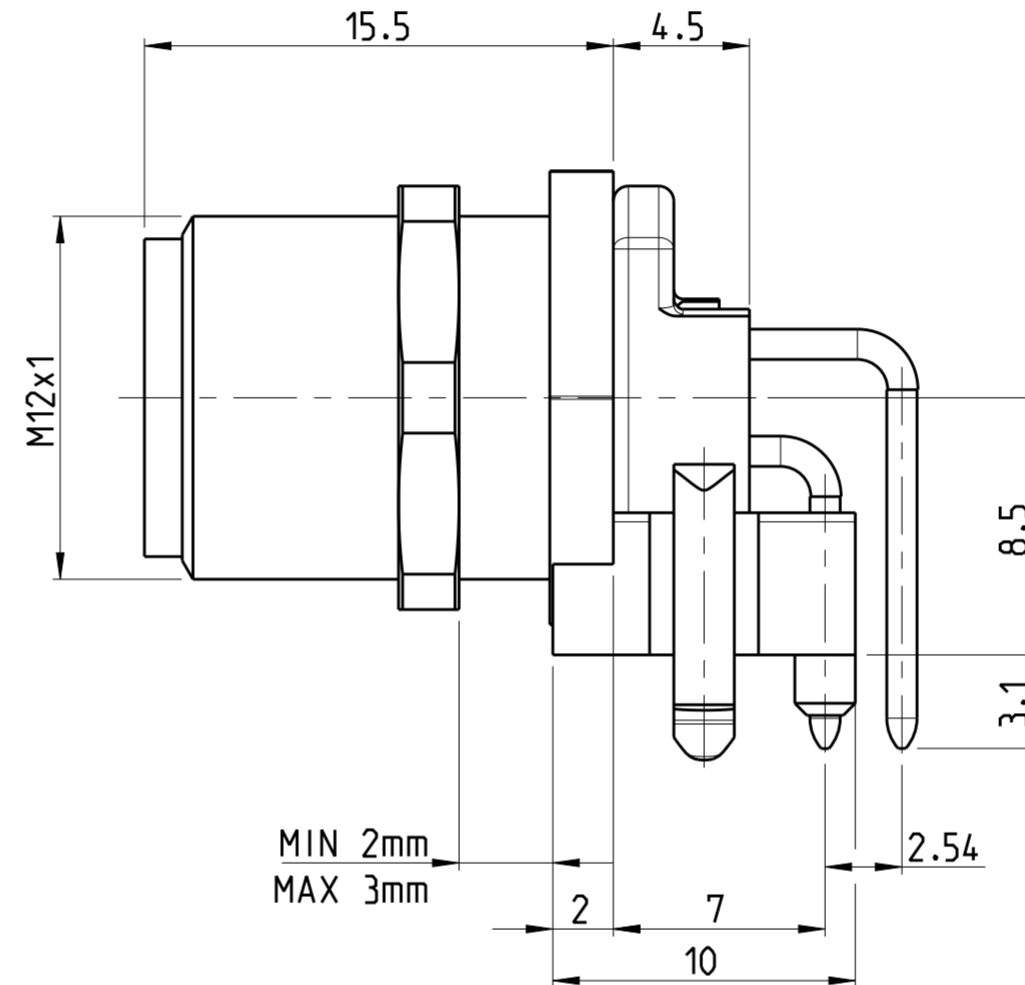
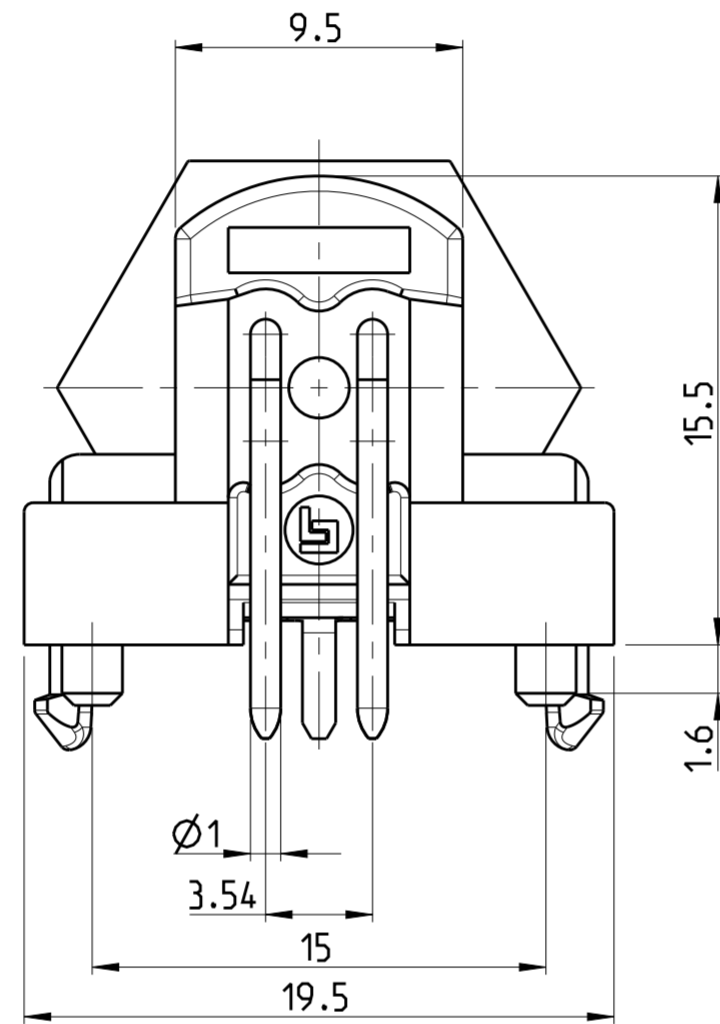


NOTES

- 1 MATERIAL: ITEM NO. 1: HOUSING - CuZn (BRASS, NICKEL PLATED)
 ITEM NO. 2: CONTACT BODY - PA (GREEN)
 ITEM NO. 3: CONTACT - CuZn (BRASS)
 CONTACT FINISH - Sn (TIN)

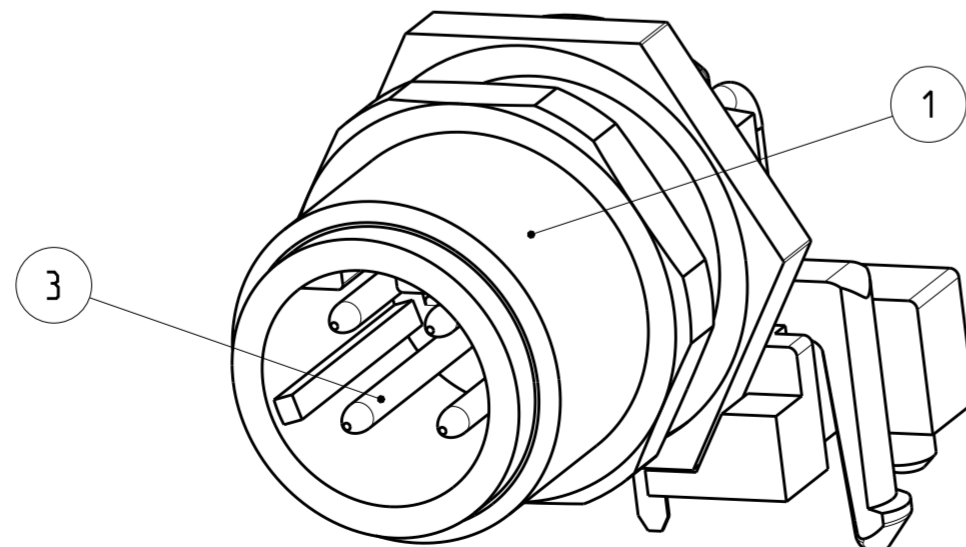
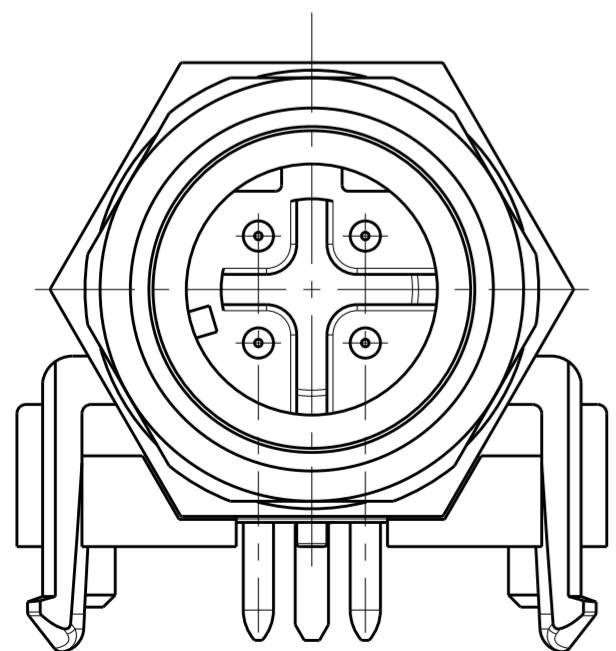
2 ALL DIMENSIONS ARE FOR NOMINAL REFERENCE ONLY UNLESS OTHERWISE STATED

TECHNICAL DATA	3-2172065-2
RATED VOLTAGE	125V
RATED IMPULSE VOLTAGE	2500V
POLLUTION DEGREE	3
OVERVOLTAGE CATEGORY	II
MATERIAL GROUP	II
RATED CURRENT	4A
VOLUME RESISTIVITY	≤ 8mΩ
DEGREE OF PROTECTION	IP67
UPPER TEMPERATURE	+85 °C
LOWER TEMPERATURE	+40 °C



PIN ARRANGEMENT D-CODING

3-2172065-2



SIZE ISO 14405 (E)

DIESE ZEICHNUNG IST EIN KONTROLLIERTES DOKUMENT. BEMASSUNGEN UND TOLERANZEN GEMAESS GPS (ISO STANDARDS).		DWN YASHKUMAR 25 JUL 2014
THIS DRAWING IS A CONTROLLED DOCUMENT. DIMENSIONING AND TOLERANCING PER GPS (ISO STANDARDS).		CHK M. BRUBAKER 25 JUL 2014
DIMENSIONS: MASSEINHEITEN: (MM)	TOLERANCES UNLESS OTHERWISE SPECIFIED: ALLGEMEINTOLERANZEN	APVD M. BRUBAKER 25 JUL 2014
0 PLC ±	1 PLC ±	PRODUCT SPEC 108-19483
2 PLC ±	3 PLC ±	APPLICATION SPEC 114-32127
4 PLC ±	ANGLES/WINKEL ±	WEIGHT GEWICHT -
MATERIAL	FINISH/OBERFLÄCHE/FARBE	Customer Drawing
SEE NOTES	SEE NOTES	

4	3-2172065-2
MATERIAL	TE-PART-NO.

STE TE Connectivity

M12 RECEPTACLE, MALE, PCB MOUNT, ANGLED, SHIELDED, D-CODED

SIZE A2	CAGE CODE 00779	DRAWING NO. ZEICHNUNGS-NR. C-2172065	RESTRICTED TO NUR FÜR -
SCALE MASSSTAB 4:1	SHEET BLATT 1	OF VON 1	REV A2