

THIS DRAWING IS UNPUBLISHED.
VERTRÄULICHE UNVERÖFFENTLICHTE ZEICHNUNG
© COPYRIGHT 2014 Tyco Electronics AMP GmbH

RELEASED FOR PUBLICATION
FREI FUER VERÖFFENTLICHUNG
2014
ALL RIGHTS RESERVED.
ALLE RECHTE VORBEHALTEN.

MATED WITH:
PASSEND ZU:

DIESE ZEICHNUNG IST EIN KONTROLLIERTES DOKUMENT.
BEMASSUNGEN UND TOLERANZEN GEMAESS GPS (ISO STANDARDS).

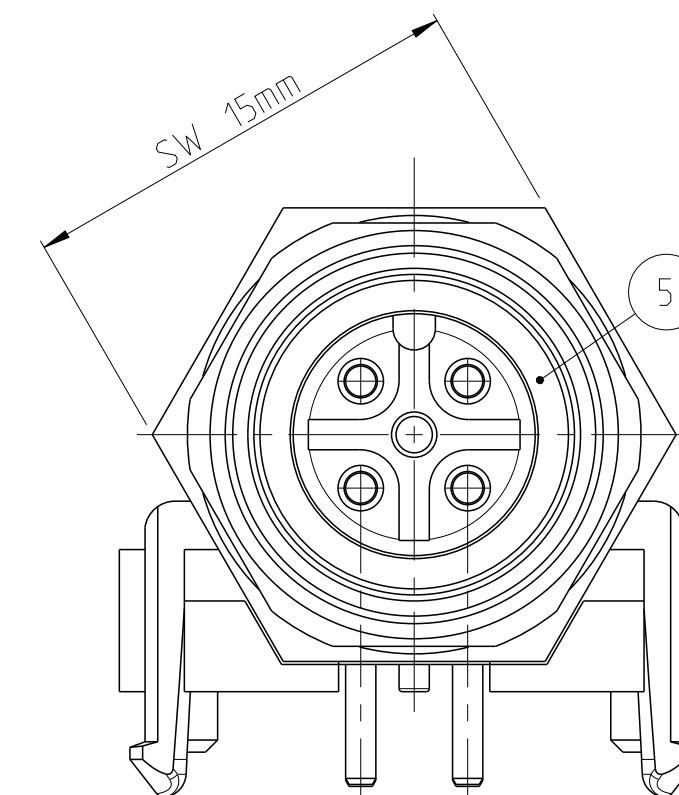
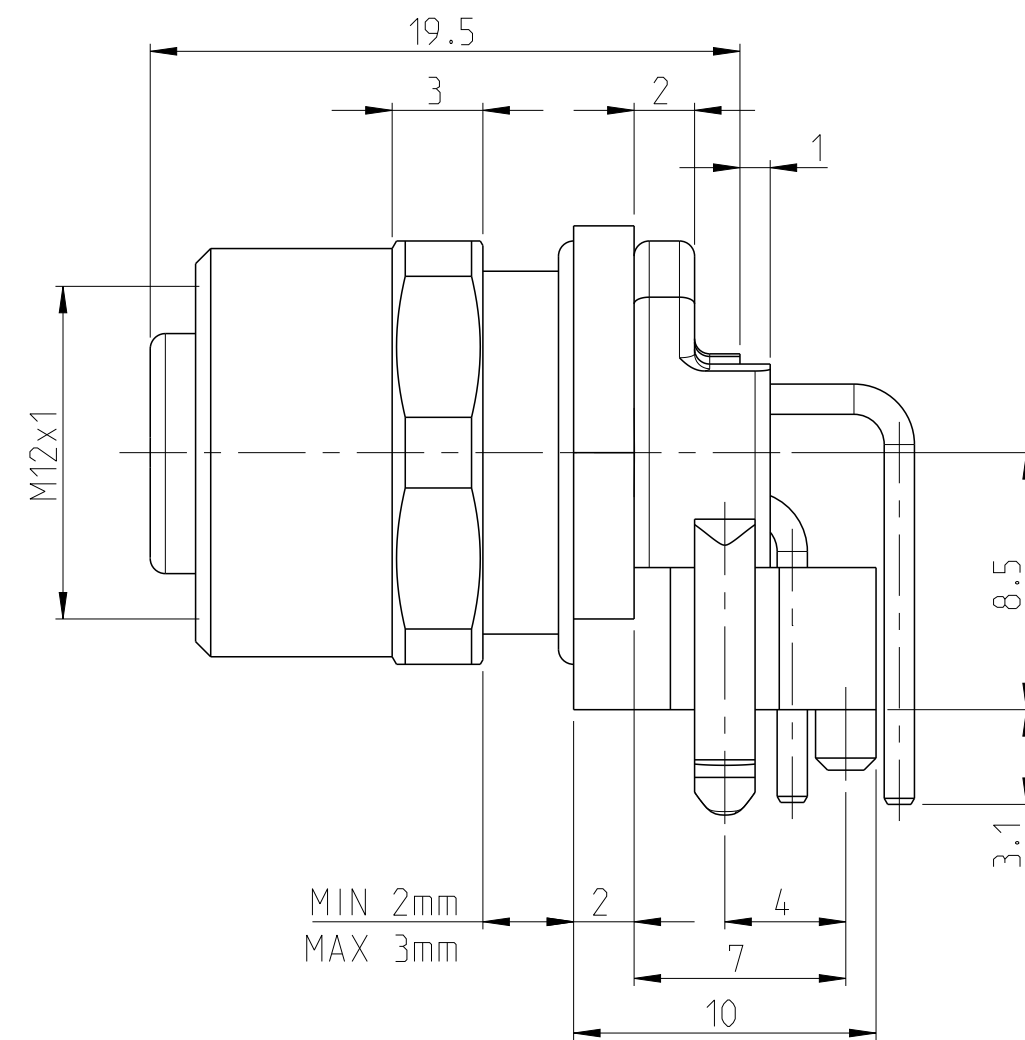
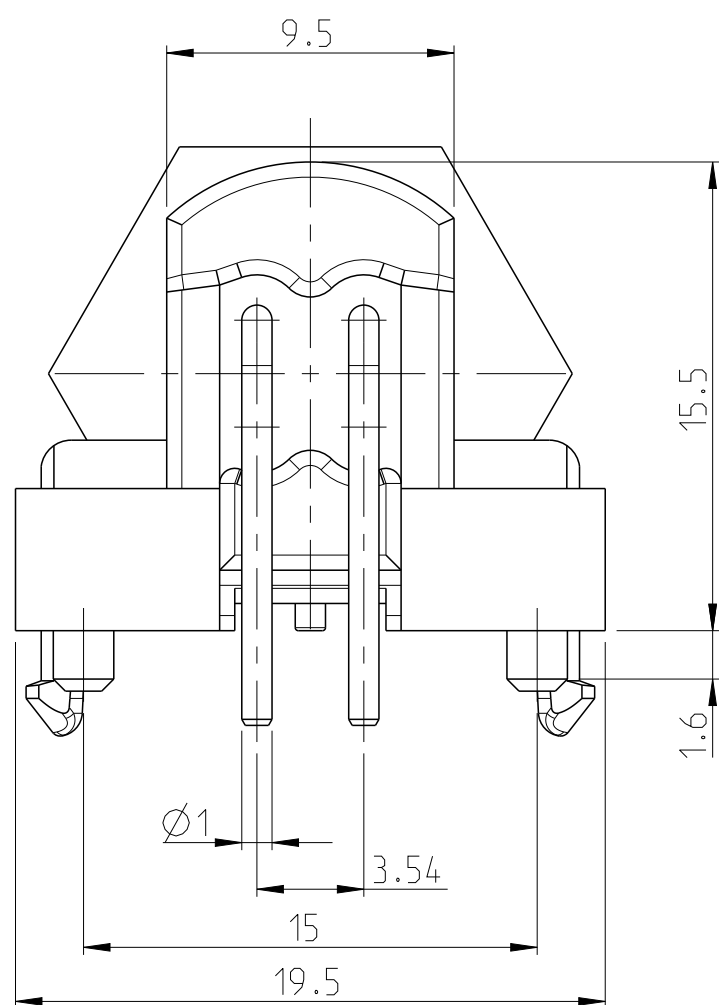
PROJEKT NR.:
PRJ-11-000004377

P	LTR	REVISIONS ÄNDERUNGEN DESCRIPTION BESCHREIBUNG	DATE	DWN	APVD
	A	NEW RELEASE	27NOV2014	CR	JK
	A1	NUT SHELL AND 5P HOUSING PN INTRODUCED	23SEP2015	TJ	NG
	A2	SEAL QTY, MATERIAL DETAILS ADDED IN NOTES	10JAN2018	TJ	NG

- 1 MATERIAL:
- ITEM NO. 1: NUT SHELL - CuZn (BRASS, NICKEL PLATED)
 - ITEM NO. 2: HOUSING - PA
 - ITEM NO. 3: CONTACT - CuZn (BRASS)
 - ITEM NO. 4: SEAL LARGE - NBR (QTY-1)
 - ITEM NO. 5: SEAL SMALL - FPM (QTY-1)
 - CONTACT FINISH - Au (GOLD)

2 ALL DIMENSIONS ARE FOR NOMINAL REFERENCE ONLY UNLESS OTHERWISE STATED

TECHNICAL DATA	3-2172079-2	4-2172079-2	5-2172079-2
RATED VOLTAGE	250V	125V	60V
RATED IMPULSE VOLTAGE	2500V	1500V	800V
POLLUTION DEGREE	3	3	3
OVERVOLTAGE CATEGORY	II	II	II
MATERIAL GROUP	III	III	III
RATED CURRENT	4A	4A	2A
VOLUME RESISTIVITY	≤ 3mΩ	≤ 3mΩ	≤ 3mΩ
DEGREE OF PROTECTION	IP68	IP68	IP68
UPPER TEMPERATURE	+85 °C	+85 °C	+85 °C
LOWER TEMPERATURE	-40 °C	+40 °C	+40 °C

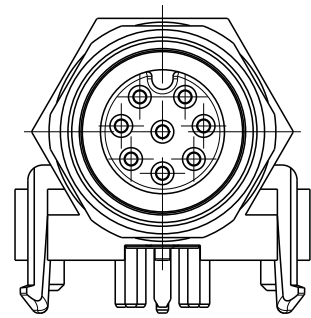
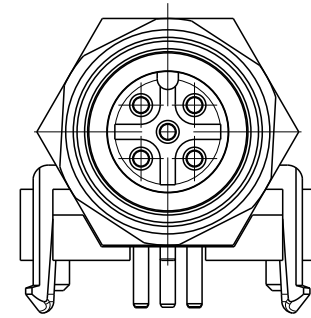
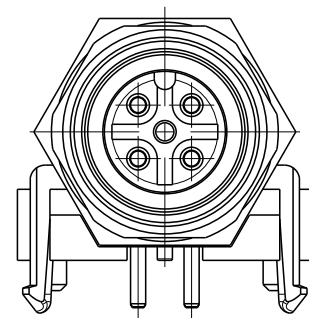


PIN ARRANGEMENT A-CODING (SCALE 2:1)

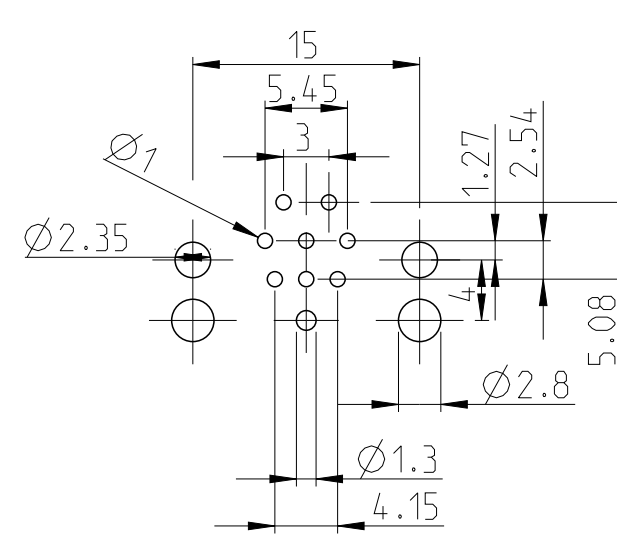
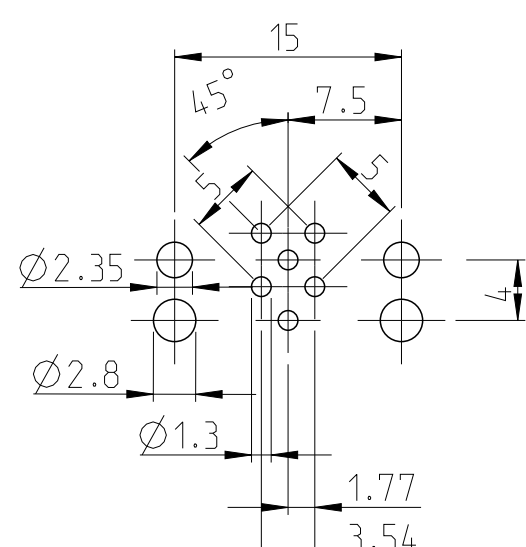
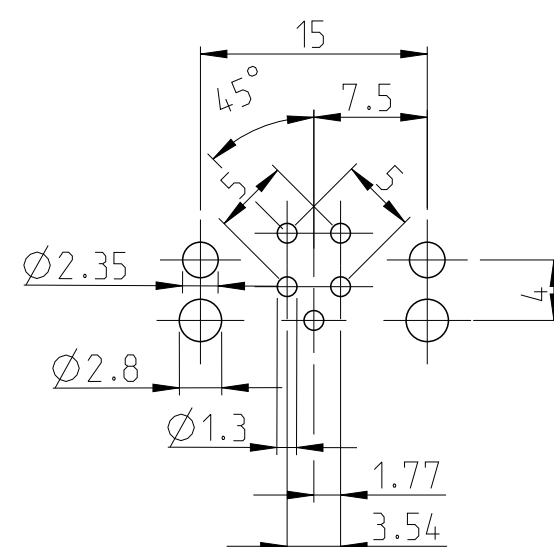
3-2172079-2

4-2172079-2

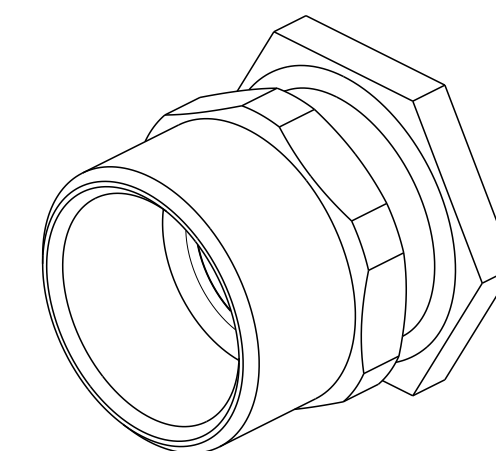
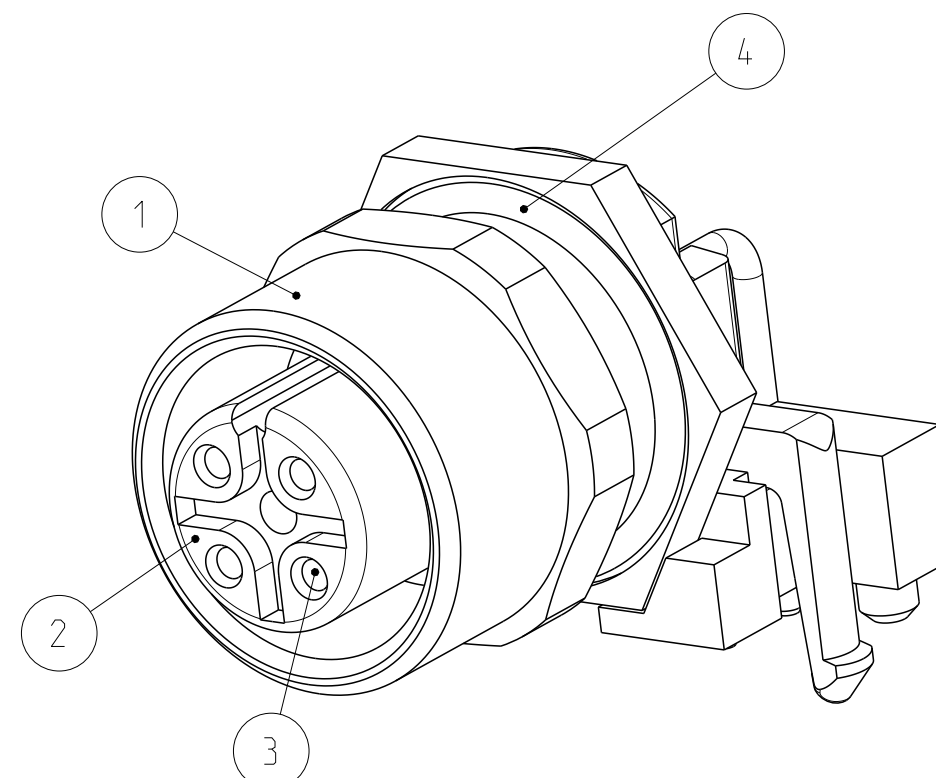
5-2172079-2



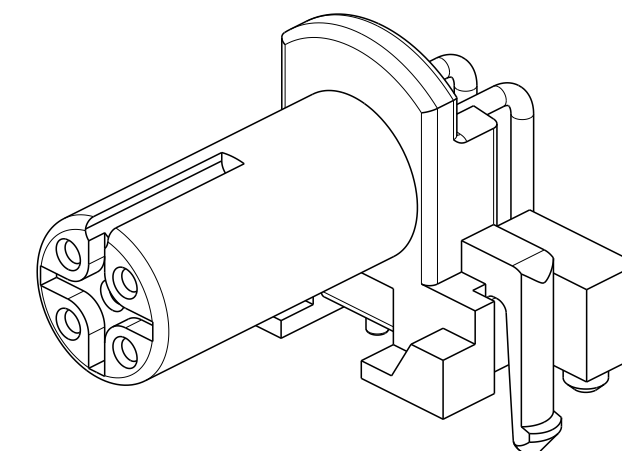
CONDUCTOR LAYOUT



ALSO SOLD SEPARATELY



NUT SHELL
PN 2172079-3



REFER TABLE FOR
HOUSING PN

⚠	8	5-2172079-2	
⚠	5	4-2172079-2	4-2172079-3
⚠	4	3-2172079-2	
MATERIAL	NUMBER OF POLES	PART NUMBER	HOUSING PN

DIMENSIONS: MASSEINHETEN: (MM)		TOLERANCES UNLESS OTHERWISE SPECIFIED: ALLGEMEINTOLERANZEN
0 PLC	±	
1 PLC	±	
2 PLC	±	
3 PLC	±	
4 PLC	±	
ANGLES/WINKEL	±	
FINISH/OBERFLÄCHE/FARBE		

DWN	YASHKUMAR	09AUG2014	
CHK	M. BRUBAKER	09AUG2014	
APVD	M. BRUBAKER	09AUG2014	
PRODUCT SPEC	108-19483		
APPLICATION SPEC	114-32127		
WEIGHT	-		
Customer Drawing	/KUNDENZEICHNUNG	SCALE MASSSTAB 3:1	SHEET BLATT 1 OF 1



M12 RECEPTACLE, FEMALE, PCB MOUNT,
PANEL MOUNT, ANGLED, SHIELDED,
WITH STANDOFF, A-CODED

SIZE ISO 14405 (E)