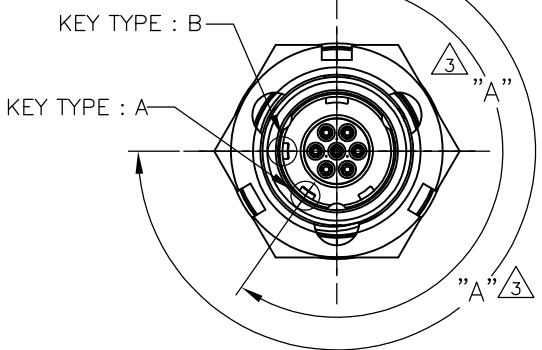


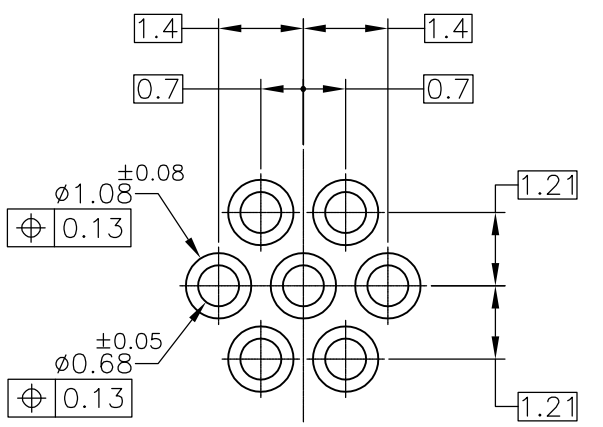
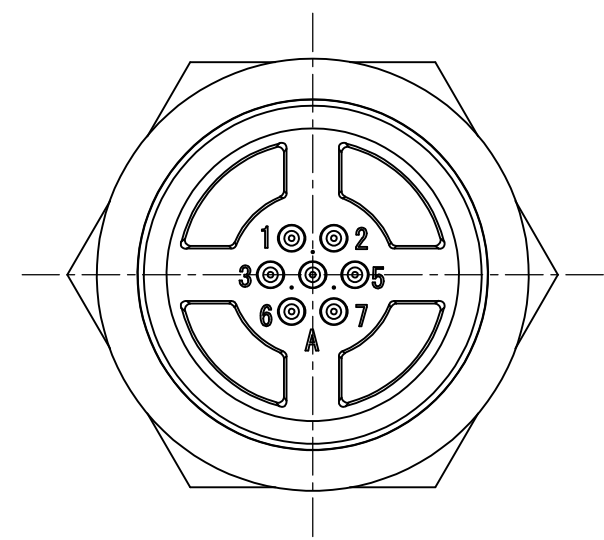
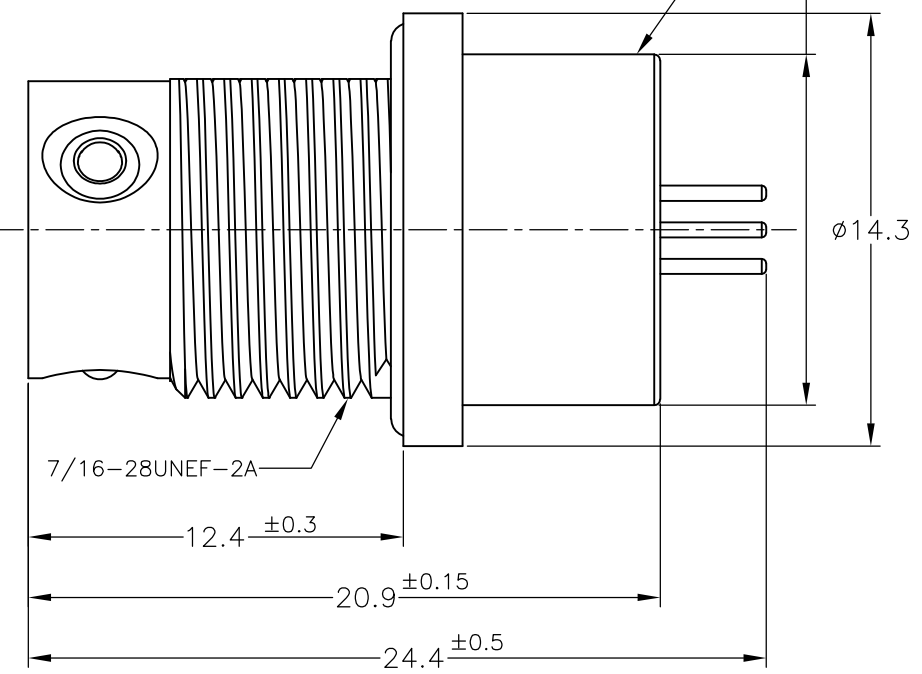
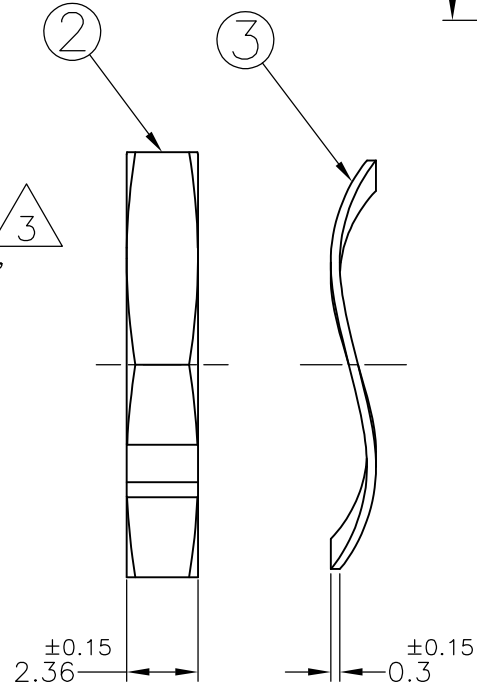
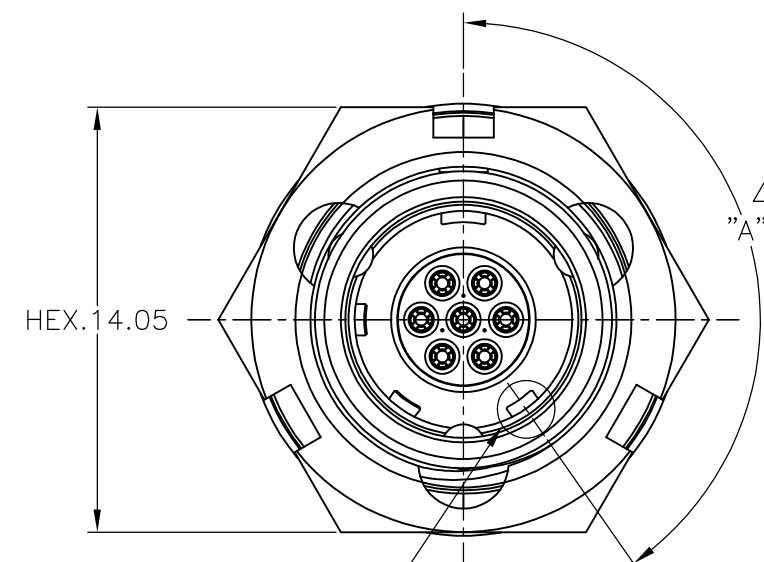
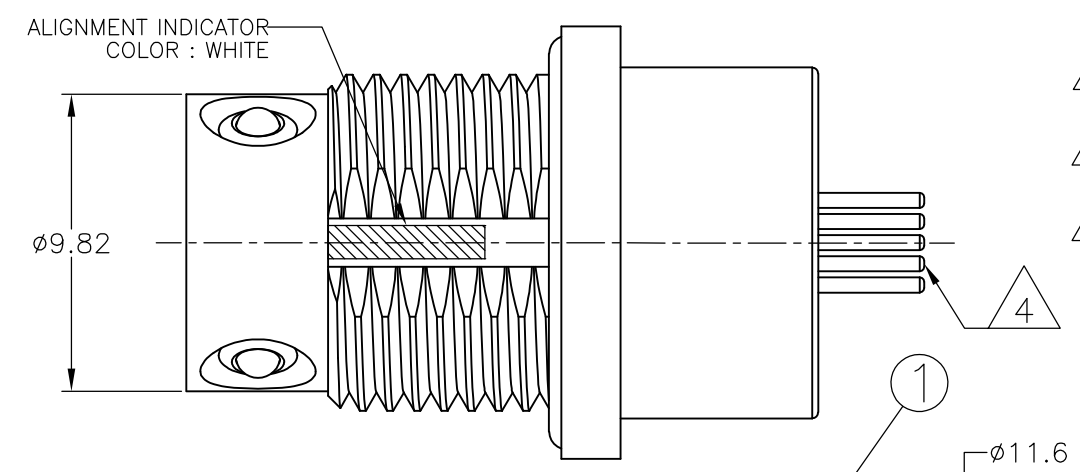
THIS DRAWING IS UNPUBLISHED. RELEASED FOR PUBLICATION FEB. 2012. LOC DIST REVISIONS  
 © COPYRIGHT 2012 By Tyco Electronics Japan G.K. ALL RIGHTS RESERVED. P LTR DESCRIPTION DATE DWN APVD  
 A4 REVISED 24JUL2015 T.K C.O

本図: 2174207-1  
 AS SHOWN: 2174207-1

- ① MATERIAL: BRASS  
 FINISH: BLACK Sn-Ni, OVER Ni (9 ~ 10um)
- ② MATERIAL: BRASS  
 FINISH: Ni PLATING (3 ~ 6um)
- ③ KEY OPTION: TYPE N IS NORMAL POSITION.  
 OPTION KEY IS TYPE A(-2) AND TYPE B(-3).



KEY POSITION OPTION SCALE 2:1

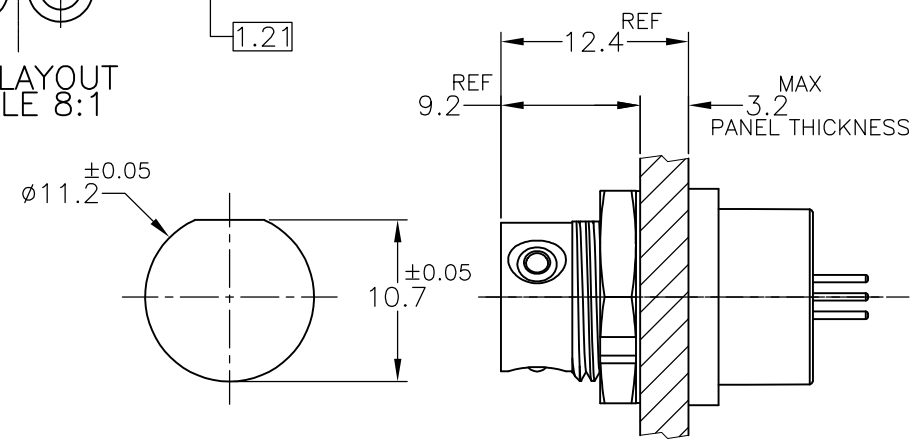


PCB LAYOUT SCALE 8:1

KEY POSITION

270°	TYPE B	2174207-3
215°	TYPE A	2174207-2
145°	TYPE N	2174207-1
DIM "A"	KEY TYPE	PART NUMBER

-3	-2	-1	PART NUMBER	ITEM
1	1	1	HEX. NUT	③
1	1	1	WAVE SPRING WASHER	②
1			CONNECTOR ASSEMBLY KEY-B	①
	1		CONNECTOR ASSEMBLY KEY-A	
		1	CONNECTOR ASSEMBLY KEY-N	
QTY			DESCRIPTION	ITEM



PANEL MOUNT REFERENCE DIMENSION SCALE 2:1

THIS DRAWING IS A CONTROLLED DOCUMENT.

DIMENSIONS:	TOLERANCES UNLESS OTHERWISE SPECIFIED:
mm	±0.1
	0-PLC ±
	1-PLC ±
	2-PLC ±
	3-PLC ±
	4-PLC ±
	ANGLES ±5°
MATERIAL	FINISH
	-

DWN	T.SUGIYAMA	19FEB2012
CHK	T.TONOBE	07MAY2012
APVD	T.SUGIYAMA	07MAY2012
PRODUCT SPEC	108-78938	
APPLICATION SPEC	114-5503	
WEIGHT	10.782g	
CUSTOMER DRAWING		

**STE** TE Connectivity

NMSMC 7P PUSH-PULL RECE  
 PROBE / SOLDER TAIL  
 CONNECTOR KIT

SIZE	CAGE CODE	DRAWING NO	RESTRICTED TO
A3	00779	C-2174207	-

SCALE 4:1 SHEET 1 OF 1 REV A4