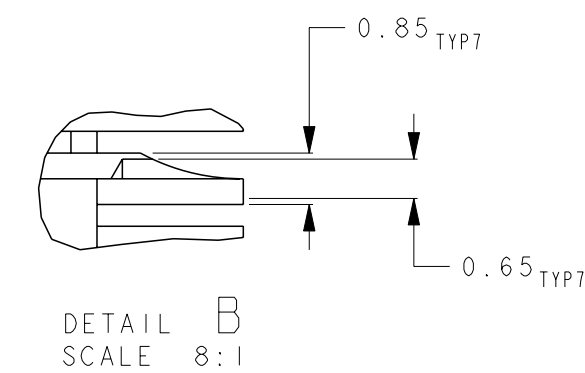
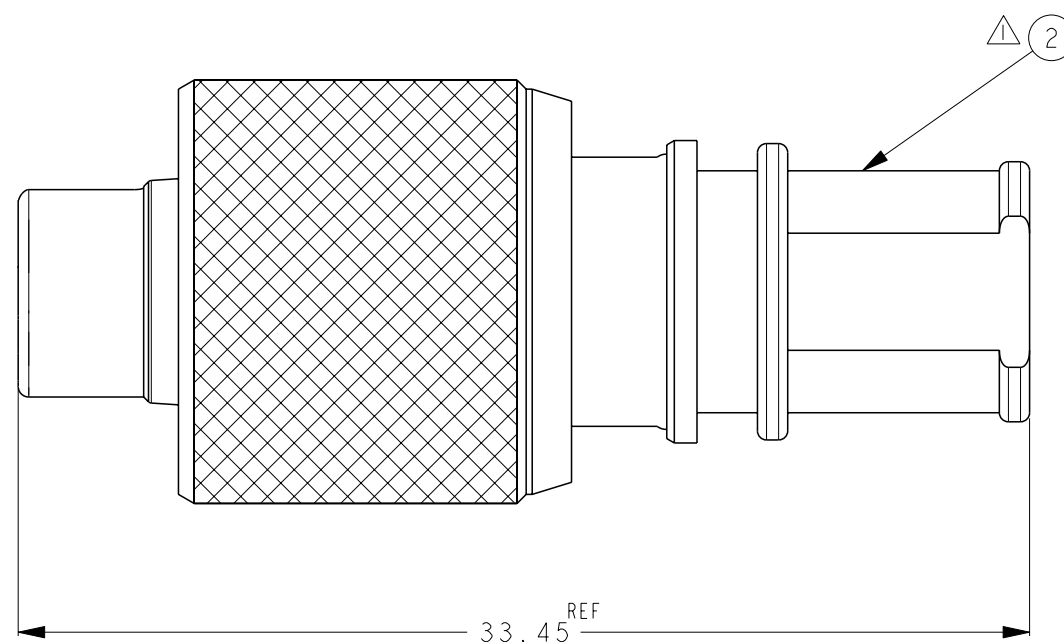
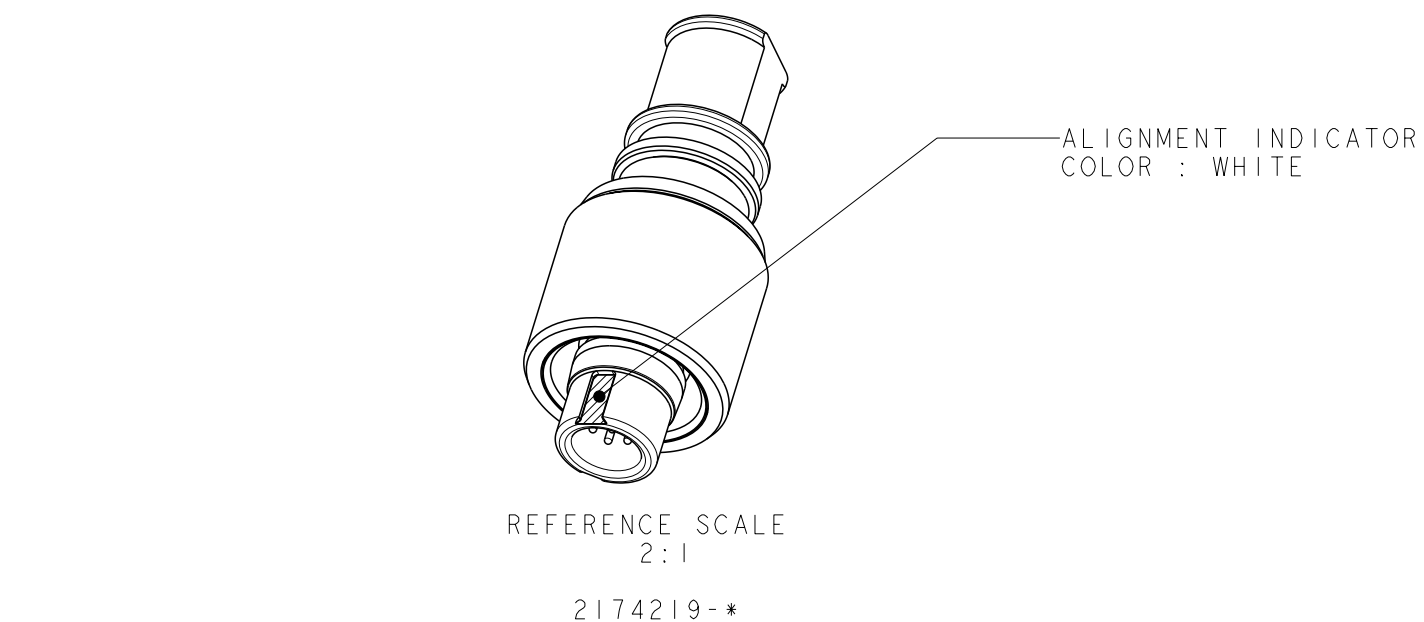
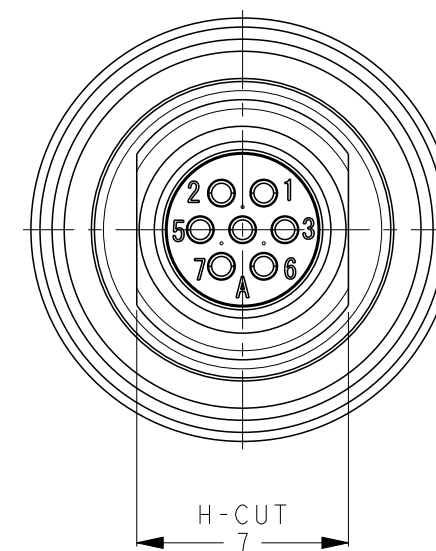
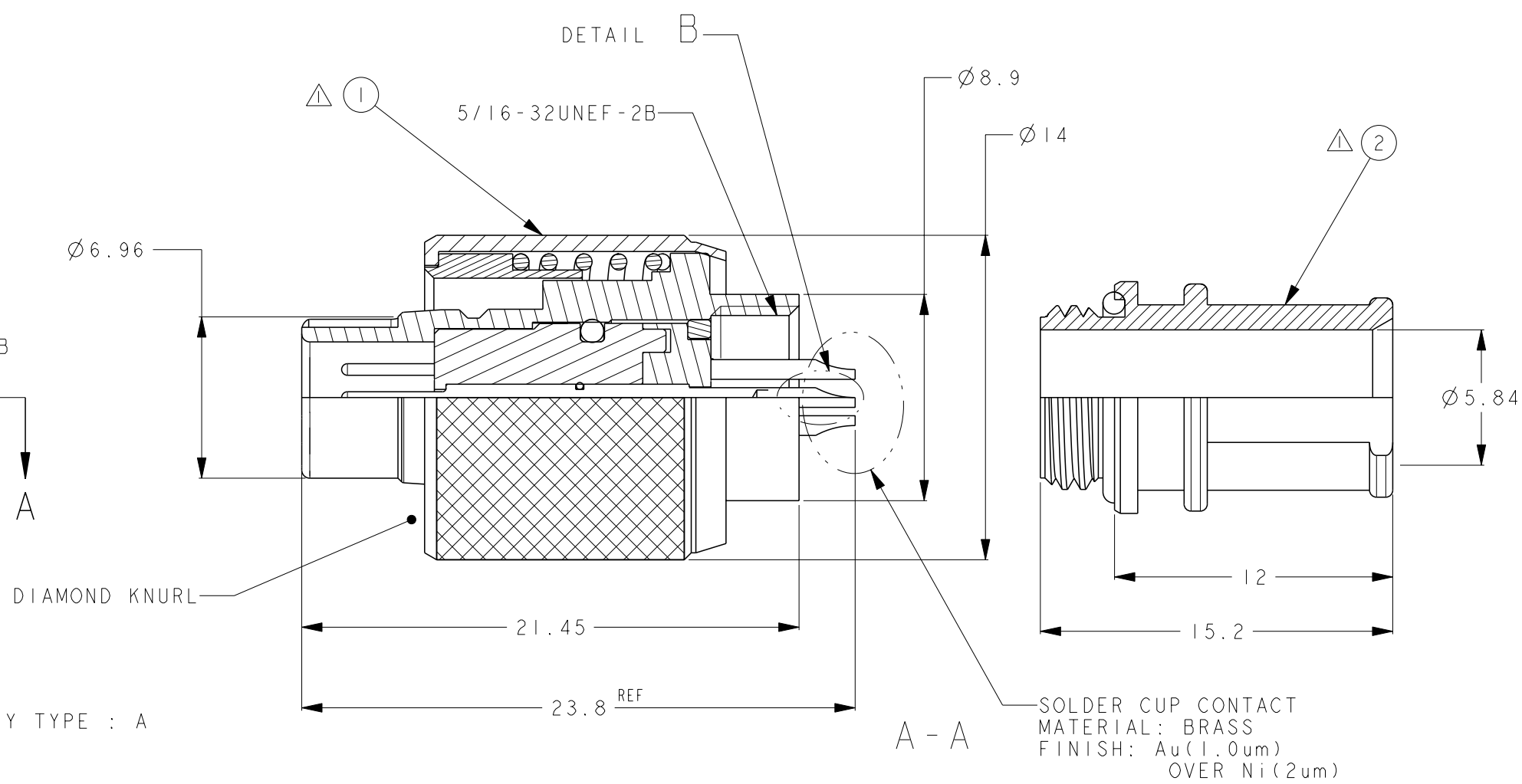
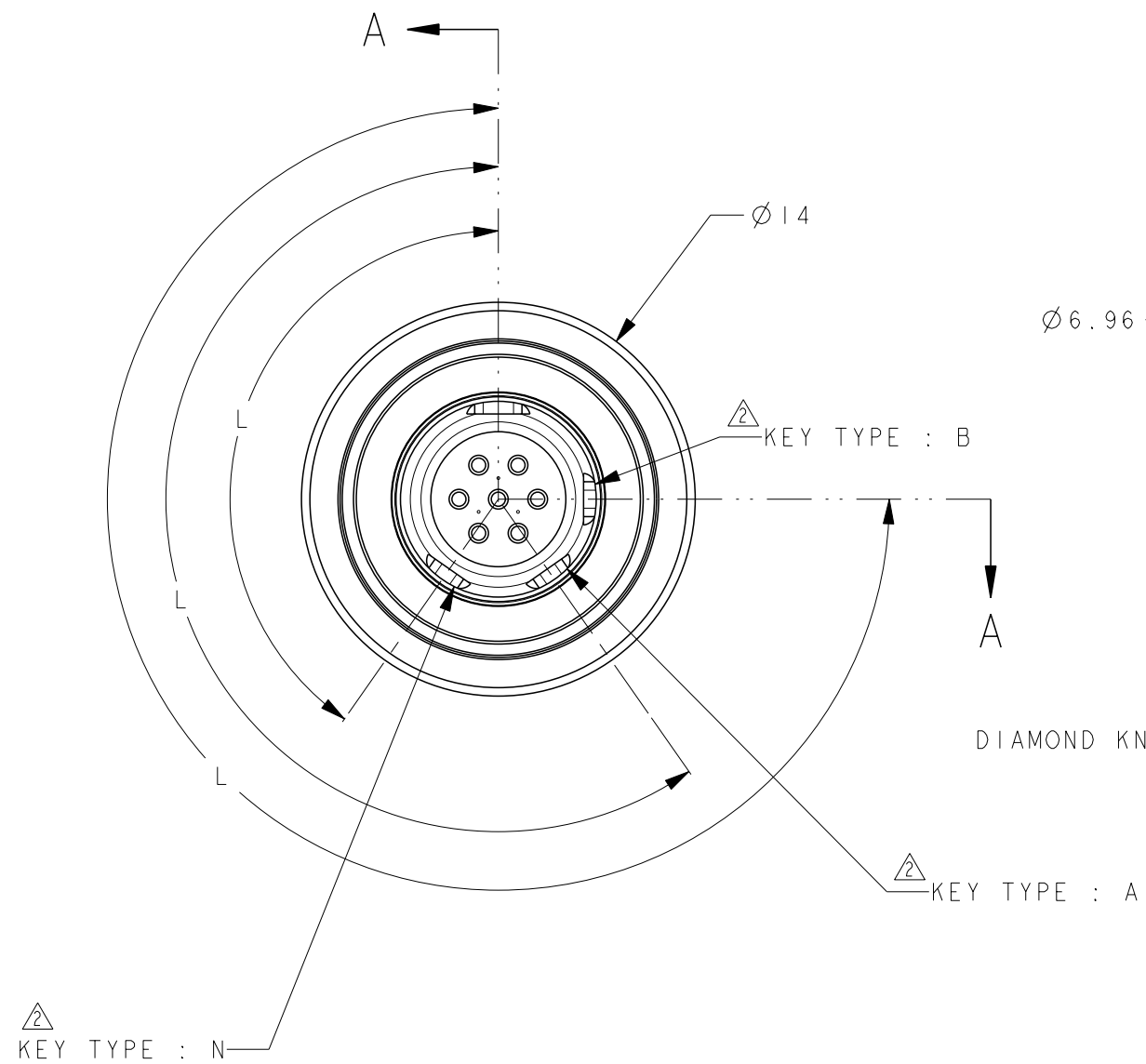


AS SHOWN 2174219-*

LOC		DIST		REVISIONS			
P	LTR	DESCRIPTION	DATE	DWN	APVD		
	B	REVISED	05SEP2013	H.S	C.O		
	C	REVISED	10FEB2014	H.S	C.O		



- △ MATERIAL: BRASS
- FINISH : BLACK Su-Ni OVER Ni(9 ~ 10um)
- △ KEY POSITION : TYPE N IS NORMAL POSITION.
- OPTION KEY IS TYPE A(-2) AND TYPE B(-3).

NET WEIGHT [g]	DIM L	DESCRIPTION	PART NO
13.623	270°	TYPE B	2174219-3
13.623	215°	TYPE A	2174219-2
13.623	145°	TYPE N	2174219-1

REV	QTY	DESCRIPTION	ITEM NO.	
1	1	2201639-1	7P PLUG ADAPTOR WITH O-RING	2
1	-	2201619-3	7P PUSH-PULL PLUG PIN SOCKET /SOLDER CUP CONT ASSY TYPE B	1
-	1	2201619-2	7P PUSH-PULL PLUG PIN SOCKET /SOLDER CUP CONT ASSY TYPE A	1
-	-	2201619-1	7P PUSH-PULL PLUG PIN SOCKET /SOLDER CUP CONT ASSY TYPE N	1
-3	-2	-1	PART NO.	

REVISION OF EACH ASSY NO. (WHEN BLANK, USE DRAWING REVISION)

PART LIST

THIS DRAWING IS A CONTROLLED DOCUMENT.

DIMENSIONS: mm

TOLERANCES UNLESS OTHERWISE SPECIFIED: ±0.1

0-PLC ±

1-PLC ±

2-PLC ±

3-PLC ±

4-PLC ±

ANGLES ±1°

FINISH

MATERIAL

DWN: T. SUGIYAMA 13 JAN 2012

CHK: T. TONOBE 30 MAR 2012

APVD: T. SUGIYAMA

PRODUCT SPEC: 108-78938

APPLICATION SPEC: 114-5503

WEIGHT: -

Customer Drawing

NAME: NMSMC 7P PUSH-PULL PLUG PIN SOCKET / SOLDER CUP CONNECTOR / KIT

SIZE: A200779

CAGE CODE: C-2174219

DRAWING NO: -

RESTRICTED TO: -

SCALE: 4:1

SHEET: 1 OF 1

REV: C