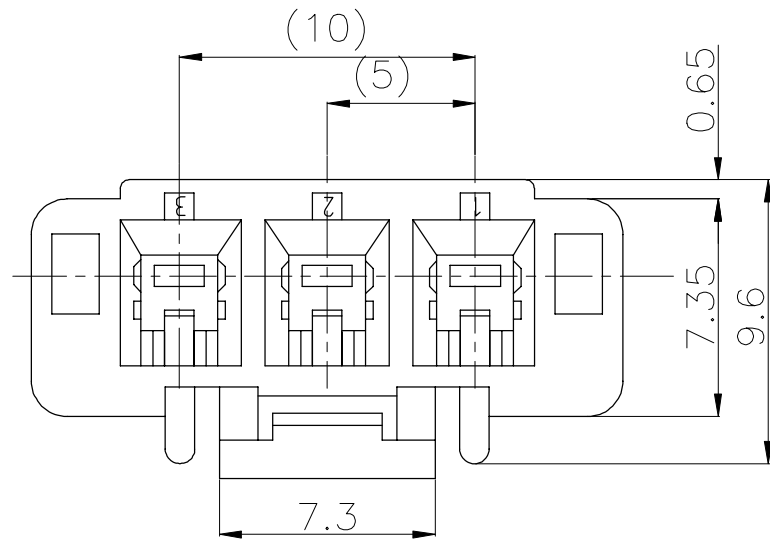
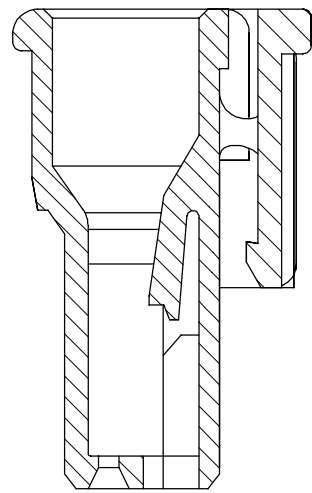
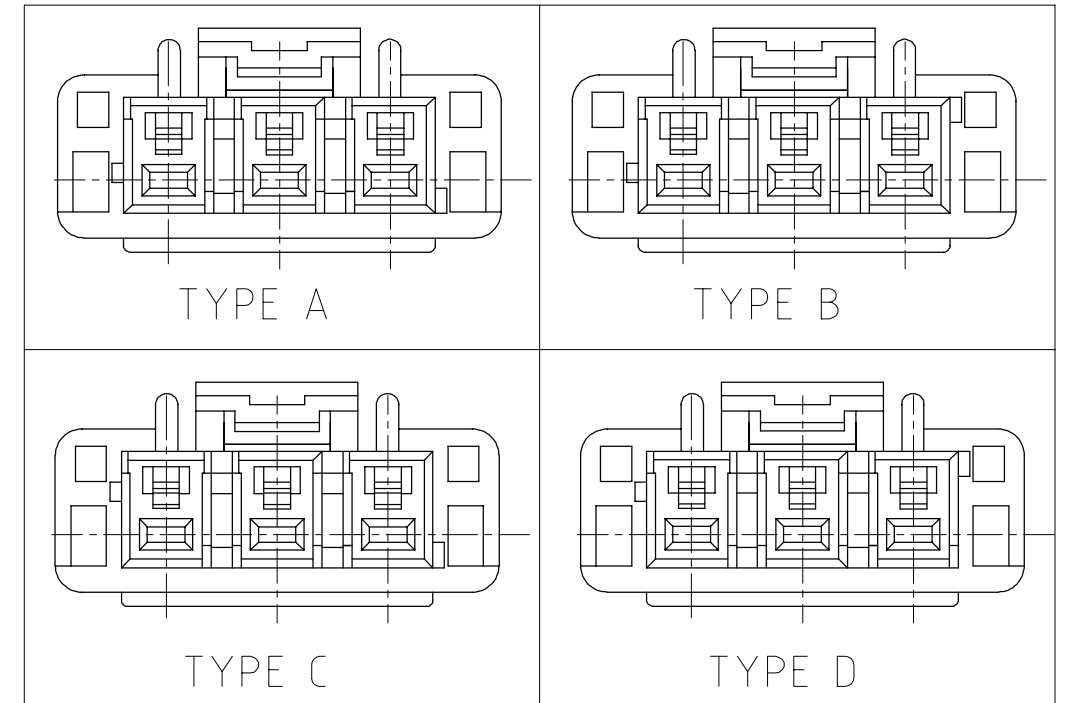


P	LTR	DESCRIPTION	DATE	DWN	APVD
A2		REVISED PER ECR-23-179294	23JUN2023	KS	DZ

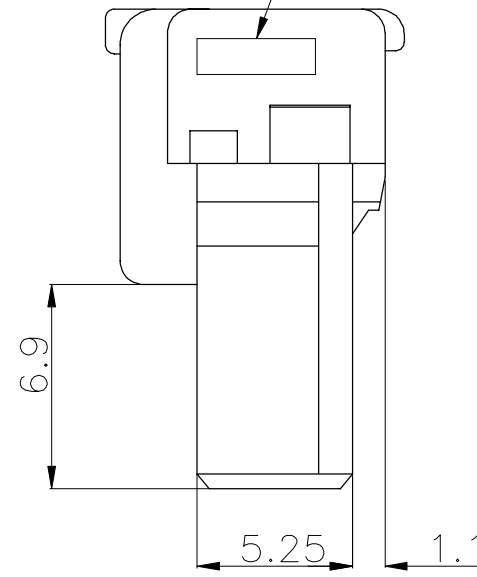
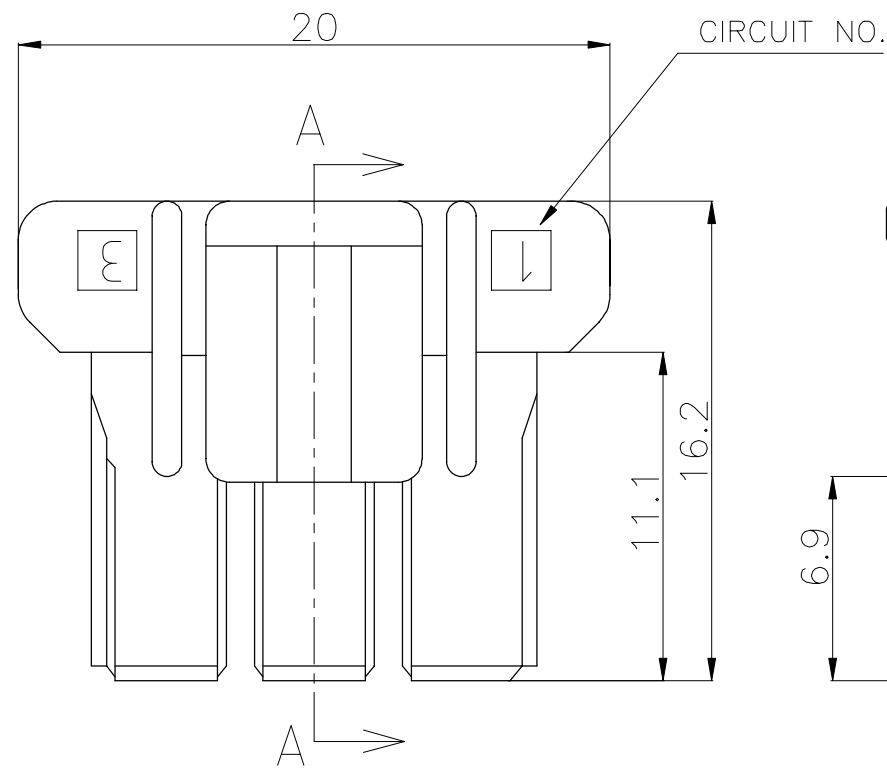


1 MATING CONN. P/N
 HEADER ASS'Y :SEE TABLE
 2 APPLICABLE CONTACT
 REC CONTACT ;1376347-1,1376348-1
 2446270-1 (PRELIMINARY)

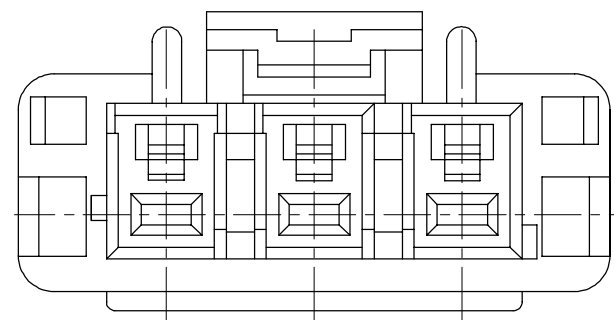
TYPE OF KEYING



A-A



3-2174298-4	TYPE D	YELLOW	3Pos	3-2174299-4
2-2174298-3	TYPE C	BLUE	3Pos	2-2174299-3
1-2174298-2	TYPE B	RED	3Pos	1-2174299-2
2174298-1	TYPE A	NATURAL	3Pos	2174299-1
MATING CONN. P/N	TYPE OF KEYING	COLOR	Pos	PART NO.



THIS DRAWING IS A CONTROLLED DOCUMENT.

DIMENSIONS: 単位: 耗 mm	TOLERANCES UNLESS OTHERWISE SPECIFIED: 一般公差 ±0.3	DWN Y.OKADA 22MAR2011	TE Connectivity 5.0 POWER KEY CONNECTOR 3P PLUG HOUSING WITHOUT G.F.
	0-PLC ± 1-PLC ± 2-PLC ± 3-PLC ± 4-PLC ± ANGLES ±1°	CHK N.YAMASAKI 22MAR2011 APVD N.YAMASAKI 22MAR2011 PRODUCT SPEC 製品規格 108-78863 APPLICATION SPEC 取付適用規格 114-5292	
MATERIAL 材料 POLYAMIDE WITHOUT G.F.	FINISH 仕上	NAME 名称 5.0 POWER KEY CONNECTOR 3P PLUG HOUSING WITHOUT G.F.	RESTRICTED TO —
CUSTOMER DRAWING		WEIGHT 1.0g	SIZE A3 CAGE CODE 00779 DRAWING NO 番号 C=2174299
		SCALE 尺度 4:1	SHEET 1 OF 1 REV A2