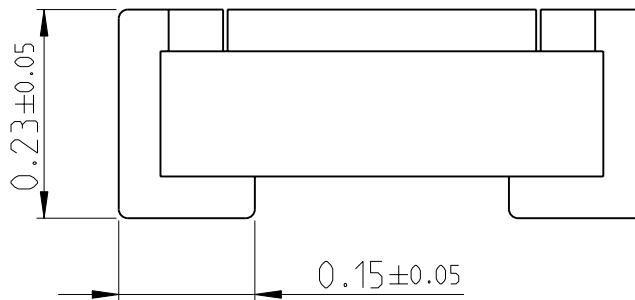
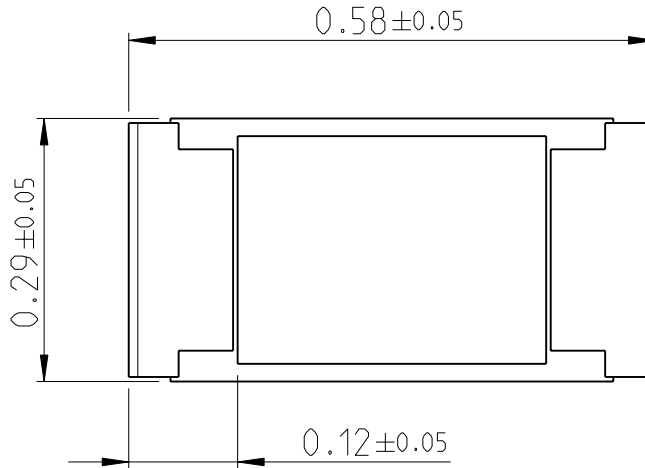
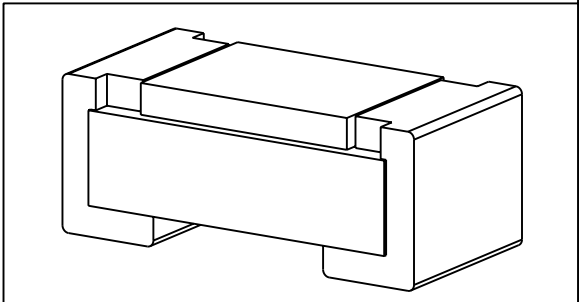


| LOC | DIST | REVISIONS   |             |           |      |      |
|-----|------|-------------|-------------|-----------|------|------|
| P   | LTR  | DESCRIPTION | DATE        | DWN       | APVD |      |
| -   | -    | BA          | NEW DRAWING | 24APR2012 | KR   | St.P |



FOR FURTHER INFORMATION SEE DATA SHEET FOR  
PRECISION THIN FILM PRECISION RESISTORS- CPF SERIES

RoHS Compliant



20

RELEASED FOR PUBLICATION

ALL RIGHTS RESERVED.

THIS DRAWING IS UNPUBLISHED.

BY -

© COPYRIGHT 20

|   |                   |              |  |           |            |               |
|---|-------------------|--------------|--|-----------|------------|---------------|
| DIMENSIONS:<br>mm   | DWN RAGHAVENDRA K | 24APR2012    | MATERIAL   | -         | FINISH     | -             |
|   | CHK ALLAN P       | 24APR2012    |  TE Connectivity |           |            |               |
| TOLERANCES UNLESS OTHERWISE SPECIFIED:  | APVD STEPHEN.P    | 24APR2012    |  |           |            |               |
|   | 0 PLC ±           | PRODUCT SPEC | SIZE   | CAGE CODE | DRAWING NO | RESTRICTED TO |
| 1 PLC ±0.5  | -                 | -            | A 4  | 00779     | C-2176073  | -             |
| 2 PLC ±0.13   | APPLICATION SPEC  | -            | CUSTOMER DRAWING   |           |            | SCALE         |
| 3 PLC ±0.013  | -                 | WEIGHT       | 0.00014 Gram   |           |            | 40:1          |
| 4 PLC ±0.0001   | -                 | SHEET        |  |           | 1          | OF            |
| ANGLES ±  | SHEET             |              |  | 1         | OF         | 1             |
|   |                   |              | REV  |           |            | BA            |