

4

3

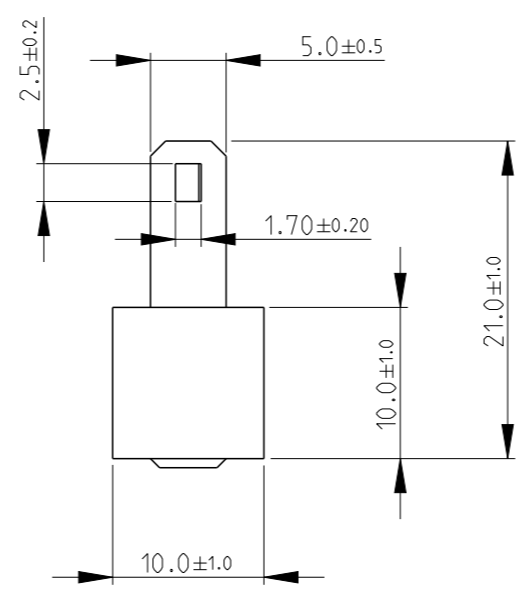
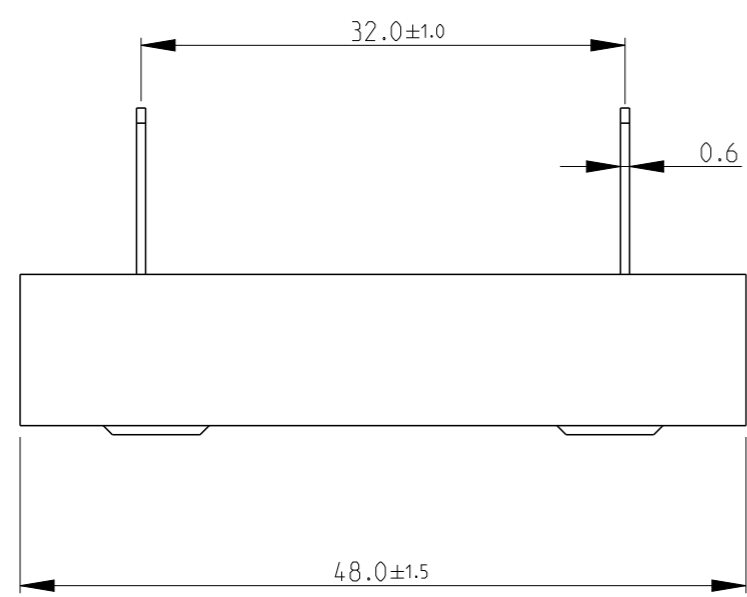
2

1

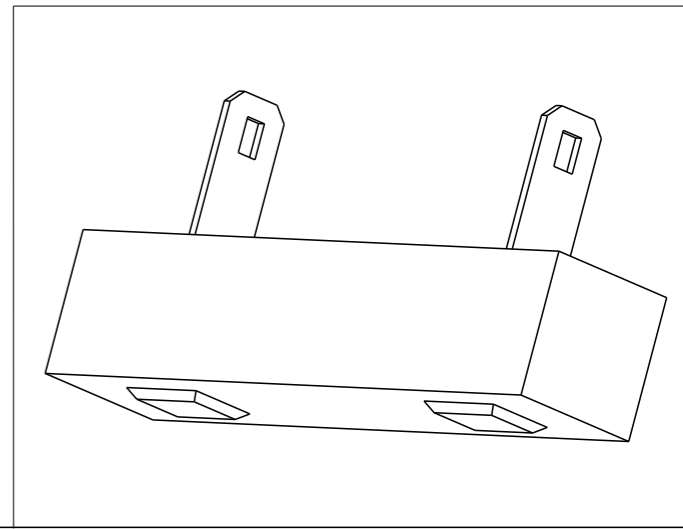
THIS DRAWING IS UNPUBLISHED. RELEASED FOR PUBLICATION 2009  
 © COPYRIGHT 2009 BY - ALL RIGHTS RESERVED.


LOC	DIST	REVISIONS			
P	LTR	DESCRIPTION	DATE	DWN	APVD
E	B	BA	NEW RELEASE	06NOV2012	KR TN

1. FOR FURTHER INFORMATION SEE DATA SHEET FOR HIGH POWER RESISTORS OF SQ SERIES



RoHS Compliant



THIS DRAWING IS A CONTROLLED DOCUMENT.		DWN 06NOV2012 RAGHAVENDRA K	 TE Connectivity	
DIMENSIONS: mm		CHK 06NOV2012 ALLAN.P		
TOLERANCES UNLESS OTHERWISE SPECIFIED:		APVD 06NOV2012 TONY.N	NAME HIGH POWER RESISTORS SERIES SQH10	
0 PLC ±0.2		PRODUCT SPEC	-	
1 PLC ±0.1		APPLICATION SPEC	-	
2 PLC ±		WEIGHT	-	
3 PLC ±		SIZE	A3	
4 PLC ±		CAGE CODE	00779	
ANGLES ±5°		DRAWING NO	C=2176133	
FINISH -		RESTRICTED TO	-	
MATERIAL -		CUSTOMER DRAWING	SCALE 1:1	SHEET 1 OF 1
				REV BA