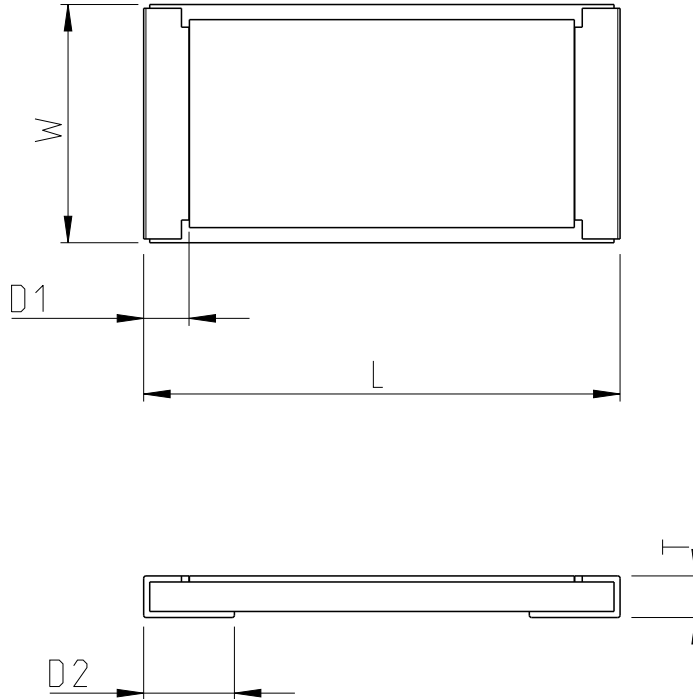


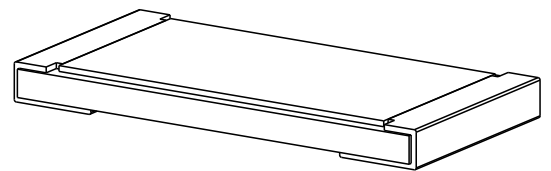
LOC	DIST	REVISIONS					
-	-	P	LTR	DESCRIPTION	DATE	DWN	APVD
		BA		NEW DRAWING	31JAN2013	KR	TN



TYPE	SIZE (Inch)	RESISTANCE RANGE (mΩ)	L	W	T	D1	D2
CSM12	2512	10 - 29	6.30±0.20	3.15±0.20	0.58±0.15	0.60±0.30	1.80±0.30
		30 - 100	6.30±0.20	3.15±0.20	0.55±0.15	0.60±0.30	1.20±0.30

RoHS Compliant

FOR FURTHER INFORMATION SEE DATA SHEET FOR CURRENT SENSING METAL CHIP RESISTOR - TYPE TLM 2512



20

RELEASED FOR PUBLICATION

ALL RIGHTS RESERVED.

BY -

© COPYRIGHT 20

THIS DRAWING IS UNPUBLISHED.

DIMENSIONS: mm	DWN RAGHAVENDRA K	31JAN2013	MATERIAL	-	FINISH	-
	TOLERANCES UNLESS OTHERWISE SPECIFIED:	CHK ALLAN P	31JAN2013			
APVD TONY N		31JAN2013				
0 PLC ± 1 PLC ± 2 PLC ± 3 PLC ± 4 PLC ± ANGLES ±	PRODUCT SPEC	-	NAME CURRENT SENSING METAL CHIP RESISTOR - TYPE			
	APPLICATION SPEC	-	SIZE	CAGE CODE	DRAWING NO	RESTRICTED TO
	WEIGHT	2.894 Gram	A 4	00779	C=2176158	-
	Customer Drawing			SCALE	10:1	SHEET
					REV	BA