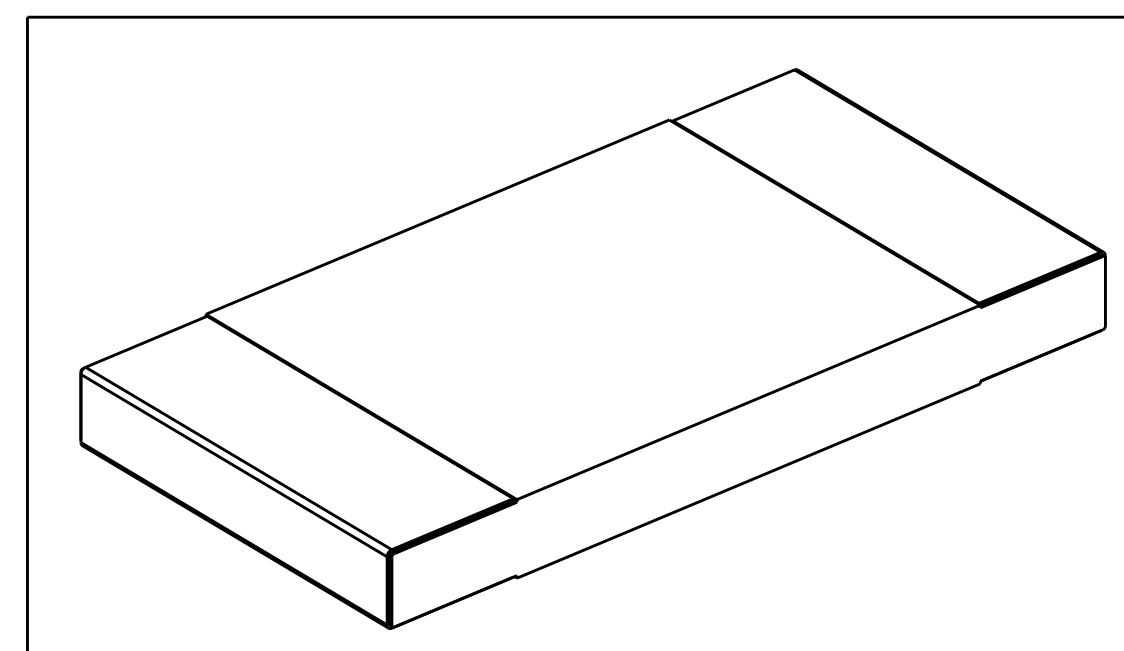
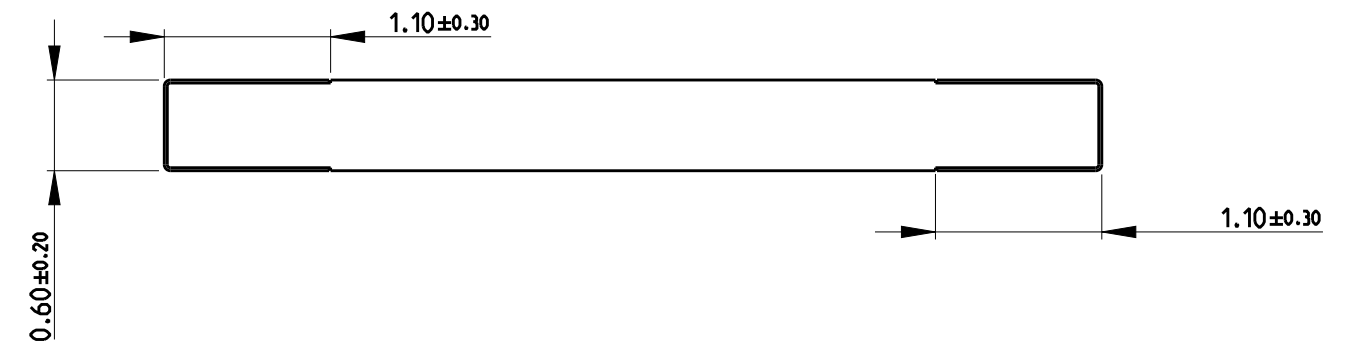
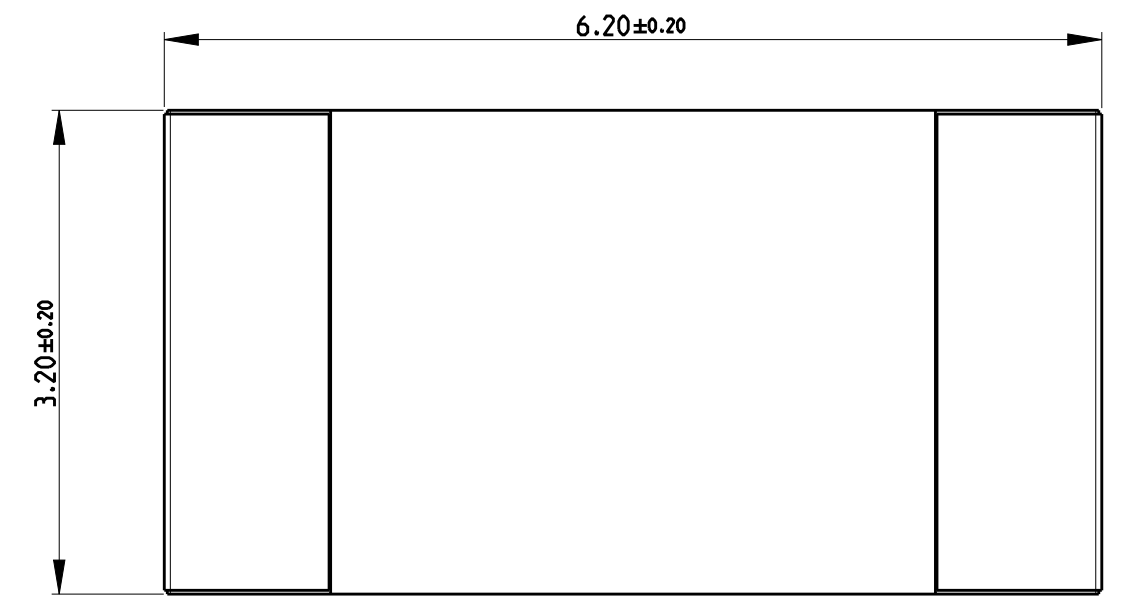


THIS DRAWING IS UNPUBLISHED. RELEASED FOR PUBLICATION 2008  
 (C) COPYRIGHT 2008 ALL RIGHTS RESERVED.

REVISIONS					
P	LTR	DESCRIPTION	DATE	DWN	APVD
	BA	NEW RELEASE	30MAY2014	KR	TN
	BA1	ECR-14-011663	02AUG2014	KR	TN
	BA2	ECR-19-006706	30APR2019	SR	AP

FOR FURTHER INFORMATION SEE DATA SHEET FOR  
 TLR SERIES-SMD HIGH POWER CURRENT SENSE RESISTORS



RoHS Compliant

	COMPLETE TIN	PRODUCT NUMBER	MATERIAL DESCRIPTION	L	W	T	D	WEIGHT / 1000
SUPERSEDED BY 2176417-3	2176166-1	TLR3A10WR010FTDG	TLR 2512 1.0W R010 1% 75PPM 2K RL	6.20±0.20	3.20±0.20	0.60±0.20	1.10±0.30	90.9
OBSOLETE	2176166-2	TLR3A10WR014FTDG	TLR 2512 1.0W R014 1% 75PPM 2K RL	6.20±0.20	3.20±0.20	0.60±0.20	1.10±0.30	90.9
SUPERSEDED BY 1-2176417-0	2176166-3	TLR3A10WR012FTDG	TLR 2512 1.0W R012 1% 75PPM 2K RL	6.20±0.20	3.20±0.20	0.60±0.20	1.10±0.30	90.9
OBSOLETE	2176166-4	TLR3A10WR013FTDG	TLR 2512 1.0W R013 1% 75PPM 2K RL	6.20±0.20	3.20±0.20	0.60±0.20	1.10±0.30	90.9
SUPERSEDED BY 2176417-4	2176166-5	TLR3A10WR015FTDG	TLR 2512 1.0W R015 1% 75PPM 2K RL	6.20±0.20	3.20±0.20	0.60±0.20	1.10±0.30	90.9
OBSOLETE	2176166-6	TLR3A10WR016FTDG	TLR 2512 1.0W R016 1% 75PPM 2K RL	6.20±0.20	3.20±0.20	0.60±0.20	1.10±0.30	90.9
SUPERSEDED BY 2176417-5	2176166-7	TLR3A10WR018FTDG	TLR 2512 1.0W R018 1% 75PPM 2K RL	6.20±0.20	3.20±0.20	0.60±0.20	1.10±0.30	90.9
SUPERSEDED BY 2176417-6	2176166-8	TLR3A10WR020FTDG	TLR 2512 1.0W R020 1% 75PPM 2K RL	6.20±0.20	3.20±0.20	0.60±0.20	1.10±0.30	90.9
OBSOLETE	2176166-9	TLR3A10WR022FTDG	TLR 2512 1.0W R022 1% 75PPM 2K RL	6.20±0.20	3.20±0.20	0.60±0.20	1.10±0.30	90.9
	2176166-0	TLR3A10WR024FTDG	TLR 2512 1.0W R024 1% 75PPM 2K RL	6.20±0.20	3.20±0.20	0.60±0.20	1.10±0.30	90.9
	1-2176166-1	TLR3A10WR027FTDG	TLR 2512 1.0W R027 1% 75PPM 2K RL	6.20±0.20	3.20±0.20	0.60±0.20	1.10±0.30	90.9
SUPERSEDED BY 2176417-2	1-2176166-2	TLR3A10WR030FTDG	TLR 2512 1.0W R030 1% 75PPM 2K RL	6.20±0.20	3.20±0.20	0.60±0.20	1.10±0.30	90.9
SUPERSEDED BY 1-2176417-2	1-2176166-3	TLR3A10WR033FTDG	TLR 2512 1.0W R033 1% 75PPM 2K RL	6.20±0.20	3.20±0.20	0.60±0.20	1.10±0.30	90.9
	1-2176166-4	TLR3A10WR036FTDG	TLR 2512 1.0W R036 1% 75PPM 2K RL	6.20±0.20	3.20±0.20	0.60±0.20	1.10±0.30	90.9
	1-2176166-5	TLR3A10WR039FTDG	TLR 2512 1.0W R039 1% 75PPM 2K RL	6.20±0.20	3.20±0.20	0.60±0.20	1.10±0.30	90.9
	1-2176166-6	TLR3A10WR043FTDG	TLR 2512 1.0W R043 1% 75PPM 2K RL	6.20±0.20	3.20±0.20	0.60±0.20	1.10±0.30	90.9
	1-2176166-7	TLR3A10WR047FTDG	TLR 2512 1.0W R047 1% 75PPM 2K RL	6.20±0.20	3.20±0.20	0.60±0.20	1.10±0.30	90.9
	1-2176166-8	TLR3A10WR051FTDG	TLR 2512 1.0W R051 1% 75PPM 2K RL	6.20±0.20	3.20±0.20	0.60±0.20	1.10±0.30	90.9
	1-2176166-9	TLR3A10WR056FTDG	TLR 2512 1.0W R056 1% 75PPM 2K RL	6.20±0.20	3.20±0.20	0.60±0.20	1.10±0.30	90.9
	2-2176166-0	TLR3A10WR062FTDG	TLR 2512 1.0W R062 1% 75PPM 2K RL	6.20±0.20	3.20±0.20	0.60±0.20	1.10±0.30	90.9
	2-2176166-1	TLR3A10WR068FTDG	TLR 2512 1.0W R068 1% 75PPM 2K RL	6.20±0.20	3.20±0.20	0.60±0.20	1.10±0.30	90.9
SUPERSEDED BY 2176417-7	2-2176166-2	TLR3A10WR075FTDG	TLR 2512 1.0W R075 1% 75PPM 2K RL	6.20±0.20	3.20±0.20	0.60±0.20	1.10±0.30	90.9
OBSOLETE	2-2176166-3	TLR3A10WR082FTDG	TLR 2512 1.0W R082 1% 75PPM 2K RL	6.20±0.20	3.20±0.20	0.60±0.20	1.10±0.30	90.9
	2-2176166-4	TLR3A10WR091FTDG	TLR 2512 1.0W R091 1% 75PPM 2K RL	6.20±0.20	3.20±0.20	0.60±0.20	1.10±0.30	90.9
SUPERSEDED BY 2176417-8	2-2176166-5	TLR3A10WR10FTDG	TLR 2512 1.0W R10 1% 75PPM 2K RL	6.20±0.20	3.20±0.20	0.60±0.20	1.10±0.30	90.9
SUPERSEDED BY 2176417-3	2-2176166-6	TLR3A20WR010FTDG	TLR 2512 2.0W R010 1% 75PPM 2K RL	6.20±0.20	3.20±0.20	0.60±0.20	1.10±0.30	90.9
	2-2176166-7	TLR3A20WR014FTDG	TLR 2512 2.0W R014 1% 75PPM 2K RL	6.20±0.20	3.20±0.20	0.60±0.20	1.10±0.30	90.9
	2-2176166-8	TLR3A20WR012FTDG	TLR 2512 2.0W R012 1% 75PPM 2K RL	6.20±0.20	3.20±0.20	0.60±0.20	1.10±0.30	90.9
	2-2176166-9	TLR3A20WR013FTDG	TLR 2512 2.0W R013 1% 75PPM 2K RL	6.20±0.20	3.20±0.20	0.60±0.20	1.10±0.30	90.9
SUPERSEDED BY 2176417-4	3-2176166-0	TLR3A20WR015FTDG	TLR 2512 2.0W R015 1% 75PPM 2K RL	6.20±0.20	3.20±0.20	0.60±0.20	1.10±0.30	90.9
	3-2176166-1	TLR3A20WR016FTDG	TLR 2512 2.0W R016 1% 75PPM 2K RL	6.20±0.20	3.20±0.20	0.60±0.20	1.10±0.30	90.9
SUPERSEDED BY 2176417-5	3-2176166-2	TLR3A20WR018FTDG	TLR 2512 2.0W R018 1% 75PPM 2K RL	6.20±0.20	3.20±0.20	0.60±0.20	1.10±0.30	90.9
SUPERSEDED BY 2176417-6	3-2176166-3	TLR3A20WR020FTDG	TLR 2512 2.0W R020 1% 75PPM 2K RL	6.20±0.20	3.20±0.20	0.60±0.20	1.10±0.30	90.9
	3-2176166-4	TLR3A20WR022FTDG	TLR 2512 2.0W R022 1% 75PPM 2K RL	6.20±0.20	3.20±0.20	0.60±0.20	1.10±0.30	90.9
	3-2176166-5	TLR3A20WR024FTDG	TLR 2512 2.0W R024 1% 75PPM 2K RL	6.20±0.20	3.20±0.20	0.60±0.20	1.10±0.30	90.9
	3-2176166-6	TLR3A20WR027FTDG	TLR 2512 2.0W R027 1% 75PPM 2K RL	6.20±0.20	3.20±0.20	0.60±0.20	1.10±0.30	90.9
SUPERSEDED BY 2176417-2	3-2176166-7	TLR3A20WR030FTDG	TLR 2512 2.0W R030 1% 75PPM 2K RL	6.20±0.20	3.20±0.20	0.60±0.20	1.10±0.30	90.9
	3-2176166-8	TLR3A20WR033FTDG	TLR 2512 2.0W R033 1% 75PPM 2K RL	6.20±0.20	3.20±0.20	0.60±0.20	1.10±0.30	90.9
	3-2176166-9	TLR3A20WR036FTDG	TLR 2512 2.0W R036 1% 75PPM 2K RL	6.20±0.20	3.20±0.20	0.60±0.20	1.10±0.30	90.9
	4-2176166-0	TLR3A20WR039FTDG	TLR 2512 2.0W R039 1% 75PPM 2K RL	6.20±0.20	3.20±0.20	0.60±0.20	1.10±0.30	90.9
	4-2176166-1	TLR3A20WR043FTDG	TLR 2512 2.0W R043 1% 75PPM 2K RL	6.20±0.20	3.20±0.20	0.60±0.20	1.10±0.30	90.9
	4-2176166-2	TLR3A20WR047FTDG	TLR 2512 2.0W R047 1% 75PPM 2K RL	6.20±0.20	3.20±0.20	0.60±0.20	1.10±0.30	90.9
	4-2176166-3	TLR3A20WR051FTDG	TLR 2512 2.0W R051 1% 75PPM 2K RL	6.20±0.20	3.20±0.20	0.60±0.20	1.10±0.30	90.9
	4-2176166-4	TLR3A20WR056FTDG	TLR 2512 2.0W R056 1% 75PPM 2K RL	6.20±0.20	3.20±0.20	0.60±0.20	1.10±0.30	90.9
	4-2176166-5	TLR3A20WR062FTDG	TLR 2512 2.0W R062 1% 75PPM 2K RL	6.20±0.20	3.20±0.20	0.60±0.20	1.10±0.30	90.9
	4-2176166-6	TLR3A20WR068FTDG	TLR 2512 2.0W R068 1% 75PPM 2K RL	6.20±0.20	3.20±0.20	0.60±0.20	1.10±0.30	90.9
SUPERSEDED BY 2176417-7	4-2176166-7	TLR3A20WR075FTDG	TLR 2512 2.0W R075 1% 75PPM 2K RL	6.20±0.20	3.20±0.20	0.60±0.20	1.10±0.30	90.9
OBSOLETE	4-2176166-8	TLR3A20WR082FTDG	TLR 2512 2.0W R082 1% 75PPM 2K RL	6.20±0.20	3.20±0.20	0.60±0.20	1.10±0.30	90.9
	4-2176166-9	TLR3A20WR091FTDG	TLR 2512 2.0W R091 1% 75PPM 2K RL	6.20±0.20	3.20±0.20	0.60±0.20	1.10±0.30	90.9
SUPERSEDED BY 2176417-8	5-2176166-0	TLR3A20WR10FTDG	TLR 2512 2.0W R10 1% 75PPM 2K RL	6.20±0.20	3.20±0.20	0.60±0.20	1.10±0.30	90.9
SUPERSEDED BY 2176422-2	5-2176166-1	TLR3A30WR010FTDG	TLR 2512 3.0W R010 1% 75PPM 2K RL	6.20±0.20	3.20±0.20	0.60±0.20	1.10±0.30	90.9
	5-2176166-2	TLR3A30WR014FTDG	TLR 2512 3.0W R014 1% 75PPM 2K RL	6.20±0.20	3.20±0.20	0.60±0.20	1.10±0.30	90.9
	5-2176166-3	TLR3A30WR012FTDG	TLR 2512 3.0W R012 1% 75PPM 2K RL	6.20±0.20	3.20±0.20	0.60±0.20	1.10±0.30	90.9
	5-2176166-4	TLR3A30WR013FTDG	TLR 2512 3.0W R013 1% 75PPM 2K RL	6.20±0.20	3.20±0.20	0.60±0.20	1.10±0.30	90.9
SUPERSEDED BY 2176422-4	5-2176166-5	TLR3A30WR015FTDG	TLR 2512 3.0W R015 1% 75PPM 2K RL	6.20±0.20	3.20±0.20	0.60±0.20	1.10±0.30	90.9
OBSOLETE	5-2176166-6	TLR3A30WR016FTDG	TLR 2512 3.0W R016 1% 75PPM 2K RL	6.20±0.20	3.20±0.20	0.60±0.20	1.10±0.30	90.9
SUPERSEDED BY 2176422-5	5-2176166-7	TLR3A30WR018FTDG	TLR 2512 3.0W R018 1% 75PPM 2K RL	6.20±0.20	3.20±0.20	0.60±0.20	1.10±0.30	90.9
SUPERSEDED BY 2176422-6	5-2176166-8	TLR3A30WR020FTDG	TLR 2512 3.0W R020 1% 75PPM 2K RL	6.20±0.20	3.20±0.20	0.60±0.20	1.10±0.30	90.9
	5-2176166-9	TLR3A30WR022FTDG	TLR 2512 3.0W R022 1% 75PPM 2K RL	6.20±0.20	3.20±0.20	0.60±0.20	1.10±0.30	90.9
	6-2176166-0	TLR3A30WR024FTDG	TLR 2512 3.0W R024 1% 75PPM 2K RL	6.20±0.20	3.20±0.20	0.60±0.20	1.10±0.30	90.9
	6-2176166-1	TLR3A30WR027FTDG	TLR 2512 3.0W R027 1% 75PPM 2K RL	6.20±0.20	3.20±0.20	0.60±0.20	1.10±0.30	90.9
SUPERSEDED BY 2176422-8	6-2176166-2	TLR3A30WR030FTDG	TLR 2512 3.0W R030 1% 75PPM 2K RL	6.20±0.20	3.20±0.20	0.60±0.20	1.10±0.30	90.9
	6-2176166-3	TLR3A30WR033FTDG	TLR 2512 3.0W R033 1% 75PPM 2K RL	6.20±0.20	3.20±0.20	0.60±0.20	1.10±0.30	90.9
	6-2176166-4	TLR3A30WR036FTDG	TLR 2512 3.0W R036 1% 75PPM 2K RL	6.20±0.20	3.20±0.20	0.60±0.20	1.10±0.30	90.9
	6-2176166-5	TLR3A30WR039FTDG	TLR 2512 3.0W R039 1% 75PPM 2K RL	6.20±0.20	3.20±0.20	0.60±0.20	1.10±0.30	90.9
	6-2176166-6	TLR3A30WR043FTDG	TLR 2512 3.0W R043 1% 75PPM 2K RL	6.20±0.20	3.20±0.20	0.60±0.20	1.10±0.30	90.9
	6-2176166-7	TLR3A30WR047FTDG	TLR 2512 3.0W R047 1% 75PPM 2K RL	6.20±0.20	3.20±0.20	0.60±0.20	1.10±0.30	90.9
	6-2176166-8	TLR3A30WR051FTDG	TLR 2512 3.0W R051 1% 75PPM 2K RL	6.20±0.20	3.20±0.20	0.60±0.20	1.10±0.30	90.9
	6-2176166-9	TLR3A30WR056FTDG	TLR 2512 3.0W R056 1% 75PPM 2K RL	6.20±0.20	3.20±0.20	0.60±0.20	1.10±0.30	90.9
	7-2176166-0	TLR3A30WR062FTDG	TLR 2512 3.0W R062 1% 75PPM 2K RL	6.20±0.20	3.20±0.20	0.60±0.20	1.10±0.30	90.9
	7-2176166-1	TLR3A30WR068FTDG	TLR 2512 3.0W R068 1% 75PPM 2K RL	6.20±0.20	3.20±0.20	0.60±0.20	1.10±0.30	90.9
SUPERSEDED BY 1-2176422-3	7-2176166-2	TLR3A30WR075FTDG	TLR 2512 3.0W R075 1% 75PPM 2K RL	6.20±0.20	3.20±0.20	0.60±0.20	1.10±0.30	90.9
OBSOLETE	7-2176166-3	TLR3A30WR082FTDG	TLR 2512 3.0W R082 1% 75PPM 2K RL	6.20±0.20	3.20±0.20	0.60±0.20	1.10±0.30	90.9
	7-2176166-4	TLR3A30WR091FTDG	TLR 2512 3.0W R091 1% 75PPM 2K RL	6.20±0.20				