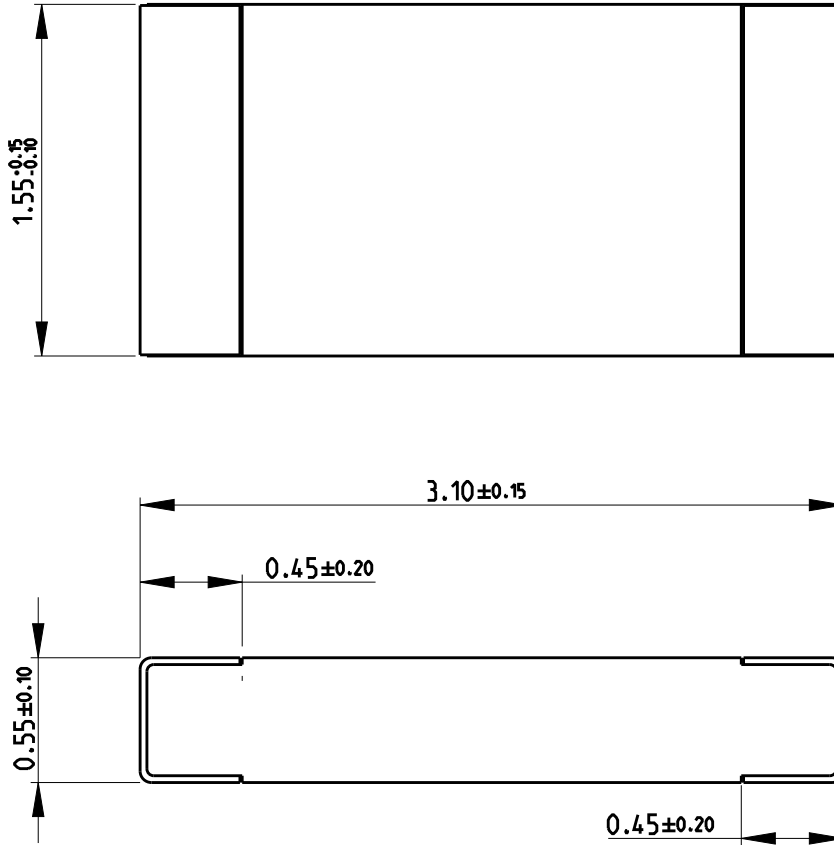


REVISIONS

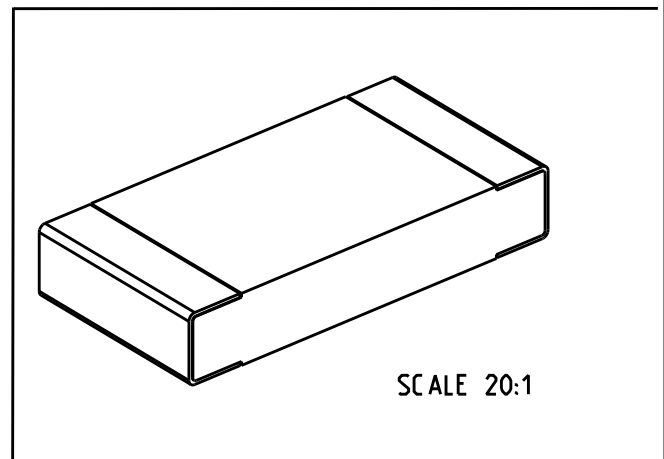
P	LTR	DESCRIPTION	DATE	DWN	APVD
	A	NEW DRAWING	01JUL2019	SR	AP



NOTES:

- FOR FURTHER INFORMATION SEE DATA SHEET FOR CRGS SERIES SMD ANTI-SURGE THICK FILM CHIP RESISTOR

RoHS Compliant



SCALE 20:1

RELEASED FOR PUBLICATION

ALL RIGHTS RESERVED.

THIS DRAWING IS UNPUBLISHED.

© COPYRIGHT copyright\_date BY -

DIMENSIONS:		DWN	01JUL2019	MATERIAL	-	FINISH	-
mm		SUPREETH R					
TOLERANCES UNLESS OTHERWISE SPECIFIED:		CHK	01JUL2019				
0 PLC ±0.5		ALLAN.P					
1 PLC ±0.2		APVD	01JUL2019	NAME SMD ANTI-SURGE THICK FILM CHIP RESISTOR SERIES CRGS 1206			
2 PLC ±0.1		ALLAN.P		SIZE	CAGE CODE	DRAWING NO	RESTRICTED TO
3 PLC ±		PRODUCT SPEC	-	A4	00779	C-2176245	-
4 PLC ±		APPLICATION SPEC	-	SCALE 30:1 SHEET 1 OF 1 REV A			
ANGLES ±5°		WEIGHT	-	CUSTOMER DRAWING			

