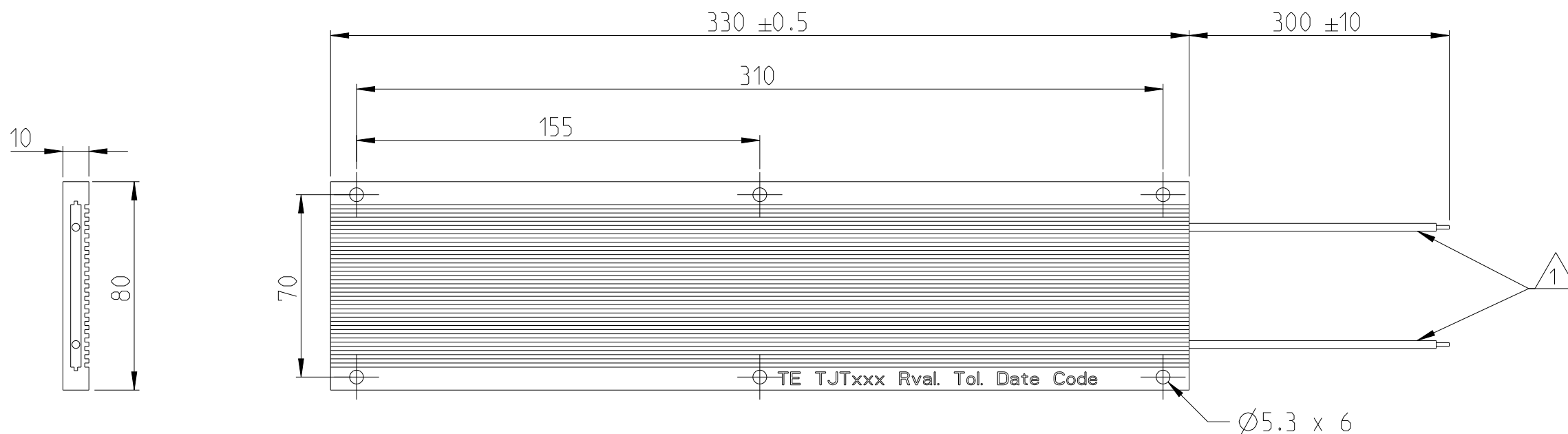


REVISIONS

P	LTR	DESCRIPTION	DATE	DWN	APVD
	BA	INITIAL RELEASE	17SEP2019	SR	AP
	BA1	CHANGE TO MARKING METHOD	05JUL2022	DM	AP

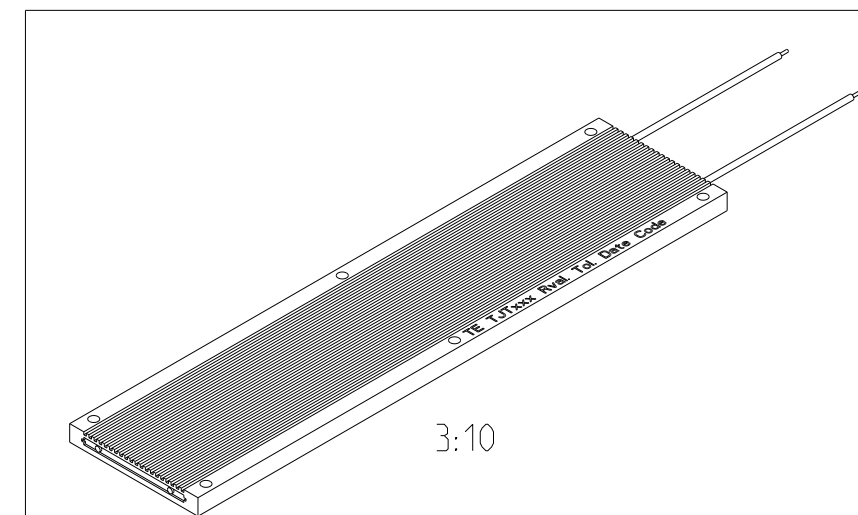


FOR FURTHER INFORMATION SEE DATA SHEET OF TJT SERIES ALUMINIUM HOUSED POWER RESISTORS

NOTE:

1 FLYING LEADS UL APPROVED PTFE (19/0.29 mm - 16AWG UL1330 CABLE- WHITE COLOR)

2 FROM AUGUST 2022 MARKING CHANGED FROM INKJET TO LASER MARKING


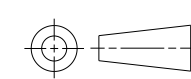


THIS DRAWING IS A CONTROLLED DOCUMENT.		DWN	17SEP2019		
		CHK	17SEP2019		
		APVD	17SEP2019		
		PRODUCT SPEC	A. PILE		
DIMENSIONS: mm 		TOLERANCES UNLESS OTHERWISE SPECIFIED: 0 PLC ± 1 PLC ± 2 PLC ± 3 PLC ± 4 PLC ± ANGLES ±		NAME ALUMINIUM HOUSED POWER RESISTORS - TYPE TJT500 SERIES	
MATERIAL		FINISH		SIZE	RESTRICTED TO
-		-		A3	-
-		-		CAGE CODE	00779
				DRAWING NO	C=2176250
				WEIGHT	-
				CUSTOMER DRAWING	SCALE 1:2
				SHEET	1 OF 2
				REV	BA1

REVISIONS

P	LTR	DESCRIPTION	DATE	DWN	APVD
	-	SEE SHEET 1	-	-	-

TCPN	CATALOGUE NUMBER	PART DESCRIPTION	PART STATUS
2176250-1	TJT5001R0J	TJT 500W 1R0 5%	DISCONTINUED
2176250-2	TJT5001R5J	TJT 500W 1R5 5%	DISCONTINUED
2176250-3	TJT5002R2J	TJT 500W 2R2 5%	DISCONTINUED
2176250-4	TJT5003R3J	TJT 500W 3R3 5%	PRODUCTION
2176250-5	TJT5004R7J	TJT 500W 4R7 5%	PRODUCTION
2176250-6	TJT5006R8J	TJT 500W 6R8 5%	PRODUCTION
2176250-7	TJT50010RJ	TJT 500W 10R 5%	PRODUCTION
2176250-8	TJT50015RJ	TJT 500W 15R 5%	PRODUCTION
2176250-9	TJT50022RJ	TJT 500W 22R 5%	PRODUCTION
1-2176250-0	TJT50033RJ	TJT 500W 33R 5%	PRODUCTION
1-2176250-1	TJT50047RJ	TJT 500W 47R 5%	PRODUCTION
1-2176250-2	TJT50068RJ	TJT 500W 68R 5%	PRODUCTION
1-2176250-3	TJT500100RJ	TJT 500W 100R 5%	PRODUCTION
1-2176250-4	TJT500150RJ	TJT 500W 150R 5%	PRODUCTION
1-2176250-5	TJT500220RJ	TJT 500W 220R 5%	PRODUCTION
1-2176250-6	TJT500330RJ	TJT 500W 330R 5%	PRODUCTION
1-2176250-7	TJT500470RJ	TJT 500W 470R 5%	PRODUCTION
1-2176250-8	TJT500680RJ	TJT 500W 680R 5%	PRODUCTION
1-2176250-9	TJT5001K0J	TJT 500W 1K0 5%	PRODUCTION
2-2176250-0	TJT5001K5J	TJT 500W 1K5 5%	PRODUCTION
2-2176250-1	TJT5002K2J	TJT 500W 2K2 5%	PRODUCTION
2-2176250-2	TJT50030RJ	TJT 500W 30R 5%	PRODUCTION

THIS DRAWING IS A CONTROLLED DOCUMENT.		DWN SUPREETH R	17SEP2019	 TE Connectivity NAME ALUMINIUM HOUSED POWER RESISTORS - TYPE TJT500 SERIES					
DIMENSIONS: mm		CHK A. PILE	17SEP2019						
		APVD A. PILE	17SEP2019						
TOLERANCES UNLESS OTHERWISE SPECIFIED:		PRODUCT SPEC	-						
0 PLC ± 1 PLC ± 2 PLC ± 3 PLC ± 4 PLC ± ANGLES ± MATERIAL - FINISH -		APPLICATION SPEC	-	SIZE	CAGE CODE	DRAWING NO	RESTRICTED TO		
		WEIGHT	-	A3	00779	©=2176250	-		
CUSTOMER DRAWING				SCALE	1:2	SHEET	2 OF 2	REV	BA1