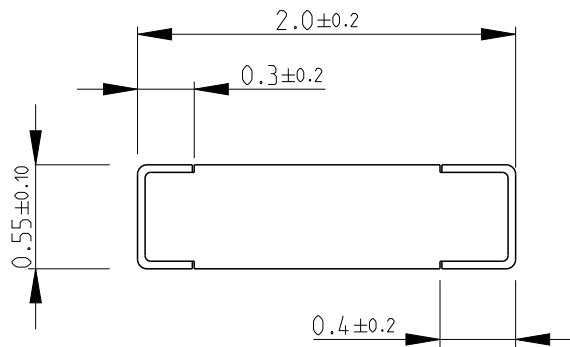
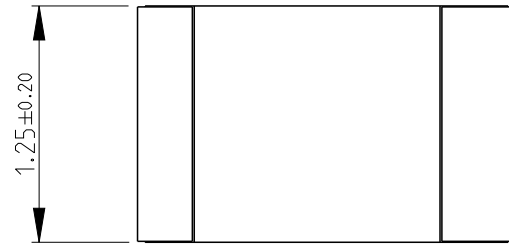
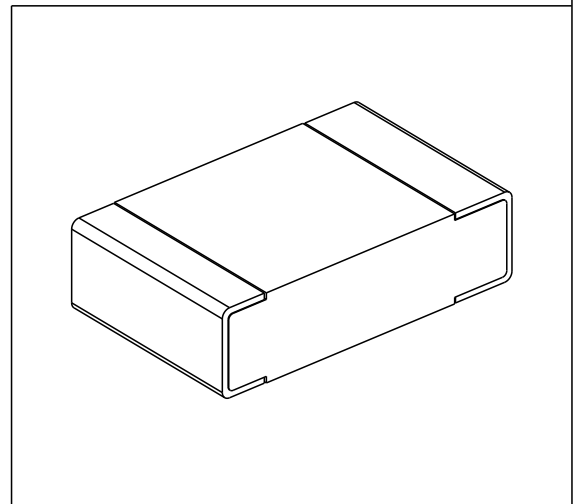


REVISIONS					
P	LTR	DESCRIPTION	DATE	DWN	APVD
	BA	NEW RELEASE	14APR2016	KR	TN

FOR FURTHER INFORMATION SEE DATA SHEET FOR THIN FILM ULTRA PRECISION CHIP RESISTORS SERIES RU73 0805



RoHS Compliant



2008

RELEASED FOR PUBLICATION

ALL RIGHTS RESERVED.

BY -

© COPYRIGHT 2008

THIS DRAWING IS UNPUBLISHED.

DIMENSIONS:		DWN	14 APR 2016	MATERIAL	-	FINISH	-
mm		RAGHAVENDRA.K		TE Connectivity			
TOLERANCES UNLESS OTHERWISE SPECIFIED:		CHK	14 APR 2016				
0 PLC	±0.2	ALLAN.P		NAME THIN FILM ULTRA PRECISION CHIP RESISTORS SERIES RU73 0805			
1 PLC	±0.1	APVD	14 APR 2016				
2 PLC	±	TONY.N		SIZE	CAGE CODE	DRAWING NO	RESTRICTED TO
3 PLC	±	PRODUCT SPEC	-	A 4	00779	C-2176272	-
4 PLC	±	APPLICATION SPEC	-	CUSTOMER DRAWING			
ANGLES	±5°	WEIGHT	-				
						REV	BA