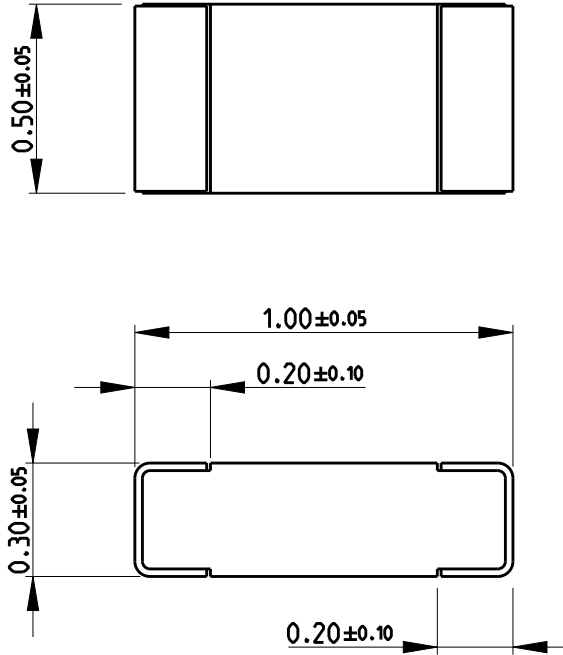


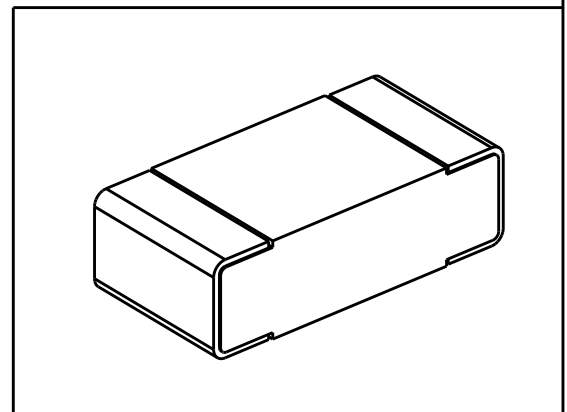
REVISIONS

P	LTR	DESCRIPTION	DATE	DWN	APVD
	A	NEW RELEASE	30MAY2019	SR	AP

FOR FURTHER INFORMATION SEE DATA SHEET FOR
SMD HIGH POWER PRECISION RESISTORS TYPE RP73 SERIES



RoHS Compliant



2008


RELEASED FOR PUBLICATION

ALL RIGHTS RESERVED.

BY -

© COPYRIGHT 2008

THIS DRAWING IS UNPUBLISHED.

DIMENSIONS: mm		DWN SUPREETH R 30MAY2019	MATERIAL -	FINISH -			
TOLERANCES UNLESS OTHERWISE SPECIFIED:		CHK A. PILE 30MAY2019	 TE Connectivity				
0 PLC ±0.2 1 PLC ±0.1 2 PLC ± 3 PLC ± 4 PLC ± ANGLES ±5°		APVD A. PILE 30MAY2019					
		PRODUCT SPEC -	NAME THIN FILM HIGH POWER PRECISION CHIP RESISTOR SERIES RP73 0402				
		APPLICATION SPEC -	SIZE A4	CAGE CODE 00779	DRAWING NO C-2176304	RESTRICTED TO -	
		WEIGHT -	CUSTOMER DRAWING		SCALE NTS	SHEET 1 OF 1	REV A