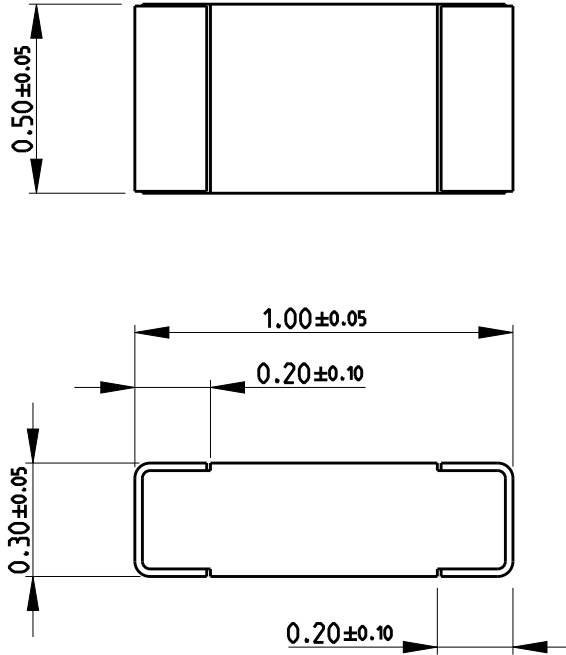


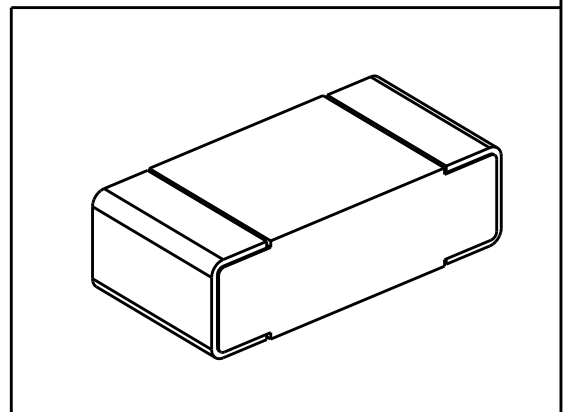
REVISIONS

P	LTR	DESCRIPTION	DATE	DWN	APVD
	A	NEW RELEASE	30MAY2019	SR	AP

FOR FURTHER INFORMATION SEE DATA SHEET FOR
SMD HIGH POWER PRECISION RESISTORS TYPE RP73 SERIES



RoHS Compliant



2008

RELEASED FOR PUBLICATION

ALL RIGHTS RESERVED.

BY -

© COPYRIGHT 2008

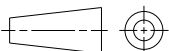
THIS DRAWING IS UNPUBLISHED.

DIMENSIONS:

mm

TOLERANCES UNLESS OTHERWISE SPECIFIED:

0 PLC	±0.2
1 PLC	±0.1
2 PLC	±
3 PLC	±
4 PLC	±
ANGLES	±5°



DWN	SUPREETH R	30MAY2019
CHK	A. PILE	30MAY2019
APVD	A. PILE	30MAY2019
PRODUCT SPEC	-	
APPLICATION SPEC	-	
WEIGHT	-	

MATERIAL	-	FINISH	-
----------	---	--------	---



TE Connectivity

NAME THIN FILM HIGH POWER PRECISION CHIP
RESISTOR SERIES RP73 0402

SIZE	CAGE CODE	DRAWING NO	RESTRICTED TO
A 4	00779	C-2176308	-

CUSTOMER DRAWING	SCALE	NTS	SHEET	1 OF 1	REV	A
------------------	-------	-----	-------	--------	-----	---