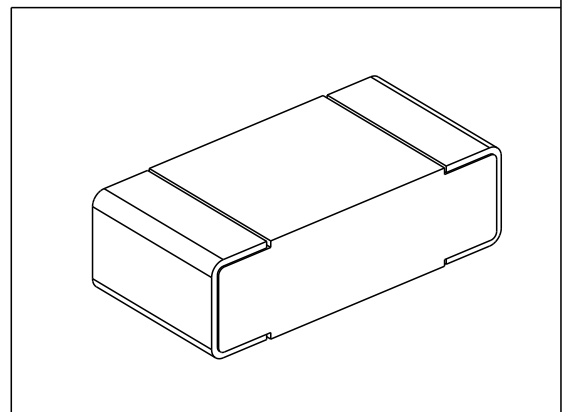
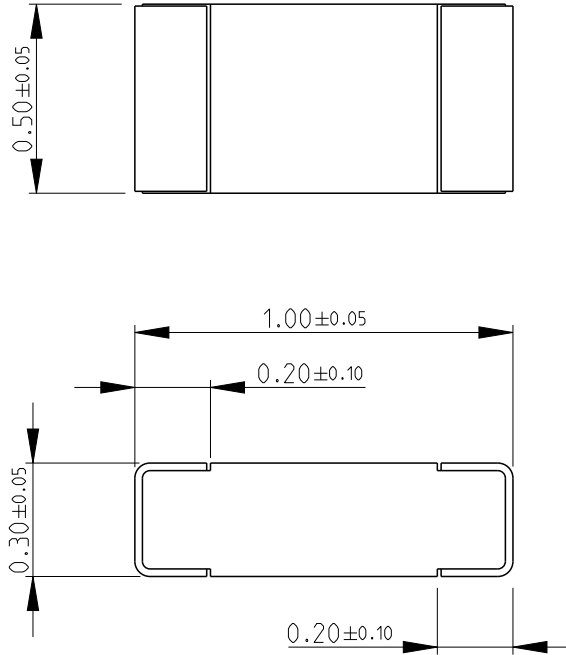


REVISIONS

P	LTR	DESCRIPTION	DATE	DWN	APVD
	A	NEW RELEASE	30MAY2019	SR	AP

FOR FURTHER INFORMATION SEE DATA SHEET FOR  
SMD HIGH POWER PRECISION RESISTORS TYPE RP73 SERIES



RoHS Compliant

2008


RELEASED FOR PUBLICATION

ALL RIGHTS RESERVED.

BY -

© COPYRIGHT 2008

THIS DRAWING IS UNPUBLISHED.

DIMENSIONS: mm	DWN SUPREETH R	30MAY2019	MATERIAL	-	FINISH	-					
	CHK A. PILE	30MAY2019	 TE Connectivity								
TOLERANCES UNLESS OTHERWISE SPECIFIED:	APVD A. PILE	30MAY2019					NAME	THIN FILM HIGH POWER PRECISION CHIP RESISTOR SERIES RP73 0402			
	PRODUCT SPEC	-	SIZE	CAGE CODE	DRAWING NO	RESTRICTED TO					
	APPLICATION SPEC	-	A 4	00779	C-2176311	-					
0 PLC ±0.2 1 PLC ±0.1 2 PLC ± 3 PLC ± 4 PLC ± ANGLES ±5°	WEIGHT	-	CUSTOMER DRAWING			SCALE	NTS	SHEET	1 OF 1	REV	A