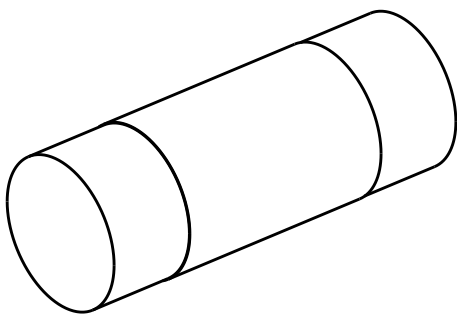
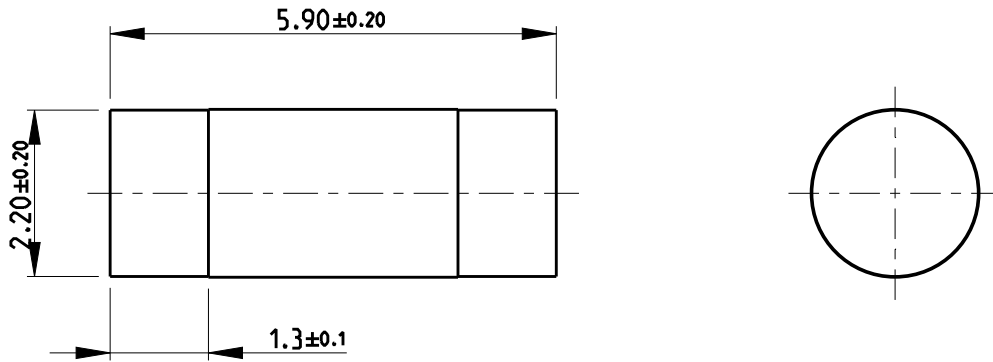


REVISIONS


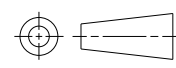
P	LTR	DESCRIPTION	DATE	DWN	APVD
	A	INITIAL RELEASE	09APR2019	SR	AP

FOR FURTHER INFORMATION SEE DATA SHEET OF SMA-SERIES MELF RESISTORS



RoHS Compliant

© 2019 TE Connectivity. All Rights Reserved.

DIMENSIONS: mm		DWN SUPREETH R 09APR2019	MATERIAL -	FINISH -
TOLERANCES UNLESS OTHERWISE SPECIFIED:		CHK A. PILE 09APR2019	 TE Connectivity	
0 PLC ± 0.2 1 PLC ± 0.1 2 PLC \pm 3 PLC \pm 4 PLC \pm ANGLES $\pm 5^\circ$		APVD A. PILE 09APR2019		
		PRODUCT SPEC -	NAME MELF RESISTORS SMA-A0207 SERIES	
		APPLICATION SPEC -	SIZE A4	CAGE CODE 00779
		WEIGHT -	DRAWING NO C-2176317	RESTRICTED TO -
		CUSTOMER DRAWING		SCALE 10:1
				SHEET 1 OF 1
				REV A