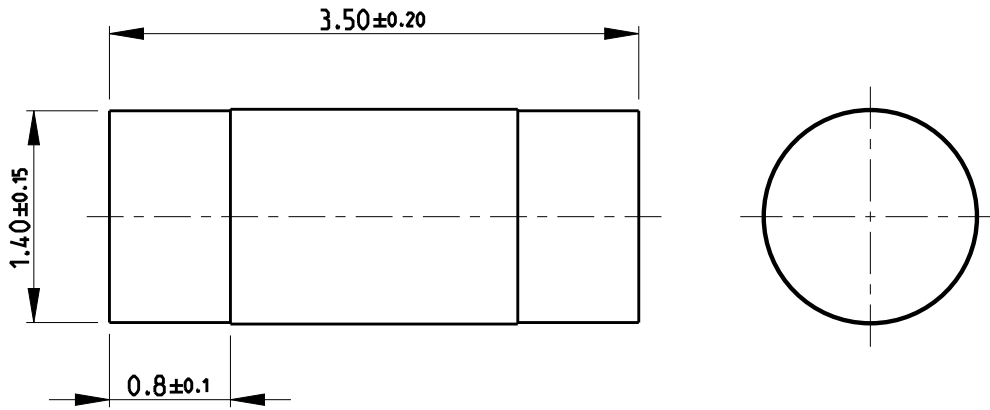
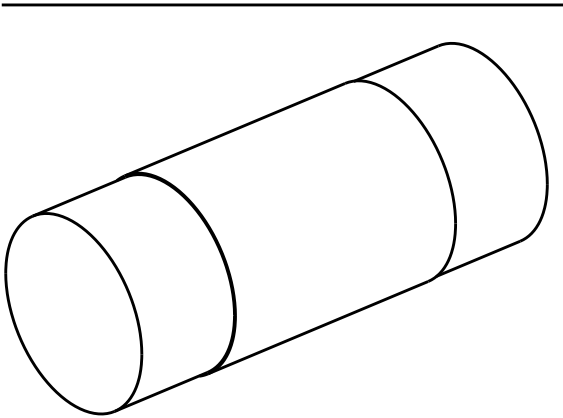


LOC	DIST	REVISIONS					
E	B	P	LTR	DESCRIPTION	DATE	DWN	APVD
			BA	NEW RELEASE	18DEC 2017	GCM	TN

FOR FURTHER INFORMATION SEE DATA SHEET OF SMA-SERIES MELF RESISTORS



RoHS Compliant




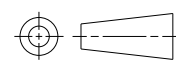
2008

RELEASED FOR PUBLICATION

ALL RIGHTS RESERVED.

THIS DRAWING IS UNPUBLISHED.

© COPYRIGHT 2008

DIMENSIONS:		DWN	18DEC 2017	MATERIAL	-	FINISH	-
mm		GANESH C M		 TE Connectivity			
TOLERANCES UNLESS OTHERWISE SPECIFIED:		CHK	18DEC 2017				
0 PLC	±0.2	ALLAN.P		NAME MELF RESISTORS SMA-A0204 SERIES			
1 PLC	±0.1	APVD	18DEC 2017				
2 PLC	±	TONY.N		SIZE	CAGE CODE	DRAWING NO	RESTRICTED TO
3 PLC	±	PRODUCT SPEC	-	A 4	00779	C-2176321	-
4 PLC	±	APPLICATION SPEC	-	SCALE 40:1 SHEET 1 OF 1 REV BA			
ANGLES	±5°	WEIGHT	-				
		CUSTOMER DRAWING					