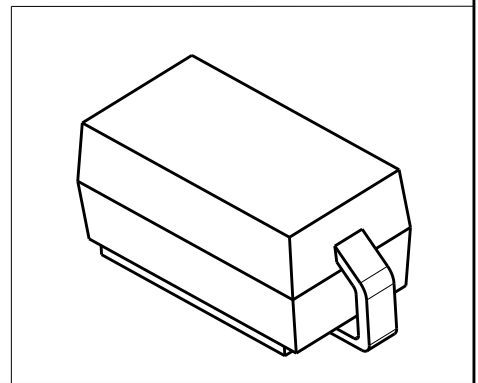
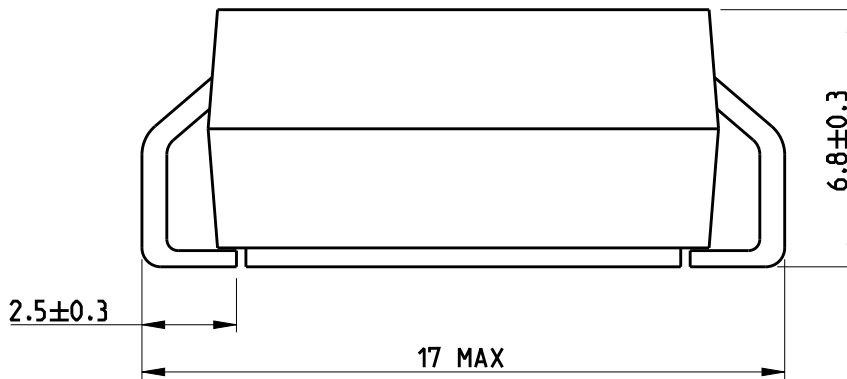
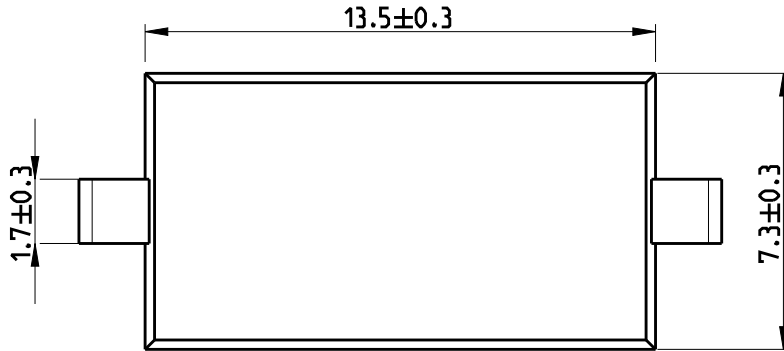


REVISIONS					
P	LTR	DESCRIPTION	DATE	DWN	APVD
	A	INITIAL RELEASE	15MAY2018	GCM	AP



- NOTES:
1. RATED POWER: 3W
  2. RESISTANCE RANGE( $\Omega$ ): 100K ~ 10M
  3. MAX. WORKING VOLTAGE, DC: 5000V, RMS: 3500V

2008

RELEASED FOR PUBLICATION

ALL RIGHTS RESERVED.

Tyco Electronics AMP GmbH

© COPYRIGHT 2008

THIS DRAWING IS UNPUBLISHED.

DIMENSIONS:		DWN	15MAY2018	MATERIAL	FINISH	
mm		GANESH C M		-	-	
TOLERANCES UNLESS OTHERWISE SPECIFIED:		CHK	15MAY2018	<b>TE Connectivity</b>		
0 PLC $\pm 0.2$		ALLAN.P				
1 PLC $\pm 0.1$		APVD	15MAY2018	NAME HIGH VOLTAGE CHIP RESISTORS TYPE SMV3W		
2 PLC $\pm$		TONY.N				
3 PLC $\pm$		PRODUCT SPEC	-	SIZE	CAGE CODE	DRAWING NO
4 PLC $\pm$		APPLICATION SPEC	-	A4	00779	C-2176324
ANGLES $\pm 5^\circ$		WEIGHT	-	RESTRICTED TO		
		CUSTOMER DRAWING		SCALE	SHEET	REV
				5:1	1 OF 1	A