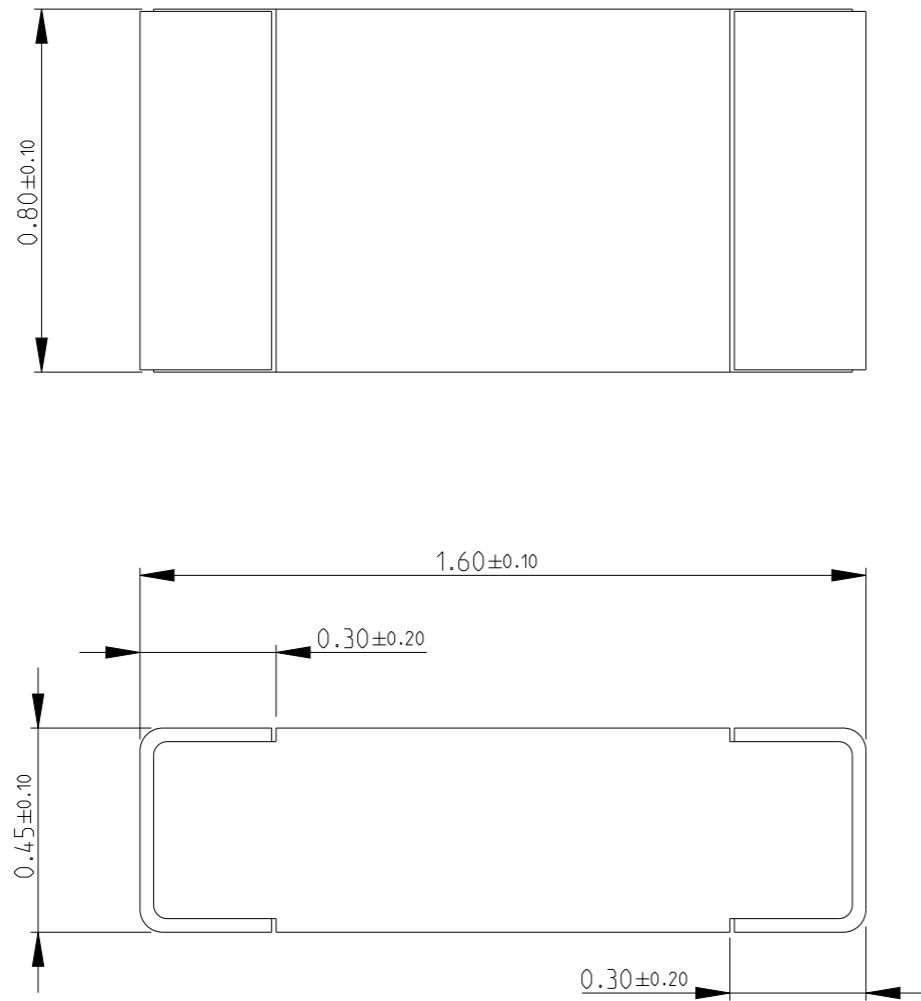


REVISIONS

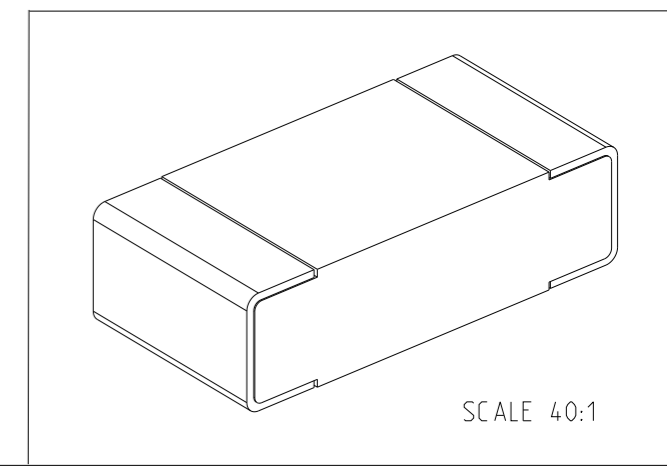
P	LTR	DESCRIPTION	DATE	DWN	APVD
	A	NEW DRAWING	13APR2018	GCM	AP
	A1	SCHEDULE ADDED	18MAY2022	DM	CB



NOTES:

- FOR FURTHER INFORMATION SEE DATA SHEET FOR CRGP SERIES SMD PULSE THICK FILM CHIP RESISTORS

RoHS Compliant



SCALE 40:1


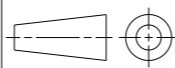
THIS DRAWING IS A CONTROLLED DOCUMENT.		DWN	13APR2018			TE Connectivity	
		CHK	13APR2018				
		APVD	13APR2018				
DIMENSIONS: mm		TOLERANCES UNLESS OTHERWISE SPECIFIED:		NAME			
		0 PLC ±0.5		SMD PULSE THICK FILM CHIP RESISTOR			
		1 PLC ±0.2		SERIES CRGP 0603			
		2 PLC ±0.1		SIZE	CAGE CODE	DRAWING NO	RESTRICTED TO
		3 PLC ±		A3	00779	©=2176326	-
4 PLC ±		APPLICATION SPEC					
MATERIAL		FINISH		WEIGHT			
-		-		-			
		CUSTOMER DRAWING		SCALE	SHEET	REV	
				60:1	1 OF 2	A1	

REVISIONS

P	LTR	DESCRIPTION	DATE	DWN	APVD
	-	SEE SHEET 1	-	-	-

TE PART NUMBER	TE PRODUCT DESCRIPTION	CATALOGUE NUMBER
2176326-1	CRGP 0603 10R 1%	CRGP0603F10R
2176326-2	CRGP 0603 12R 1%	CRGP0603F12R
2176326-3	CRGP 0603 15R 1%	CRGP0603F15R
2176326-4	CRGP 0603 18R 1%	CRGP0603F18R
2176326-5	CRGP 0603 22R 1%	CRGP0603F22R
2176326-6	CRGP 0603 27R 1%	CRGP0603F27R
2176326-7	CRGP 0603 33R 1%	CRGP0603F33R
2176326-8	CRGP 0603 39R 1%	CRGP0603F39R
2176326-9	CRGP 0603 47R 1%	CRGP0603F47R
1-2176326-0	CRGP 0603 56R 1%	CRGP0603F56R
1-2176326-1	CRGP 0603 68R 1%	CRGP0603F68R
1-2176326-2	CRGP 0603 82R 1%	CRGP0603F82R
1-2176326-3	CRGP 0603 100R 1%	CRGP0603F100R
1-2176326-4	CRGP 0603 120R 1%	CRGP0603F120R
1-2176326-5	CRGP 0603 150R 1%	CRGP0603F150R
1-2176326-6	CRGP 0603 180R 1%	CRGP0603F180R
1-2176326-7	CRGP 0603 220R 1%	CRGP0603F220R
1-2176326-8	CRGP 0603 270R 1%	CRGP0603F270R
1-2176326-9	CRGP 0603 330R 1%	CRGP0603F330R
2-2176326-0	CRGP 0603 390R 1%	CRGP0603F390R
2-2176326-1	CRGP 0603 470R 1%	CRGP0603F470R
2-2176326-2	CRGP 0603 560R 1%	CRGP0603F560R
2-2176326-3	CRGP 0603 680R 1%	CRGP0603F680R
2-2176326-4	CRGP 0603 820R 1%	CRGP0603F820R
2-2176326-5	CRGP 0603 1K0 1%	CRGP0603F1K0
2-2176326-6	CRGP 0603 1K2 1%	CRGP0603F1K2
2-2176326-7	CRGP 0603 1K5 1%	CRGP0603F1K5
2-2176326-8	CRGP 0603 1K8 1%	CRGP0603F1K8
2-2176326-9	CRGP 0603 2K2 1%	CRGP0603F2K2
3-2176326-0	CRGP 0603 2K7 1%	CRGP0603F2K7
3-2176326-1	CRGP 0603 3K3 1%	CRGP0603F3K3

TE PART NUMBER	TE PRODUCT DESCRIPTION	CATALOGUE NUMBER
3-2176326-2	CRGP 0603 3K9 1%	CRGP0603F3K9
3-2176326-3	CRGP 0603 4K7 1%	CRGP0603F4K7
3-2176326-4	CRGP 0603 5K6 1%	CRGP0603F5K6
3-2176326-5	CRGP 0603 6K8 1%	CRGP0603F6K8
3-2176326-6	CRGP 0603 8K2 1%	CRGP0603F8K2
3-2176326-7	CRGP 0603 10K 1%	CRGP0603F10K
3-2176326-8	CRGP 0603 12K 1%	CRGP0603F12K
3-2176326-9	CRGP 0603 15K 1%	CRGP0603F15K
4-2176326-0	CRGP 0603 18K 1%	CRGP0603F18K
4-2176326-1	CRGP 0603 22K 1%	CRGP0603F22K
4-2176326-2	CRGP 0603 27K 1%	CRGP0603F27K
4-2176326-3	CRGP 0603 33K 1%	CRGP0603F33K
4-2176326-4	CRGP 0603 39K 1%	CRGP0603F39K
4-2176326-5	CRGP 0603 47K 1%	CRGP0603F47K
4-2176326-6	CRGP 0603 56K 1%	CRGP0603F56K
4-2176326-7	CRGP 0603 68K 1%	CRGP0603F68K
4-2176326-8	CRGP 0603 82K 1%	CRGP0603F82K
4-2176326-9	CRGP 0603 100K 1%	CRGP0603F100K
5-2176326-0	CRGP 0603 120K 1%	CRGP0603F120K
5-2176326-1	CRGP 0603 150K 1%	CRGP0603F150K
5-2176326-2	CRGP 0603 180K 1%	CRGP0603F180K
5-2176326-3	CRGP 0603 220K 1%	CRGP0603F220K
5-2176326-4	CRGP 0603 270K 1%	CRGP0603F270K
5-2176326-5	CRGP 0603 330K 1%	CRGP0603F330K
5-2176326-6	CRGP 0603 390K 1%	CRGP0603F390K
5-2176326-7	CRGP 0603 470K 1%	CRGP0603F470K
5-2176326-8	CRGP 0603 560K 1%	CRGP0603F560K
5-2176326-9	CRGP 0603 680K 1%	CRGP0603F680K
6-2176326-0	CRGP 0603 820K 1%	CRGP0603F820K
6-2176326-1	CRGP 0603 1M0 1%	CRGP0603F1M0
6-2176326-2	CRGP 0603 11K8 1%	CRGP0603F11K8

THIS DRAWING IS A CONTROLLED DOCUMENT.		DWN GANESH C M 13APR2018	 TE Connectivity		
DIMENSIONS: mm		CHK ALLAN.P 13APR2018			
TOLERANCES UNLESS OTHERWISE SPECIFIED:		APVD ALLAN.P 13APR2018	NAME SMD PULSE THICK FILM CHIP RESISTOR SERIES CRGP 0603		
		PRODUCT SPEC			
0 PLC ±0.5 1 PLC ±0.2 2 PLC ±0.1 3 PLC ± 4 PLC ± ANGLES ±°		APPLICATION SPEC	RESTRICTED TO		
MATERIAL		WEIGHT	SIZE A3	CAGE CODE 00779	DRAWING NO C=2176326
		CUSTOMER DRAWING	SCALE 60:1	SHEET 2 OF 2	REV A1