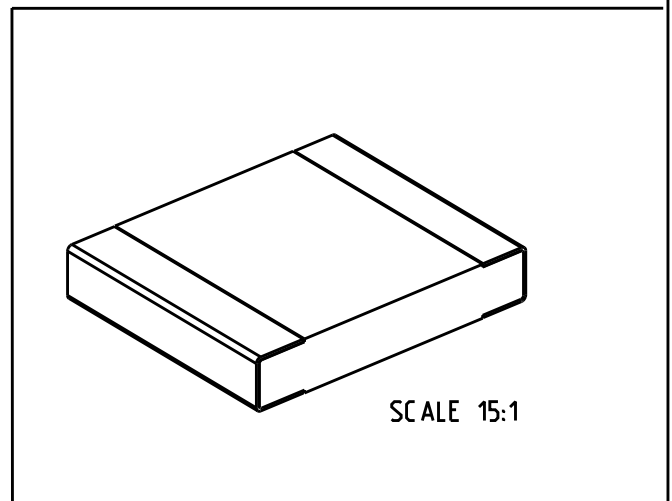
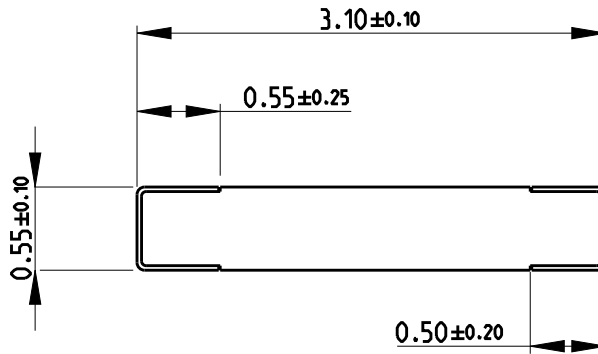
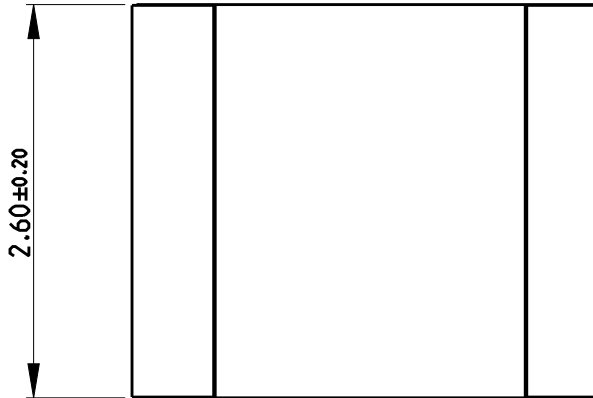


REVISIONS

P	LTR	DESCRIPTION	DATE	DWN	APVD
A		NEW DRAWING	13APR2018	GSK	AP



NOTES:

1. FOR FURTHER INFORMATION SEE DATA SHEET FOR CRGP SERIES SMD PULSE THICK FILM CHIP RESISTORS

RoHS Compliant

RELEASED FOR PUBLICATION

ALL RIGHTS RESERVED.

THIS DRAWING IS UNPUBLISHED.

© COPYRIGHT copyright_date BY -

DIMENSIONS:		DWN	13APR2018	MATERIAL	-	FINISH	-
mm		GANESH C M					
TOLERANCES UNLESS OTHERWISE SPECIFIED:		CHK	13APR2018				
0 PLC	±0.5	ALLAN.P		SMD PULSE THICK FILM CHIP RESISTOR SERIES CRGP 1210			
1 PLC	±0.2	APVD	13APR2018				
2 PLC	±0.1	ALLAN.P		NAME			
3 PLC	±	PRODUCT SPEC	-	SIZE			
4 PLC	±	APPLICATION SPEC	-	CAGE CODE			
ANGLES	±5°	WEIGHT	-	DRAWING NO			
		CUSTOMER DRAWING		A 4 00779		C-2176329	
				RESTRICTED TO		-	
				SCALE	20:1	SHEET	1 OF 1
						REV	A