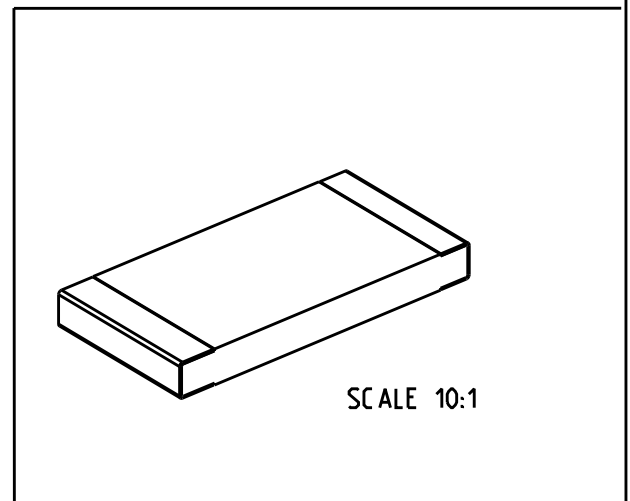
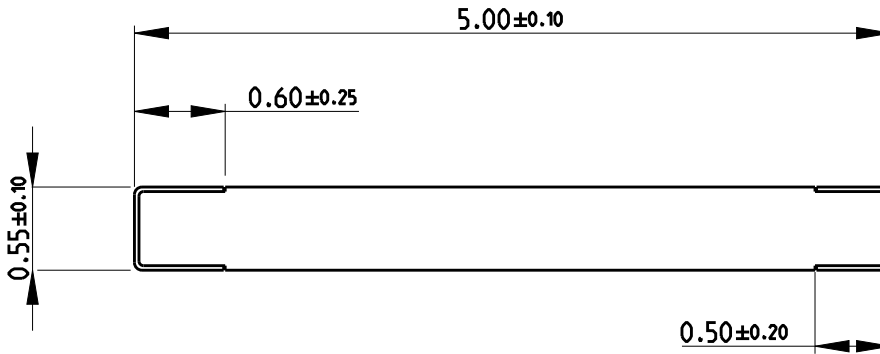
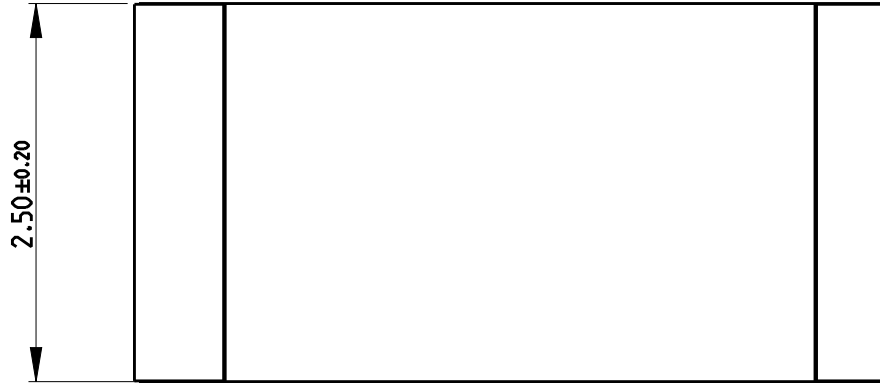


REVISIONS

P	LTR	DESCRIPTION	DATE	DWN	APVD
	A	NEW DRAWING	13APR2018	GCM	AP



NOTES:
 1. FOR FURTHER INFORMATION SEE DATA SHEET FOR CRGP SERIES SMD PULSE THICK FILM CHIP RESISTORS


RoHS Compliant

RELEASED FOR PUBLICATION

ALL RIGHTS RESERVED.

THIS DRAWING IS UNPUBLISHED.

© COPYRIGHT copyright_date BY -

DIMENSIONS: mm		DWN GANESH C M 13APR2018	MATERIAL -	FINISH -			
TOLERANCES UNLESS OTHERWISE SPECIFIED:		CHK ALLAN.P 13APR2018	 TE Connectivity				
0 PLC ±0.5 1 PLC ±0.2 2 PLC ±0.1 3 PLC ± 4 PLC ± ANGLES ±5°		APVD ALLAN.P 13APR2018					
		PRODUCT SPEC -	NAME SMD PULSE THICK FILM CHIP RESISTOR SERIES CRGP 2010				
		APPLICATION SPEC -	SIZE A4	CAGE CODE 00779	DRAWING NO C-2176330	RESTRICTED TO -	
		WEIGHT -	CUSTOMER DRAWING		SCALE 20:1	SHEET 1 OF 1	REV A