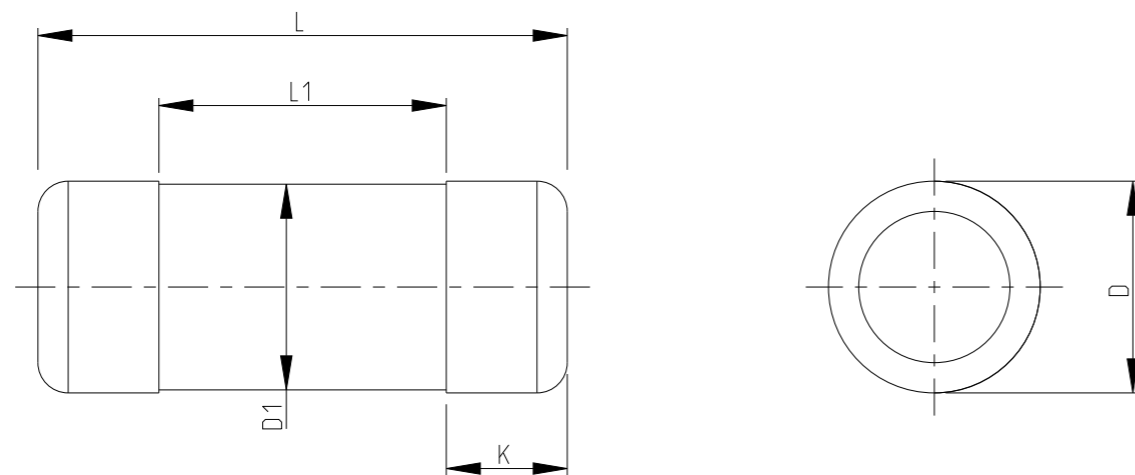


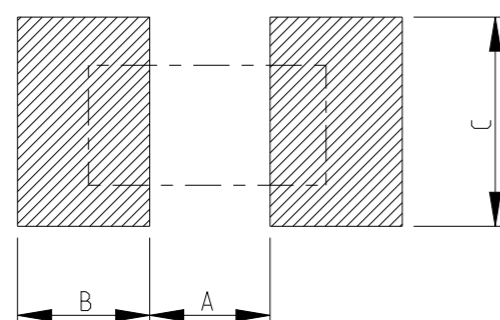
P	LTR	DESCRIPTION	DATE	DWN	APVD
	BA	NEW RELEASE	20JAN2020	SB	AP
	BA1	DRAWING UPDATED AS DATASHEET AND SCHEDULE AND LAND PATTERN ADDED	27MAR2023	DM	AP

FOR FURTHER INFORMATION SEE DATA SHEET OF SMA-SERIES MELF RESISTORS

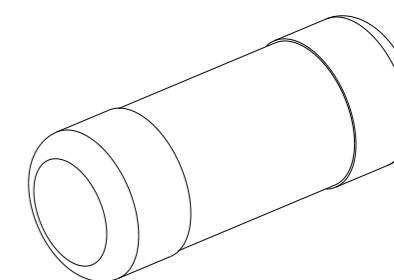


TYPE	L (mm)	L1 (mm)	∅D (mm)	∅D1 (mm)	K (mm)
SMA-A0204	3.5±0.2	1.7	1.4±0.15	D +0/-0.2	0.8±0.1

RECOMMENDED LAND PATTERN



SIZE	A (mm)	B (mm)	C (mm)
SMA-A0204	1.6	1.2	1.6



RoHS Compliant

THIS DRAWING IS A CONTROLLED DOCUMENT.

DIMENSIONS:	TOLERANCES UNLESS OTHERWISE SPECIFIED:
mm	
	0 PLC ±0.2
	1 PLC ±0.1
	2 PLC ±
	3 PLC ±
	4 PLC ±
ANGLES	±5°
MATERIAL	FINISH
-	-
-	-

DWN	20JAN2020
SHRICHARANA B	
CHK	20JAN2020
ALLAN.P	
APVD	20JAN2020
ALLAN.P	
PRODUCT SPEC	
-	
APPLICATION SPEC	
-	
WEIGHT	-
CUSTOMER DRAWING	



NAME METAL FILM PRECISION MELF RESISTOR
AEC-Q200 QUALIFIED - TYPE SMA-A0204 SERIES


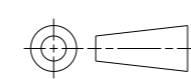
SIZE	CAGE CODE	DRAWING NO	RESTRICTED TO
A3	00779	C=2176334	-
SCALE	40:1	SHEET	1 OF 2
REV	BA1		

REVISIONS

P	LTR	DESCRIPTION	DATE	DWN	APVD
-		SEE SHEET 1	-	-	-

SCHEDULE

TCPN	CATALOGUE NUMBER	PART DESCRIPTION	PART STATUS
2176334-1	SMA-A0204FTDX11K	MELF SMA-A 11K 1% 50PPM 0204 0.4W	PRODUCTION
2176334-2	SMA-A0204FTDX14K	MELF SMA-A 14K 1% 50PPM 0204 0.4W	PRODUCTION
2176334-3	SMA-A0204FTDX3R9	MELF SMA-A 3R9 1% 50PPM 0204 0.4W	PRODUCTION
2176334-4	SMA-A0204FTDX5R6	MELF SMA-A 5R6 1% 50PPM 0204 0.4W	PRODUCTION
2176334-5	SMA-A0204FTDX6R8	MELF SMA-A 6R8 1% 50PPM 0204 0.4W	PRODUCTION
2176334-6	SMA-A0204FTDXR22	MELF SMA-A R22 1% 50PPM 0204 0.4W	PRODUCTION
2176334-7	SMA-A0204FTDXR33	MELF SMA-A R33 1% 50PPM 0204 0.4W	PRODUCTION
2176334-8	SMA-A0204FTDXR36	MELF SMA-A R36 1% 50PPM 0204 0.4W	PRODUCTION
2176334-9	SMA-A0204FTDXR43	MELF SMA-A R43 1% 50PPM 0204 0.4W	PRODUCTION
1-2176334-0	SMA-A0204FTDXR56	MELF SMA-A R56 1% 50PPM 0204 0.4W	PRODUCTION
1-2176334-1	SMA-A0204FTDX1R0	MELF SMA-A 1R0 1% 50PPM 0204 0.4W	PRODUCTION
1-2176334-2	SMA-A0204FTDX1R2	MELF SMA-A 1R2 1% 50PPM 0204 0.4W	PRODUCTION
1-2176334-3	SMA-A0204FTDX1R5	MELF SMA-A 1R5 1% 50PPM 0204 0.4W	PRODUCTION
1-2176334-4	SMA-A0204FTDX1R8	MELF SMA-A 1R8 1% 50PPM 0204 0.4W	PRODUCTION
1-2176334-5	SMA-A0204FTDX2R2	MELF SMA-A 2R2 1% 50PPM 0204 0.4W	PRODUCTION
1-2176334-6	SMA-A0204FTDX4R75	MELF SMA-A 4R75 1% 50PPM 0204 0.4W	PRODUCTION
1-2176334-7	SMA-A0204FTDX5R1	MELF SMA-A 5R1 1% 50PPM 0204 0.4W	PRODUCTION
1-2176334-8	SMA-A0204FTDX75R	MELF SMA-A 75R 1% 50PPM 0204 0.4W	PRODUCTION
1-2176334-9	SMA-A0204FTDX200R	MELF SMA-A 200R 1% 50PPM 0204 0.4W	PRODUCTION
2-2176334-0	SMA-A0204FTDX221R	MELF SMA-A 221R 1% 50PPM 0204 0.4W	PRODUCTION
2-2176334-1	SMA-A0204FTDX7K5	MELF SMA-A 7K5 1% 50PPM 0204 0.4W	PRODUCTION
2-2176334-2	SMA-A0204FTDX20K	MELF SMA-A 20K 1% 50PPM 0204 0.4W	PRODUCTION
2-2176334-3	SMA-A0204FTDX51K	MELF SMA-A 51K 1% 50PPM 0204 0.4W	PRODUCTION
2-2176334-4	SMA-A0204FTDX240K	MELF SMA-A 240K 1% 50PPM 0204 0.4W	PRODUCTION
2-2176334-5	SMA-A0204FTDX3K0	MELF SMA-A 3K0 1% 50PPM 0204 0.4W	PRODUCTION
2-2176334-6	SMA-A0204FTDX750R	MELF SMA-A 750R 1% 50PPM 0204 0.4W	PRODUCTION
2-2176334-7	SMA-A0204FTDXR39	MELF SMA-A R39 1% 50PPM 0204 0.4W	PRODUCTION
2-2176334-8	SMA-A0204FTEXR10	MELF SMA-A R10 1% 100PPM 0204 0.4W	PRODUCTION
2-2176334-9	SMA-A0204FTDX2M74	MELF SMA-A 2M74 1% 50PPM 0204 0.4W	PRODUCTION
3-2176334-0	SMA-A0204FTDX2M0	MELF SMA-A 2M0 1% 50PPM 0204 0.4W	PRODUCTION
3-2176334-1	SMA-A0204FTEX150R	MELF SMA-A 150R 1% 100PPM 0204 0.4W	PRODUCTION
3-2176334-2	SMA-A0204FTDX590R	MELF SMA-A 590R 1% 50PPM 0204 0.4W	PRODUCTION
3-2176334-3	SMA-A0204FTDX1R82	MELF SMA-A 1R82 1% 50PPM 0204 0.4W	PRODUCTION
3-2176334-4	SMA-A0204FTDX8R06	MELF SMA-A 8R06 1% 50PPM 0204 0.4W	PRODUCTION

THIS DRAWING IS A CONTROLLED DOCUMENT.		DWN SHRICHARANA B 20JAN2020	 TE Connectivity	
DIMENSIONS: mm		CHK ALLAN.P 20JAN2020		
TOLERANCES UNLESS OTHERWISE SPECIFIED:		APVD ALLAN.P 20JAN2020	NAME METAL FILM PRECISION MELF RESISTOR AEC-Q200 QUALIFIED - TYPE SMA-A0204 SERIES	
		PRODUCT SPEC -	RESTRICTED TO -	
MATERIAL -		FINISH -	APPLICATION SPEC -	SCALE 40:1
		WEIGHT -	SIZE A3	CAGE CODE 00779
			DRAWING NO C=2176334	SHEET 2 OF 2
			CUSTOMER DRAWING	REV BA1