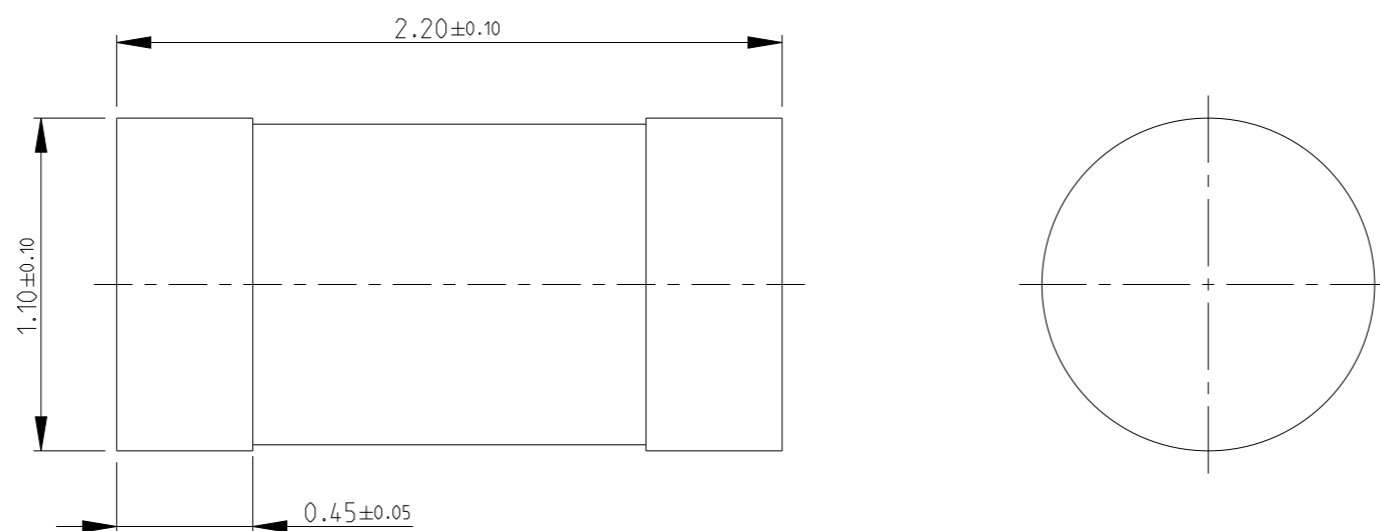


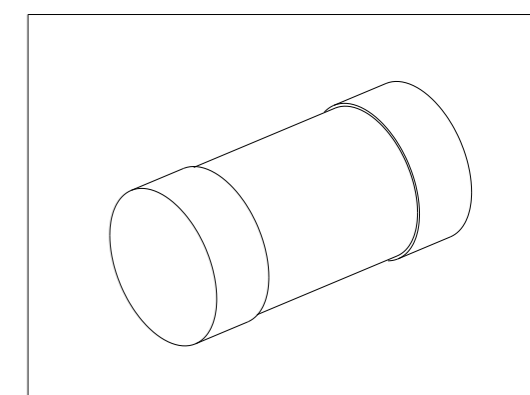
REVISIONS

P	LTR	DESCRIPTION	DATE	DWN	APVD
	BA	NEW RELEASE	20JAN2020	SB	AP
	BA1	NEW PRODUCT INTRODUCTION	01APR2022	DM	AP
	BA2	NEW PRODUCT INTRODUCTION	13JUN2022	KS	AP

FOR FURTHER INFORMATION SEE DATA SHEET OF SMA-SERIES MELF RESISTORS



RoHS Compliant



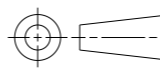
THIS DRAWING IS A CONTROLLED DOCUMENT.		DWN	20JAN2020		
		CHK	20JAN2020		
		APVD	20JAN2020		
DIMENSIONS:		TOLERANCES UNLESS OTHERWISE SPECIFIED:		NAME	
mm				MELF RESISTORS	
		0 PLC	$\pm 0.2$	SMA-A0102 SERIES	
		1 PLC	$\pm 0.1$	SIZE	A3
		2 PLC	$\pm$	CAGE CODE	00779
		3 PLC	$\pm$	DRAWING NO	C=2176335
		4 PLC	$\pm$	RESTRICTED TO	
		ANGLES	$\pm 5^\circ$	-	
MATERIAL		FINISH		WEIGHT	
-		-		-	
-		-		CUSTOMER DRAWING	
				SCALE	40:1
				SHEET	1 OF 2
				REV	BA2

REVISIONS

P	LTR	DESCRIPTION	DATE	DWN	APVD
	-	SEE SHEET 1	-	-	-


SCHEDULE			
TCPN	CATALOGUE NUMBER	PART DESCRIPTION	PART STATUS
2176335-1	SMA-A0102FTDL8R2	MELF SMA-A 8R2 1% 50PPM 0102 0.3W	PRODUCTION
2176335-2	SMA-A0102FTDL9R1	MELF SMA-A 9R1 1% 50PPM 0102 0.3W	PRODUCTION
2176335-3	SMA-A0102FTDL16R	MELF SMA-A 16R 1% 50PPM 0102 0.3W	PRODUCTION
2176335-4	SMA-A0102FTDL24R	MELF SMA-A 24R 1% 50PPM 0102 0.3W	PRODUCTION
2176335-5	SMA-A0102FTDL26R7	MELF SMA-A 26R7 1% 50PPM 0102 0.3W	PRODUCTION
2176335-6	SMA-A0102FTDL30R	MELF SMA-A 30R 1% 50PPM 0102 0.3W	PRODUCTION
2176335-7	SMA-A0102FTDL36R	MELF SMA-A 36R 1% 50PPM 0102 0.3W	PRODUCTION
2176335-8	SMA-A0102FTDL43R	MELF SMA-A 43R 1% 50PPM 0102 0.3W	PRODUCTION
2176335-9	SMA-A0102FTDL51R	MELF SMA-A 51R 1% 50PPM 0102 0.3W	PRODUCTION
1-2176335-0	SMA-A0102FTDL62R	MELF SMA-A 62R 1% 50PPM 0102 0.3W	PRODUCTION
1-2176335-1	SMA-A0102FTDL75R	MELF SMA-A 75R 1% 50PPM 0102 0.3W	PRODUCTION
1-2176335-2	SMA-A0102FTDL110R	MELF SMA-A 110R 1% 50PPM 0102 0.3W	PRODUCTION
1-2176335-3	SMA-A0102FTDL130R	MELF SMA-A 130R 1% 50PPM 0102 0.3W	PRODUCTION
1-2176335-4	SMA-A0102FTDL140R	MELF SMA-A 140R 1% 50PPM 0102 0.3W	PRODUCTION
1-2176335-5	SMA-A0102FTDL160R	MELF SMA-A 160R 1% 50PPM 0102 0.3W	PRODUCTION
1-2176335-6	SMA-A0102FTDL200R	MELF SMA-A 200R 1% 50PPM 0102 0.3W	PRODUCTION
1-2176335-7	SMA-A0102FTDL240R	MELF SMA-A 240R 1% 50PPM 0102 0.3W	PRODUCTION
1-2176335-8	SMA-A0102FTDL300R	MELF SMA-A 300R 1% 50PPM 0102 0.3W	PRODUCTION
1-2176335-9	SMA-A0102FTDL360R	MELF SMA-A 360R 1% 50PPM 0102 0.3W	PRODUCTION
2-2176335-0	SMA-A0102FTDL14K	MELF SMA-A 14K 1% 50PPM 0102 0.3W	PRODUCTION
2-2176335-1	SMA-A0102FTDL20K	MELF SMA-A 20K 1% 50PPM 0102 0.3W	PRODUCTION
2-2176335-2	SMA-A0102FTDL2K0	MELF SMA-A 2K0 1% 50PPM 0102 0.3W	PRODUCTION
2-2176335-3	SMA-A0102FTDL9K1	MELF SMA-A 9K1 1% 50PPM 0102 0.3W	PRODUCTION
2-2176335-4	SMA-A0102FTDL3K0	MELF SMA-A 3K0 1% 50PPM 0102 0.3W	PRODUCTION
2-2176335-5	SMA-A0102FTDL300K	MELF SMA-A 300K 1% 50PPM 0102 0.3W	PRODUCTION
2-2176335-6	SMA-A0102FTDL75K	MELF SMA-A 75K 1% 50PPM 0102 0.3W	PRODUCTION
2-2176335-7	SMA-A0102FTDL20R	MELF SMA-A 20R 1% 50PPM 0102 0.3W	PRODUCTION
2-2176335-8	SMA-A0102FTDL2K55	MELF SMA-A 2K55 1% 50PPM 0102 0.3W	PRODUCTION
2-2176335-9	SMA-A0102FTDL24K9	MELF SMA-A 24K9 1% 50PPM 0102 0.3W	PRODUCTION
3-2176335-0	SMA-A0102FTDL37K4	MELF SMA-A 37K4 1% 50PPM 0102 0.3W	PRODUCTION
3-2176335-1	SMA-A0102FTDL4K22	MELF SMA-A 4K22 1% 50PPM 0102 0.3W	PRODUCTION
3-2176335-2	SMA-A0102FTDL910K	MELF SMA-A 910K 1% 50PPM 0102 0.3W	PRODUCTION
3-2176335-3	SMA-A0102FTEP6K65	MELF SMA-A 6K65 1% 100PPM 0102 0.2W	PRODUCTION
3-2176335-4	SMA-A0102FTEP60K4	MELF SMA-A 60K4 1% 100PPM 0102 0.2W	PRODUCTION
3-2176335-5	SMA-A0102FTEP30K1	MELF SMA-A 30K1 1% 100PPM 0102 0.2W	PRODUCTION
3-2176335-6	SMA-A0102FTEP14K	MELF SMA-A 14K 1% 100PPM 0102 0.2W	PRODUCTION
3-2176335-7	SMA-A0102FTEP11K	MELF SMA-A 11K 1% 100PPM 0102 0.2W	PRODUCTION
3-2176335-8	SMA-A0102FTEP5K62	MELF SMA-A 5K62 1% 100PPM 0102 0.2W	PRODUCTION
3-2176335-9	SMA-A0102FTEP2K32	MELF SMA-A 2K32 1% 100PPM 0102 0.2W	PRODUCTION
4-2176335-0	SMA-A0102FTEP19K1	MELF SMA-A 19K1 1% 100PPM 0102 0.2W	PRODUCTION
4-2176335-1	SMA-A0102FTDL4R7	MELF SMA-A 4R7 1% 50PPM 0102 0.3W	PRODUCTION

THIS DRAWING IS A CONTROLLED DOCUMENT.

DIMENSIONS:	
mm	
	
MATERIAL	
-	

TOLERANCES UNLESS OTHERWISE SPECIFIED:	
0 PLC	±0.2
1 PLC	±0.1
2 PLC	±
3 PLC	±
4 PLC	±
ANGLES	±5°
FINISH	
-	

DWN	20JAN2020
SHRICHARANA B	
CHK	20JAN2020
ALLAN.P	
APVD	20JAN2020
ALLAN.P	
PRODUCT SPEC	
-	
APPLICATION SPEC	
-	
WEIGHT	-
CUSTOMER DRAWING	



TE Connectivity

NAME  
MELF RESISTORS  
SMA-A0102 SERIES

SIZE	CAGE CODE	DRAWING NO	RESTRICTED TO
A3	00779	©=2176335	-

SCALE 40:1 SHEET 2 OF 2 REV BA2