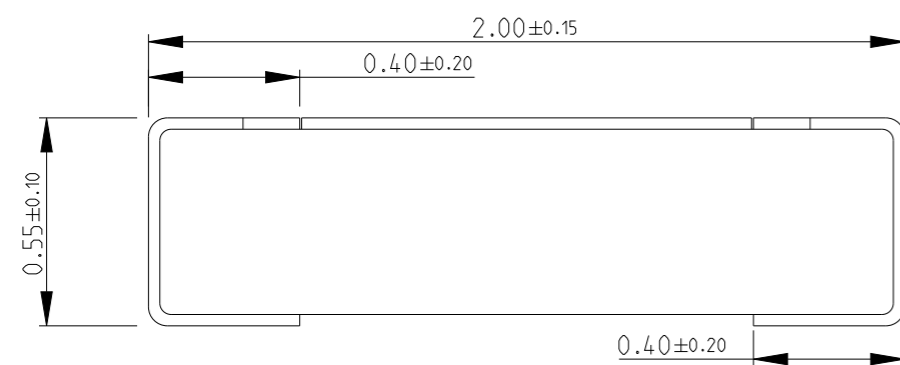
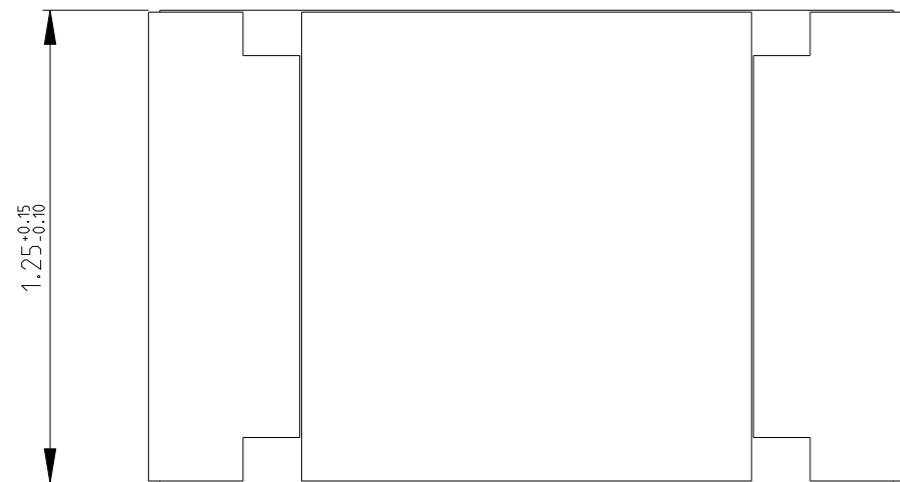
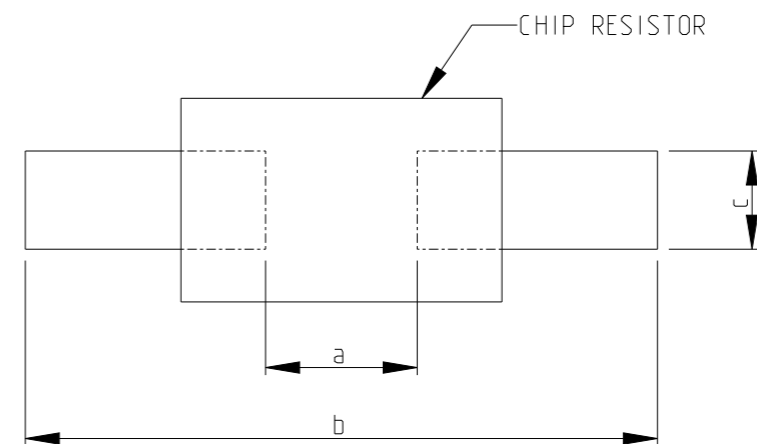


P	LTR	DESCRIPTION	DATE	DWN	APVD
	A	NEW DRAWING	21MAY2018	GCM	AP
	A1	PCB LAYOUT AND SCHEDULE ADDED	24JAN2023	DM	AP



RECOMMENDED PCB LAYOUT PLAN

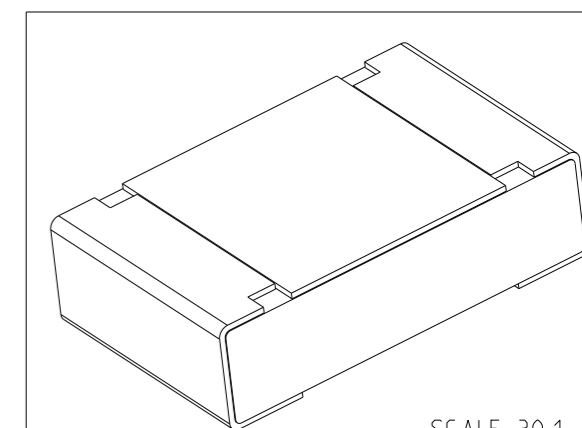


TYPE	a (mm)	b (mm)	c (mm)
0805	0.90 to 1.10	2.90 to 3.10	1.20 to 1.40

NOTES:

- FOR FURTHER INFORMATION SEE DATA SHEET FOR CRGCQ SERIES SMD AEC-Q200 THICK FILM CHIP RESISTORS

RoHS Compliant



SCALE 30:1

THIS DRAWING IS A CONTROLLED DOCUMENT.		DWN GANESH C M 21MAY2018			
DIMENSIONS: mm		CHK ALLAN.P 21MAY2018			
TOLERANCES UNLESS OTHERWISE SPECIFIED:		APVD ALLAN.P 21MAY2018	NAME SMD AEC-Q200 COMPLIANT THICK FILM CHIP RESISTOR TYPE CRGCQ 0805 SERIES		
		PRODUCT SPEC -	-		
MATERIAL -		FINISH -	APPLICATION SPEC -	SIZE A3	CAGE CODE 00779
		WEIGHT -	DRAWING NO C=2176341	RESTRICTED TO -	
CUSTOMER DRAWING			SCALE 50:1	SHEET 1 OF 2	REV A1

REVISIONS


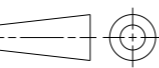
P	LTR	DESCRIPTION	DATE	DWN	APVD
	-	SEE SHEET 1	-	-	-

SCHEDULE

TCPN	CATALOGUE NUMBER	PART DESCRIPTION	PART STATUS
2176341-1	CRGCQ0805F10R	CRGCQ 0805 10R 1%	PRODUCTION
2176341-2	CRGCQ0805F12R	CRGCQ 0805 12R 1%	PRODUCTION
2176341-3	CRGCQ0805F15R	CRGCQ 0805 15R 1%	PRODUCTION
2176341-4	CRGCQ0805F18R	CRGCQ 0805 18R 1%	PRODUCTION
2176341-5	CRGCQ0805F22R	CRGCQ 0805 22R 1%	PRODUCTION
2176341-6	CRGCQ0805F27R	CRGCQ 0805 27R 1%	PRODUCTION
2176341-7	CRGCQ0805F33R	CRGCQ 0805 33R 1%	PRODUCTION
2176341-8	CRGCQ0805F39R	CRGCQ 0805 39R 1%	PRODUCTION
2176341-9	CRGCQ0805F47R	CRGCQ 0805 47R 1%	PRODUCTION
1-2176341-0	CRGCQ0805F56R	CRGCQ 0805 56R 1%	PRODUCTION
1-2176341-1	CRGCQ0805F68R	CRGCQ 0805 68R 1%	PRODUCTION
1-2176341-2	CRGCQ0805F82R	CRGCQ 0805 82R 1%	PRODUCTION
1-2176341-3	CRGCQ0805F100R	CRGCQ 0805 100R 1%	PRODUCTION
1-2176341-4	CRGCQ0805F120R	CRGCQ 0805 120R 1%	PRODUCTION
1-2176341-5	CRGCQ0805F150R	CRGCQ 0805 150R 1%	PRODUCTION
1-2176341-6	CRGCQ0805F180R	CRGCQ 0805 180R 1%	PRODUCTION
1-2176341-7	CRGCQ0805F220R	CRGCQ 0805 220R 1%	PRODUCTION
1-2176341-8	CRGCQ0805F270R	CRGCQ 0805 270R 1%	PRODUCTION
1-2176341-9	CRGCQ0805F330R	CRGCQ 0805 330R 1%	PRODUCTION
2-2176341-0	CRGCQ0805F390R	CRGCQ 0805 390R 1%	PRODUCTION
2-2176341-1	CRGCQ0805F470R	CRGCQ 0805 470R 1%	PRODUCTION
2-2176341-2	CRGCQ0805F560R	CRGCQ 0805 560R 1%	PRODUCTION
2-2176341-3	CRGCQ0805F680R	CRGCQ 0805 680R 1%	PRODUCTION
2-2176341-4	CRGCQ0805F820R	CRGCQ 0805 820R 1%	PRODUCTION
2-2176341-5	CRGCQ0805F1K0	CRGCQ 0805 1K0 1%	PRODUCTION
2-2176341-6	CRGCQ0805F1K2	CRGCQ 0805 1K2 1%	PRODUCTION
2-2176341-7	CRGCQ0805F1K5	CRGCQ 0805 1K5 1%	PRODUCTION
2-2176341-8	CRGCQ0805F1K8	CRGCQ 0805 1K8 1%	PRODUCTION
2-2176341-9	CRGCQ0805F2K2	CRGCQ 0805 2K2 1%	PRODUCTION
3-2176341-0	CRGCQ0805F2K7	CRGCQ 0805 2K7 1%	PRODUCTION

SCHEDULE

TCPN	CATALOGUE NUMBER	PART DESCRIPTION	PART STATUS
3-2176341-1	CRGCQ0805F3K3	CRGCQ 0805 3K3 1%	PRODUCTION
3-2176341-2	CRGCQ0805F3K9	CRGCQ 0805 3K9 1%	PRODUCTION
3-2176341-3	CRGCQ0805F4K7	CRGCQ 0805 4K7 1%	PRODUCTION
3-2176341-4	CRGCQ0805F5K6	CRGCQ 0805 5K6 1%	PRODUCTION
3-2176341-5	CRGCQ0805F6K8	CRGCQ 0805 6K8 1%	PRODUCTION
3-2176341-6	CRGCQ0805F8K2	CRGCQ 0805 8K2 1%	PRODUCTION
3-2176341-7	CRGCQ0805F10K	CRGCQ 0805 10K 1%	PRODUCTION
3-2176341-8	CRGCQ0805F12K	CRGCQ 0805 12K 1%	PRODUCTION
3-2176341-9	CRGCQ0805F15K	CRGCQ 0805 15K 1%	PRODUCTION
4-2176341-0	CRGCQ0805F18K	CRGCQ 0805 18K 1%	PRODUCTION
4-2176341-1	CRGCQ0805F22K	CRGCQ 0805 22K 1%	PRODUCTION
4-2176341-2	CRGCQ0805F27K	CRGCQ 0805 27K 1%	PRODUCTION
4-2176341-3	CRGCQ0805F33K	CRGCQ 0805 33K 1%	PRODUCTION
4-2176341-4	CRGCQ0805F39K	CRGCQ 0805 39K 1%	PRODUCTION
4-2176341-5	CRGCQ0805F47K	CRGCQ 0805 47K 1%	PRODUCTION
4-2176341-6	CRGCQ0805F56K	CRGCQ 0805 56K 1%	PRODUCTION
4-2176341-7	CRGCQ0805F68K	CRGCQ 0805 68K 1%	PRODUCTION
4-2176341-8	CRGCQ0805F82K	CRGCQ 0805 82K 1%	PRODUCTION
4-2176341-9	CRGCQ0805F100K	CRGCQ 0805 100K 1%	PRODUCTION
5-2176341-0	CRGCQ0805F120K	CRGCQ 0805 120K 1%	PRODUCTION
5-2176341-1	CRGCQ0805F150K	CRGCQ 0805 150K 1%	PRODUCTION
5-2176341-2	CRGCQ0805F180K	CRGCQ 0805 180K 1%	PRODUCTION
5-2176341-3	CRGCQ0805F220K	CRGCQ 0805 220K 1%	PRODUCTION
5-2176341-4	CRGCQ0805F270K	CRGCQ 0805 270K 1%	PRODUCTION
5-2176341-5	CRGCQ0805F330K	CRGCQ 0805 330K 1%	PRODUCTION
5-2176341-6	CRGCQ0805F390K	CRGCQ 0805 390K 1%	PRODUCTION
5-2176341-7	CRGCQ0805F470K	CRGCQ 0805 470K 1%	PRODUCTION
5-2176341-8	CRGCQ0805F560K	CRGCQ 0805 560K 1%	PRODUCTION
5-2176341-9	CRGCQ0805F680K	CRGCQ 0805 680K 1%	PRODUCTION
6-2176341-0	CRGCQ0805F820K	CRGCQ 0805 820K 1%	PRODUCTION
6-2176341-1	CRGCQ0805F1M0	CRGCQ 0805 1M0 1%	PRODUCTION

THIS DRAWING IS A CONTROLLED DOCUMENT.		DWN GANESH C M 21MAY2018	 TE Connectivity	
DIMENSIONS: mm		CHK ALLAN.P 21MAY2018		
TOLERANCES UNLESS OTHERWISE SPECIFIED:		APVD ALLAN.P 21MAY2018	NAME SMD AEC-Q200 COMPLIANT THICK FILM CHIP RESISTOR TYPE CRGCQ 0805 SERIES	
		PRODUCT SPEC -	RESTRICTED TO -	
MATERIAL -		FINISH -	APPLICATION SPEC -	SCALE A3 00779 ©=2176341
		WEIGHT -	SIZE A3	CAGE CODE 00779
			DRAWING NO ©=2176341	REVISION REV A1
			CUSTOMER DRAWING	SHEET 2 OF 2