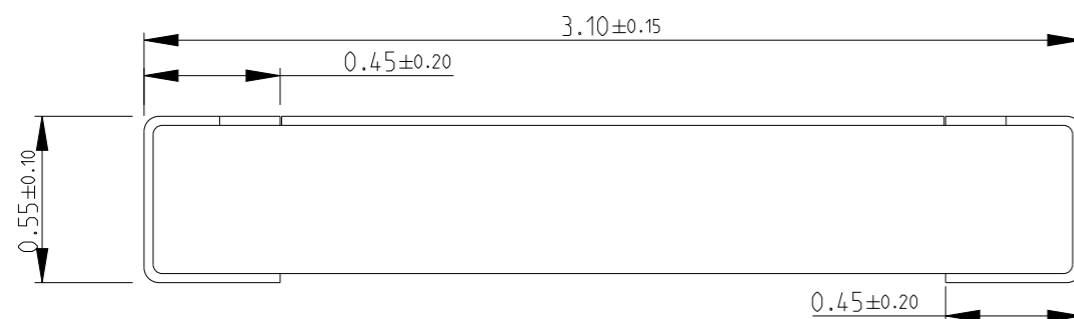
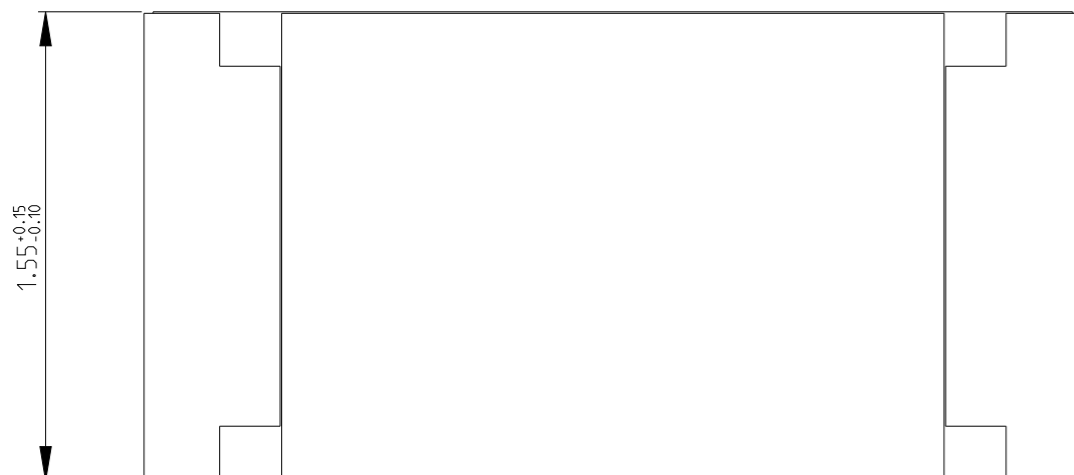
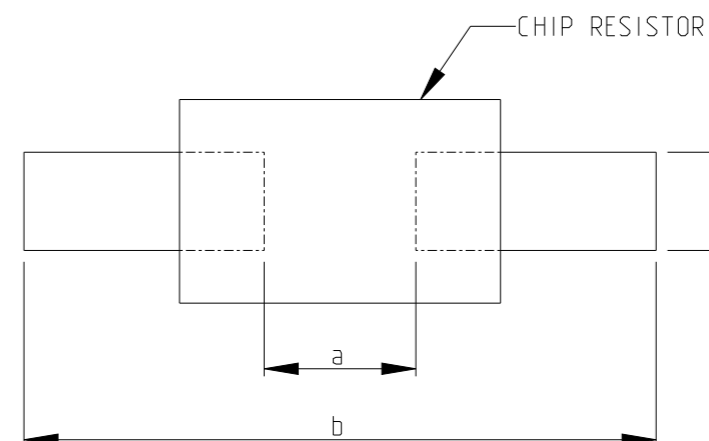


P	LTR	DESCRIPTION	DATE	DWN	APVD
	A	NEW DRAWING	21MAY2018	GCM	AP
	A1	PCB LAYOUT AND SCHEDULE ADDED	24JAN2023	DM	AP



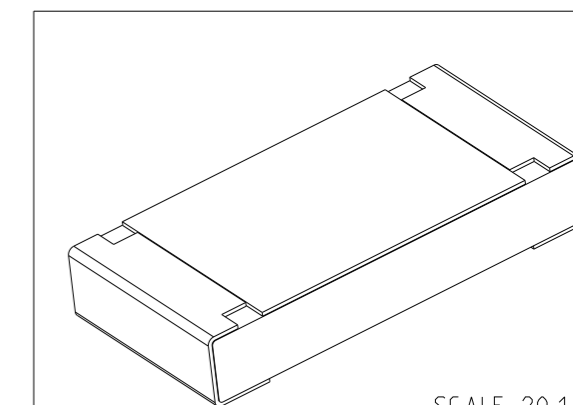
RECOMMENDED PCB LAYOUT PLAN



TYPE	a (mm)	b (mm)	c (mm)
1206	1.90 to 2.10	4.10 to 4.30	1.50 to 1.70

NOTES:

- FOR FURTHER INFORMATION SEE DATA SHEET FOR CRGCQ SERIES SMD AEC-Q200 THICK FILM CHIP RESISTORS



RoHS Compliant

THIS DRAWING IS A CONTROLLED DOCUMENT.		DWN	21MAY2018		
		CHK	21MAY2018		
		APVD	21MAY2018		
		ALLAN.P	ALLAN.P		
DIMENSIONS: mm		TOLERANCES UNLESS OTHERWISE SPECIFIED:		NAME SMD AEC-Q200 COMPLIANT THICK FILM CHIP RESISTOR TYPE CRGCQ 1206 SERIES	
		0 PLC	±0.5	PRODUCT SPEC	
		1 PLC	±0.2	APPLICATION SPEC	
MATERIAL		2 PLC	±0.1	-	
		3 PLC	±	WEIGHT	
FINISH		4 PLC	±	SIZE	
		ANGLES	±5°	CAGE CODE	
-		FINISH	-	DRAWING NO	
				RESTRICTED TO	
				A3 00779 ©=2176343	
				SCALE 40:1 SHEET 1 OF 2 REV A1	
				CUSTOMER DRAWING	

REVISIONS

P	LTR	DESCRIPTION	DATE	DWN	APVD
	-	SEE SHEET 1	-	-	-

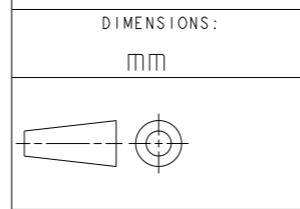
SCHEDULE

TCPN	CATALOGUE NUMBER	PART DESCRIPTION	PART STATUS
2176343-1	CRGCQ1206F10R	CRGCQ 1206 10R 1%	PRODUCTION
2176343-2	CRGCQ1206F12R	CRGCQ 1206 12R 1%	PRODUCTION
2176343-3	CRGCQ1206F15R	CRGCQ 1206 15R 1%	PRODUCTION
2176343-4	CRGCQ1206F18R	CRGCQ 1206 18R 1%	PRODUCTION
2176343-5	CRGCQ1206F22R	CRGCQ 1206 22R 1%	PRODUCTION
2176343-6	CRGCQ1206F27R	CRGCQ 1206 27R 1%	PRODUCTION
2176343-7	CRGCQ1206F33R	CRGCQ 1206 33R 1%	PRODUCTION
2176343-8	CRGCQ1206F39R	CRGCQ 1206 39R 1%	PRODUCTION
2176343-9	CRGCQ1206F47R	CRGCQ 1206 47R 1%	PRODUCTION
1-2176343-0	CRGCQ1206F56R	CRGCQ 1206 56R 1%	PRODUCTION
1-2176343-1	CRGCQ1206F68R	CRGCQ 1206 68R 1%	PRODUCTION
1-2176343-2	CRGCQ1206F82R	CRGCQ 1206 82R 1%	PRODUCTION
1-2176343-3	CRGCQ1206F100R	CRGCQ 1206 100R 1%	PRODUCTION
1-2176343-4	CRGCQ1206F120R	CRGCQ 1206 120R 1%	PRODUCTION
1-2176343-5	CRGCQ1206F150R	CRGCQ 1206 150R 1%	PRODUCTION
1-2176343-6	CRGCQ1206F180R	CRGCQ 1206 180R 1%	PRODUCTION
1-2176343-7	CRGCQ1206F220R	CRGCQ 1206 220R 1%	PRODUCTION
1-2176343-8	CRGCQ1206F270R	CRGCQ 1206 270R 1%	PRODUCTION
1-2176343-9	CRGCQ1206F330R	CRGCQ 1206 330R 1%	PRODUCTION
2-2176343-0	CRGCQ1206F390R	CRGCQ 1206 390R 1%	PRODUCTION
2-2176343-1	CRGCQ1206F470R	CRGCQ 1206 470R 1%	PRODUCTION
2-2176343-2	CRGCQ1206F560R	CRGCQ 1206 560R 1%	PRODUCTION
2-2176343-3	CRGCQ1206F680R	CRGCQ 1206 680R 1%	PRODUCTION
2-2176343-4	CRGCQ1206F820R	CRGCQ 1206 820R 1%	PRODUCTION
2-2176343-5	CRGCQ1206F1K0	CRGCQ 1206 1K0 1%	PRODUCTION
2-2176343-6	CRGCQ1206F1K2	CRGCQ 1206 1K2 1%	PRODUCTION
2-2176343-7	CRGCQ1206F1K5	CRGCQ 1206 1K5 1%	PRODUCTION
2-2176343-8	CRGCQ1206F1K8	CRGCQ 1206 1K8 1%	PRODUCTION
2-2176343-9	CRGCQ1206F2K2	CRGCQ 1206 2K2 1%	PRODUCTION
3-2176343-0	CRGCQ1206F2K7	CRGCQ 1206 2K7 1%	PRODUCTION

SCHEDULE

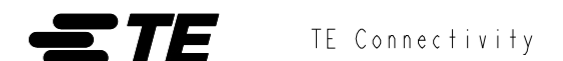
TCPN	CATALOGUE NUMBER	PART DESCRIPTION	PART STATUS
3-2176343-1	CRGCQ1206F3K3	CRGCQ 1206 3K3 1%	PRODUCTION
3-2176343-2	CRGCQ1206F3K9	CRGCQ 1206 3K9 1%	PRODUCTION
3-2176343-3	CRGCQ1206F4K7	CRGCQ 1206 4K7 1%	PRODUCTION
3-2176343-4	CRGCQ1206F5K6	CRGCQ 1206 5K6 1%	PRODUCTION
3-2176343-5	CRGCQ1206F6K8	CRGCQ 1206 6K8 1%	PRODUCTION
3-2176343-6	CRGCQ1206F8K2	CRGCQ 1206 8K2 1%	PRODUCTION
3-2176343-7	CRGCQ1206F10K	CRGCQ 1206 10K 1%	PRODUCTION
3-2176343-8	CRGCQ1206F12K	CRGCQ 1206 12K 1%	PRODUCTION
3-2176343-9	CRGCQ1206F15K	CRGCQ 1206 15K 1%	PRODUCTION
4-2176343-0	CRGCQ1206F18K	CRGCQ 1206 18K 1%	PRODUCTION
4-2176343-1	CRGCQ1206F22K	CRGCQ 1206 22K 1%	PRODUCTION
4-2176343-2	CRGCQ1206F27K	CRGCQ 1206 27K 1%	PRODUCTION
4-2176343-3	CRGCQ1206F33K	CRGCQ 1206 33K 1%	PRODUCTION
4-2176343-4	CRGCQ1206F39K	CRGCQ 1206 39K 1%	PRODUCTION
4-2176343-5	CRGCQ1206F47K	CRGCQ 1206 47K 1%	PRODUCTION
4-2176343-6	CRGCQ1206F56K	CRGCQ 1206 56K 1%	PRODUCTION
4-2176343-7	CRGCQ1206F68K	CRGCQ 1206 68K 1%	PRODUCTION
4-2176343-8	CRGCQ1206F82K	CRGCQ 1206 82K 1%	PRODUCTION
4-2176343-9	CRGCQ1206F100K	CRGCQ 1206 100K 1%	PRODUCTION
5-2176343-0	CRGCQ1206F120K	CRGCQ 1206 120K 1%	PRODUCTION
5-2176343-1	CRGCQ1206F150K	CRGCQ 1206 150K 1%	PRODUCTION
5-2176343-2	CRGCQ1206F180K	CRGCQ 1206 180K 1%	PRODUCTION
5-2176343-3	CRGCQ1206F220K	CRGCQ 1206 220K 1%	PRODUCTION
5-2176343-4	CRGCQ1206F270K	CRGCQ 1206 270K 1%	PRODUCTION
5-2176343-5	CRGCQ1206F330K	CRGCQ 1206 330K 1%	PRODUCTION
5-2176343-6	CRGCQ1206F390K	CRGCQ 1206 390K 1%	PRODUCTION
5-2176343-7	CRGCQ1206F470K	CRGCQ 1206 470K 1%	PRODUCTION
5-2176343-8	CRGCQ1206F560K	CRGCQ 1206 560K 1%	PRODUCTION
5-2176343-9	CRGCQ1206F680K	CRGCQ 1206 680K 1%	PRODUCTION
6-2176343-0	CRGCQ1206F820K	CRGCQ 1206 820K 1%	PRODUCTION
6-2176343-1	CRGCQ1206F1M0	CRGCQ 1206 1M0 1%	PRODUCTION

THIS DRAWING IS A CONTROLLED DOCUMENT.



DIMENSIONS:	TOLERANCES UNLESS OTHERWISE SPECIFIED:
mm	
0 PLC	±0.5
1 PLC	±0.2
2 PLC	±0.1
3 PLC	±
4 PLC	±
ANGLES	±5°
MATERIAL	FINISH
-	-

DWN	GANESH C M	21MAY2018
CHK	ALLAN.P	21MAY2018
APVD	ALLAN.P	21MAY2018
PRODUCT SPEC	-	-
APPLICATION SPEC	-	-
WEIGHT	-	-



NAME SMD AEC-Q200 COMPLIANT THICK FILM CHIP RESISTOR TYPE CRGCQ 1206 SERIES

SIZE	CAGE CODE	DRAWING NO	RESTRICTED TO
A3	00779	©=2176343	-

CUSTOMER DRAWING SCALE 40:1 SHEET 2 OF 2 REV A1