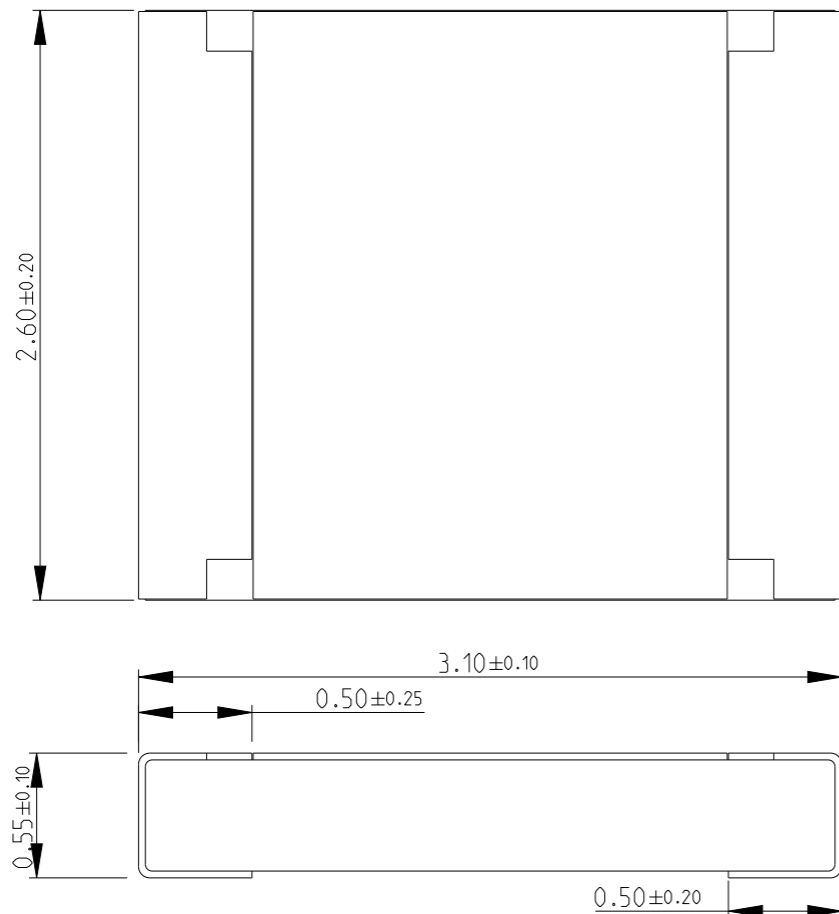
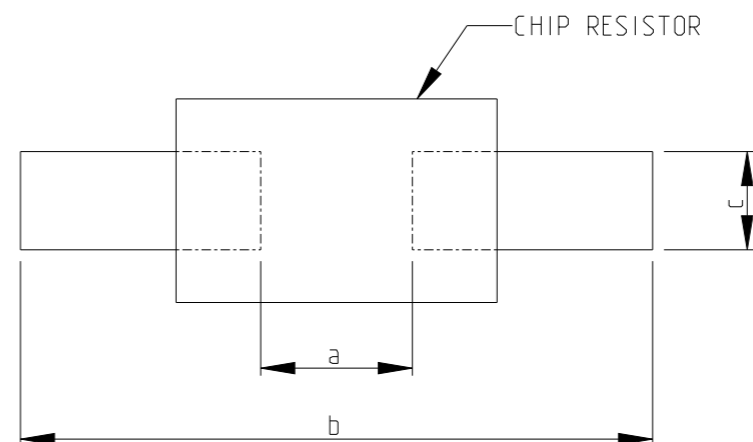


REVISIONS

P	LTR	DESCRIPTION	DATE	DWN	APVD
	A	NEW DRAWING	21MAY2018	GCM	AP
	A1	PCB LAYOUT AND SCHEDULE ADDED	24JAN2023	DM	AP



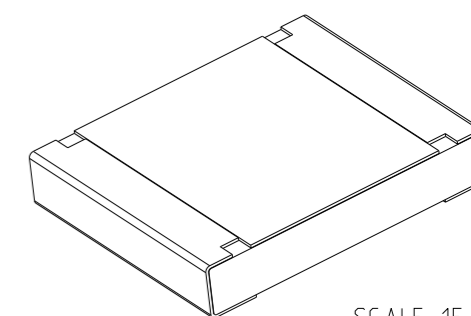
RECOMMENDED PCB LAYOUT PLAN



TYPE	a (mm)	b (mm)	c (mm)
1210	1.90 to 2.10	4.10 to 4.30	2.50 to 2.70

NOTES:

- FOR FURTHER INFORMATION SEE DATA SHEET FOR CRGCQ SERIES SMD AEC-Q200 THICK FILM CHIP RESISTORS



RoHS Compliant

THIS DRAWING IS A CONTROLLED DOCUMENT.		DWN GANESH C M 21MAY2018					
DIMENSIONS: mm		CHK ALLAN.P 21MAY2018					
TOLERANCES UNLESS OTHERWISE SPECIFIED:		APVD ALLAN.P 21MAY2018	NAME SMD AEC-Q200 COMPLIANT THICK FILM CHIP RESISTOR TYPE CRGCQ 1210 SERIES				
		PRODUCT SPEC -	APPLICATION SPEC -				
MATERIAL -		FINISH -	WEIGHT -	SIZE A3	CAGE CODE 00779	DRAWING NO C=2176346	RESTRICTED TO -
CUSTOMER DRAWING			SCALE 30:1	SHEET 1 OF 2	REV A1		

REVISIONS

P	LTR	DESCRIPTION	DATE	DWN	APVD
	-	SEE SHEET 1	-	-	-

SCHEDULE

TCPN	CATALOGUE NUMBER	PART DESCRIPTION	PART STATUS
2176346-1	CRGCQ1210J1R0	CRGCQ 1210 1R0 5%	PRODUCTION
2176346-2	CRGCQ1210J1R5	CRGCQ 1210 1R5 5%	PRODUCTION
2176346-3	CRGCQ1210J2R2	CRGCQ 1210 2R2 5%	PRODUCTION
2176346-4	CRGCQ1210J3R3	CRGCQ 1210 3R3 5%	PRODUCTION
2176346-5	CRGCQ1210J4R7	CRGCQ 1210 4R7 5%	PRODUCTION
2176346-6	CRGCQ1210J6R8	CRGCQ 1210 6R8 5%	PRODUCTION
2176346-7	CRGCQ1210J10R	CRGCQ 1210 10R 5%	PRODUCTION
2176346-8	CRGCQ1210J15R	CRGCQ 1210 15R 5%	PRODUCTION
2176346-9	CRGCQ1210J22R	CRGCQ 1210 22R 5%	PRODUCTION
1-2176346-0	CRGCQ1210J33R	CRGCQ 1210 33R 5%	PRODUCTION
1-2176346-1	CRGCQ1210J47R	CRGCQ 1210 47R 5%	PRODUCTION
1-2176346-2	CRGCQ1210J68R	CRGCQ 1210 68R 5%	PRODUCTION
1-2176346-3	CRGCQ1210J100R	CRGCQ 1210 100R 5%	PRODUCTION
1-2176346-4	CRGCQ1210J150R	CRGCQ 1210 150R 5%	PRODUCTION
1-2176346-5	CRGCQ1210J220R	CRGCQ 1210 220R 5%	PRODUCTION
1-2176346-6	CRGCQ1210J330R	CRGCQ 1210 330R 5%	PRODUCTION
1-2176346-7	CRGCQ1210J470R	CRGCQ 1210 470R 5%	PRODUCTION
1-2176346-8	CRGCQ1210J680R	CRGCQ 1210 680R 5%	PRODUCTION
1-2176346-9	CRGCQ1210J1K0	CRGCQ 1210 1K0 5%	PRODUCTION
2-2176346-0	CRGCQ1210J1K5	CRGCQ 1210 1K5 5%	PRODUCTION
2-2176346-1	CRGCQ1210J2K2	CRGCQ 1210 2K2 5%	PRODUCTION
2-2176346-2	CRGCQ1210J3K3	CRGCQ 1210 3K3 5%	PRODUCTION
2-2176346-3	CRGCQ1210J4K7	CRGCQ 1210 4K7 5%	PRODUCTION
2-2176346-4	CRGCQ1210J6K8	CRGCQ 1210 6K8 5%	PRODUCTION
2-2176346-5	CRGCQ1210J10K	CRGCQ 1210 10K 5%	PRODUCTION
2-2176346-6	CRGCQ1210J15K	CRGCQ 1210 15K 5%	PRODUCTION
2-2176346-7	CRGCQ1210J22K	CRGCQ 1210 22K 5%	PRODUCTION
2-2176346-8	CRGCQ1210J33K	CRGCQ 1210 33K 5%	PRODUCTION
2-2176346-9	CRGCQ1210J47K	CRGCQ 1210 47K 5%	PRODUCTION
3-2176346-0	CRGCQ1210J68K	CRGCQ 1210 68K 5%	PRODUCTION

SCHEDULE

TCPN	CATALOGUE NUMBER	PART DESCRIPTION	PART STATUS
3-2176346-1	CRGCQ1210J100K	CRGCQ 1210 100K 5%	PRODUCTION
3-2176346-2	CRGCQ1210J150K	CRGCQ 1210 150K 5%	PRODUCTION
3-2176346-3	CRGCQ1210J220K	CRGCQ 1210 220K 5%	PRODUCTION
3-2176346-4	CRGCQ1210J330K	CRGCQ 1210 330K 5%	PRODUCTION
3-2176346-5	CRGCQ1210J470K	CRGCQ 1210 470K 5%	PRODUCTION
3-2176346-6	CRGCQ1210J680K	CRGCQ 1210 680K 5%	PRODUCTION
3-2176346-7	CRGCQ1210J1M0	CRGCQ 1210 1M0 5%	PRODUCTION
3-2176346-8	CRGCQ1210J1M5	CRGCQ 1210 1M5 5%	PRODUCTION
3-2176346-9	CRGCQ1210J2M2	CRGCQ 1210 2M2 5%	PRODUCTION
4-2176346-0	CRGCQ1210J3M3	CRGCQ 1210 3M3 5%	PRODUCTION
4-2176346-1	CRGCQ1210J4M7	CRGCQ 1210 4M7 5%	PRODUCTION
4-2176346-2	CRGCQ1210J6M8	CRGCQ 1210 6M8 5%	PRODUCTION
4-2176346-3	CRGCQ1210J10M	CRGCQ 1210 10M 5%	PRODUCTION
4-2176346-4	CRGCQ1210ZR	CRGCQ 1210 ZEROHM	PRODUCTION

THIS DRAWING IS A CONTROLLED DOCUMENT.

DIMENSIONS: mm	TOLERANCES UNLESS OTHERWISE SPECIFIED:
	0 PLC ±0.5 1 PLC ±0.2 2 PLC ±0.1 3 PLC ± 4 PLC ± ANGLES ±°
MATERIAL	FINISH
-	-

DWN	21MAY2018
CHK	21MAY2018
APVD	21MAY2018
PRODUCT SPEC	-
APPLICATION SPEC	-
WEIGHT	-

TE TE Connectivity

NAME: SMD AEC-Q200 COMPLIANT THICK FILM CHIP RESISTOR TYPE CRGCQ 1210 SERIES

SIZE	CAGE CODE	DRAWING NO	RESTRICTED TO
A3	00779	©=2176346	-