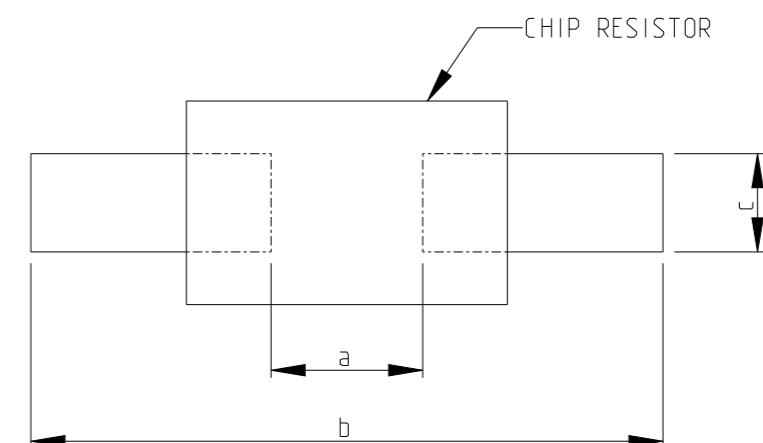


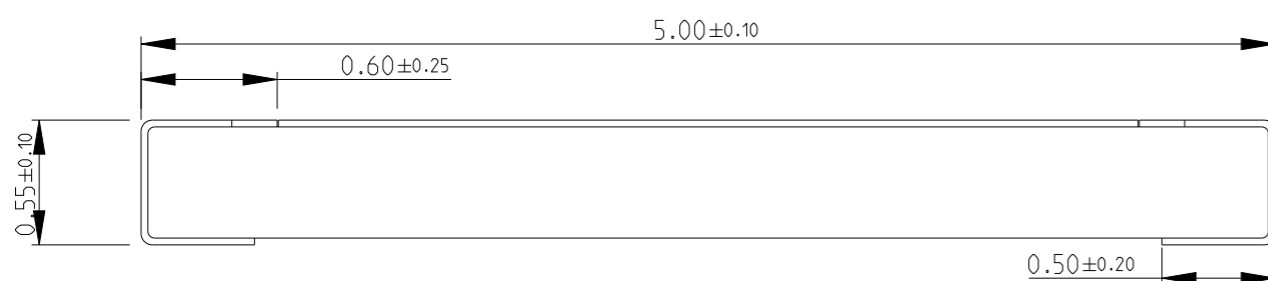
REVISIONS

P	LTR	DESCRIPTION	DATE	DWN	APVD
	A	NEW DRAWING	21MAY2018	GCM	AP
	A1	PCB LAYOUT AND SCHEDULE ADDED	24JAN2023	DM	AP

RECOMMENDED PCB LAYOUT PLAN

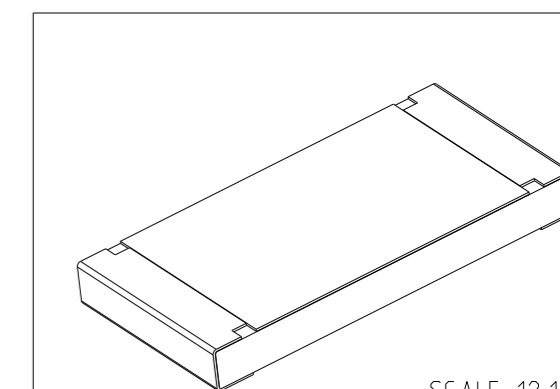


TYPE	a (mm)	b (mm)	c (mm)
2010	3.50 to 3.70	6.10 to 6.30	2.50 to 2.70



NOTES:

- FOR FURTHER INFORMATION SEE DATA SHEET FOR CRGCQ SERIES SMD AEC-Q200 THICK FILM CHIP RESISTORS



SCALE 12:1

RoHS Compliant

THIS DRAWING IS A CONTROLLED DOCUMENT.		DWN	21MAY2018		
		CHK	21MAY2018		
		APVD	21MAY2018		
		ALLAN.P	ALLAN.P		
DIMENSIONS: mm		TOLERANCES UNLESS OTHERWISE SPECIFIED:		NAME	
		0 PLC	±0.5	SMD AEC-Q200 COMPLIANT THICK FILM CHIP RESISTOR TYPE CRGCQ 2010 SERIES	
		1 PLC	±0.2	-	
		2 PLC	±0.1	-	
		3 PLC	±	-	
MATERIAL		4 PLC	±	SIZE	
		ANGLES	±5°	CAGE CODE	
		FINISH	-	DRAWING NO	
				RESTRICTED TO	
				A3 00779 ©=2176347	
				SCALE 30:1 SHEET 1 OF 2 REV A1	
				CUSTOMER DRAWING	

REVISIONS

P	LTR	DESCRIPTION	DATE	DWN	APVD
	-	SEE SHEET 1	-	-	-

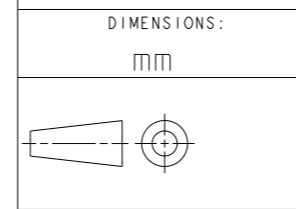
SCHEDULE

TCPN	CATALOGUE NUMBER	PART DESCRIPTION	PART STATUS
2176347-1	CRGCQ2010F10R	CRGCQ 2010 10R 1%	PRODUCTION
2176347-2	CRGCQ2010F12R	CRGCQ 2010 12R 1%	PRODUCTION
2176347-3	CRGCQ2010F15R	CRGCQ 2010 15R 1%	PRODUCTION
2176347-4	CRGCQ2010F18R	CRGCQ 2010 18R 1%	PRODUCTION
2176347-5	CRGCQ2010F22R	CRGCQ 2010 22R 1%	PRODUCTION
2176347-6	CRGCQ2010F27R	CRGCQ 2010 27R 1%	PRODUCTION
2176347-7	CRGCQ2010F33R	CRGCQ 2010 33R 1%	PRODUCTION
2176347-8	CRGCQ2010F39R	CRGCQ 2010 39R 1%	PRODUCTION
2176347-9	CRGCQ2010F47R	CRGCQ 2010 47R 1%	PRODUCTION
1-2176347-0	CRGCQ2010F56R	CRGCQ 2010 56R 1%	PRODUCTION
1-2176347-1	CRGCQ2010F68R	CRGCQ 2010 68R 1%	PRODUCTION
1-2176347-2	CRGCQ2010F82R	CRGCQ 2010 82R 1%	PRODUCTION
1-2176347-3	CRGCQ2010F100R	CRGCQ 2010 100R 1%	PRODUCTION
1-2176347-4	CRGCQ2010F120R	CRGCQ 2010 120R 1%	PRODUCTION
1-2176347-5	CRGCQ2010F150R	CRGCQ 2010 150R 1%	PRODUCTION
1-2176347-6	CRGCQ2010F180R	CRGCQ 2010 180R 1%	PRODUCTION
1-2176347-7	CRGCQ2010F220R	CRGCQ 2010 220R 1%	PRODUCTION
1-2176347-8	CRGCQ2010F270R	CRGCQ 2010 270R 1%	PRODUCTION
1-2176347-9	CRGCQ2010F330R	CRGCQ 2010 330R 1%	PRODUCTION
2-2176347-0	CRGCQ2010F390R	CRGCQ 2010 390R 1%	PRODUCTION
2-2176347-1	CRGCQ2010F470R	CRGCQ 2010 470R 1%	PRODUCTION
2-2176347-2	CRGCQ2010F560R	CRGCQ 2010 560R 1%	PRODUCTION
2-2176347-3	CRGCQ2010F680R	CRGCQ 2010 680R 1%	PRODUCTION
2-2176347-4	CRGCQ2010F820R	CRGCQ 2010 820R 1%	PRODUCTION
2-2176347-5	CRGCQ2010F1K0	CRGCQ 2010 1K0 1%	PRODUCTION
2-2176347-6	CRGCQ2010F1K2	CRGCQ 2010 1K2 1%	PRODUCTION
2-2176347-7	CRGCQ2010F1K5	CRGCQ 2010 1K5 1%	PRODUCTION
2-2176347-8	CRGCQ2010F1K8	CRGCQ 2010 1K8 1%	PRODUCTION
2-2176347-9	CRGCQ2010F2K2	CRGCQ 2010 2K2 1%	PRODUCTION
3-2176347-0	CRGCQ2010F2K7	CRGCQ 2010 2K7 1%	PRODUCTION

SCHEDULE

TCPN	CATALOGUE NUMBER	PART DESCRIPTION	PART STATUS
3-2176347-1	CRGCQ2010F3K3	CRGCQ 2010 3K3 1%	PRODUCTION
3-2176347-2	CRGCQ2010F3K9	CRGCQ 2010 3K9 1%	PRODUCTION
3-2176347-3	CRGCQ2010F4K7	CRGCQ 2010 4K7 1%	PRODUCTION
3-2176347-4	CRGCQ2010F5K6	CRGCQ 2010 5K6 1%	PRODUCTION
3-2176347-5	CRGCQ2010F6K8	CRGCQ 2010 6K8 1%	PRODUCTION
3-2176347-6	CRGCQ2010F8K2	CRGCQ 2010 8K2 1%	PRODUCTION
3-2176347-7	CRGCQ2010F10K	CRGCQ 2010 10K 1%	PRODUCTION
3-2176347-8	CRGCQ2010F12K	CRGCQ 2010 12K 1%	PRODUCTION
3-2176347-9	CRGCQ2010F15K	CRGCQ 2010 15K 1%	PRODUCTION
4-2176347-0	CRGCQ2010F18K	CRGCQ 2010 18K 1%	PRODUCTION
4-2176347-1	CRGCQ2010F22K	CRGCQ 2010 22K 1%	PRODUCTION
4-2176347-2	CRGCQ2010F27K	CRGCQ 2010 27K 1%	PRODUCTION
4-2176347-3	CRGCQ2010F33K	CRGCQ 2010 33K 1%	PRODUCTION
4-2176347-4	CRGCQ2010F39K	CRGCQ 2010 39K 1%	PRODUCTION
4-2176347-5	CRGCQ2010F47K	CRGCQ 2010 47K 1%	PRODUCTION
4-2176347-6	CRGCQ2010F56K	CRGCQ 2010 56K 1%	PRODUCTION
4-2176347-7	CRGCQ2010F68K	CRGCQ 2010 68K 1%	PRODUCTION
4-2176347-8	CRGCQ2010F82K	CRGCQ 2010 82K 1%	PRODUCTION
4-2176347-9	CRGCQ2010F100K	CRGCQ 2010 100K 1%	PRODUCTION
5-2176347-0	CRGCQ2010F120K	CRGCQ 2010 120K 1%	PRODUCTION
5-2176347-1	CRGCQ2010F150K	CRGCQ 2010 150K 1%	PRODUCTION
5-2176347-2	CRGCQ2010F180K	CRGCQ 2010 180K 1%	PRODUCTION
5-2176347-3	CRGCQ2010F220K	CRGCQ 2010 220K 1%	PRODUCTION
5-2176347-4	CRGCQ2010F270K	CRGCQ 2010 270K 1%	PRODUCTION
5-2176347-5	CRGCQ2010F330K	CRGCQ 2010 330K 1%	PRODUCTION
5-2176347-6	CRGCQ2010F390K	CRGCQ 2010 390K 1%	PRODUCTION
5-2176347-7	CRGCQ2010F470K	CRGCQ 2010 470K 1%	PRODUCTION
5-2176347-8	CRGCQ2010F560K	CRGCQ 2010 560K 1%	PRODUCTION
5-2176347-9	CRGCQ2010F680K	CRGCQ 2010 680K 1%	PRODUCTION
6-2176347-0	CRGCQ2010F820K	CRGCQ 2010 820K 1%	PRODUCTION
6-2176347-1	CRGCQ2010F1M0	CRGCQ 2010 1M0 1%	PRODUCTION

THIS DRAWING IS A CONTROLLED DOCUMENT.



DIMENSIONS:	TOLERANCES UNLESS OTHERWISE SPECIFIED:
mm	
0 PLC	±0.5
1 PLC	±0.2
2 PLC	±0.1
3 PLC	±
4 PLC	±
ANGLES	±5°
MATERIAL	FINISH
-	-

DWN	21MAY2018
CHK	GANESH C M
APVD	21MAY2018
PRODUCT SPEC	ALLAN.P
APPLICATION SPEC	ALLAN.P
WEIGHT	-
CUSTOMER DRAWING	-



TE Connectivity

NAME SMD AEC-Q200 COMPLIANT THICK FILM CHIP RESISTOR TYPE CRGCQ 2010 SERIES

SIZE	CAGE CODE	DRAWING NO	RESTRICTED TO
A3	00779	©=2176347	-

SCALE	SHEET	REV
30:1	2 OF 2	A1