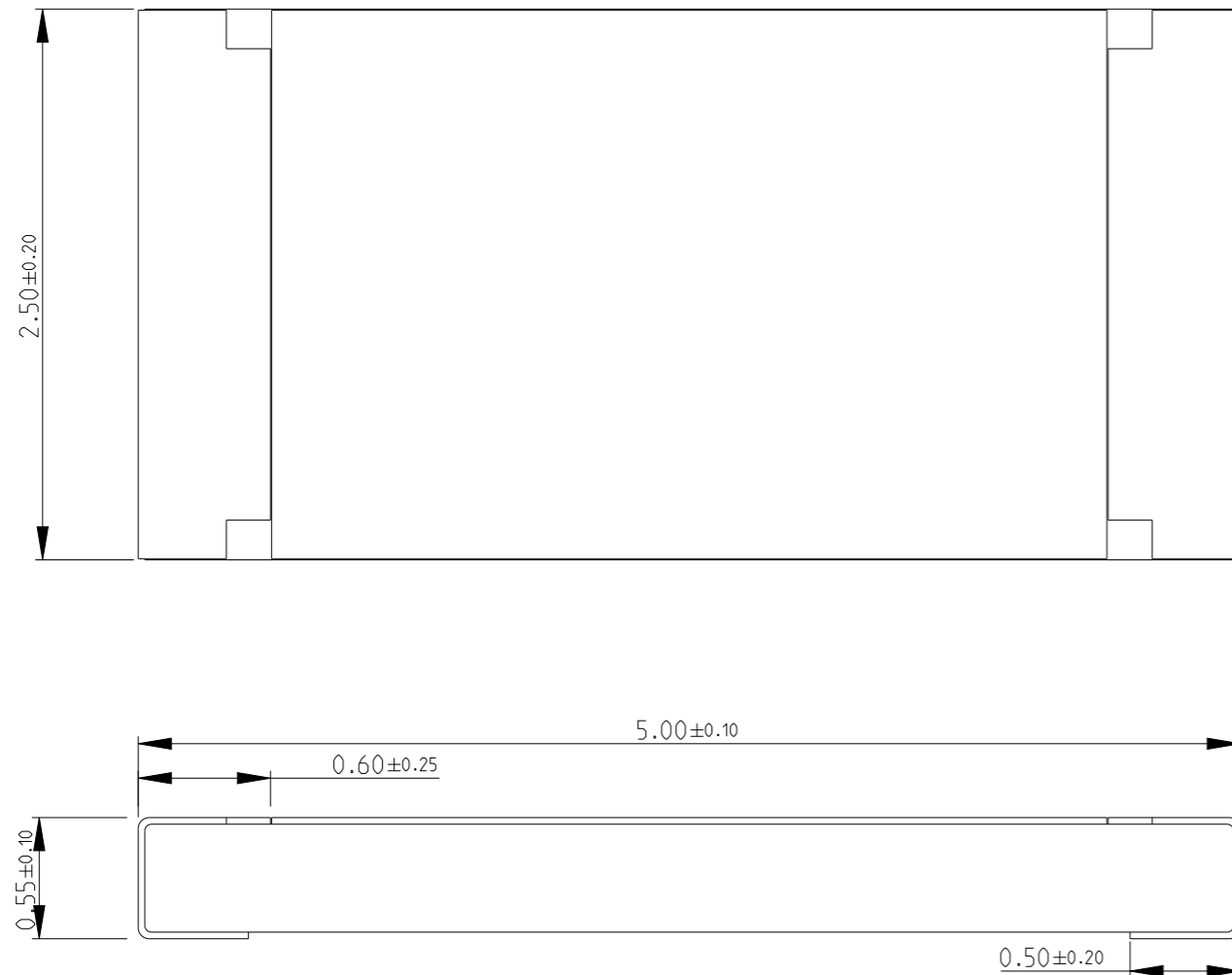
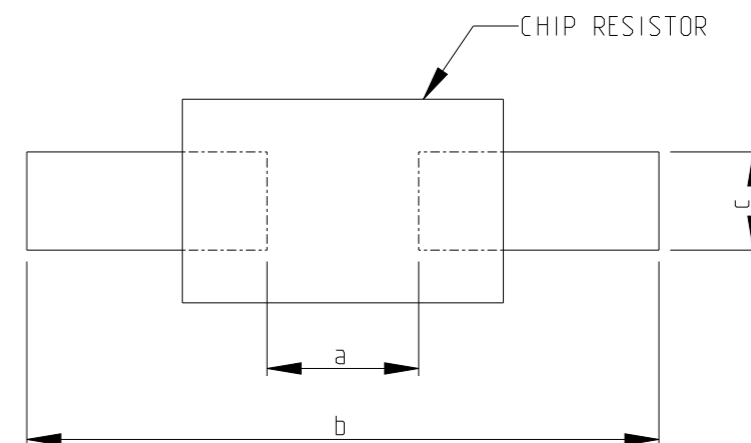


P	LTR	DESCRIPTION	DATE	DWN	APVD
	A	NEW DRAWING	21MAY2018	GCM	AP
	A1	PCB LAYOUT AND SCHEDULE ADDED	24JAN2023	DM	AP



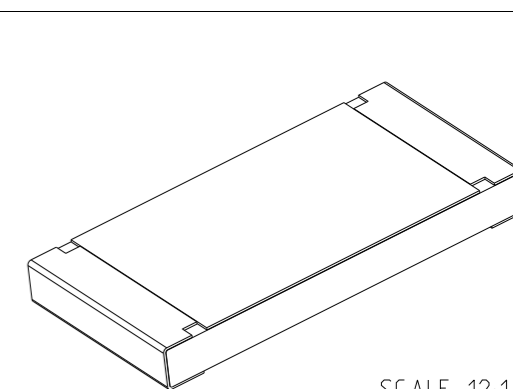
RECOMMENDED PCB LAYOUT PLAN



TYPE	a (mm)	b (mm)	c (mm)
2010	3.50 to 3.70	6.10 to 6.30	2.50 to 2.70

NOTES:

1. FOR FURTHER INFORMATION SEE DATA SHEET FOR CRGCQ SERIES SMD AEC-Q200 THICK FILM CHIP RESISTORS



SCALE 12:1

RoHS Compliant

THIS DRAWING IS A CONTROLLED DOCUMENT.		DWN	21MAY2018		
		CHK	21MAY2018		
DIMENSIONS: mm		ALLAN.P		NAME	
TOLERANCES UNLESS OTHERWISE SPECIFIED:		APVD 21MAY2018		SMD AEC-Q200 COMPLIANT THICK FILM CHIP RESISTOR TYPE CRGCQ 2010 SERIES	
0 PLC ±0.5		PRODUCT SPEC		-	
1 PLC ±0.2		APPLICATION SPEC		-	
2 PLC ±0.1		WEIGHT		-	
3 PLC ±		CUSTOMER DRAWING		SCALE 30:1	
4 PLC ±		-		SHEET 1 OF 2	
ANGLES ±		-		REV A1	
FINISH -		-		RESTRICTED TO -	
-		-		SIZE A3	
-		-		CAGE CODE 00779	
-		-		DRAWING NO. C=2176348	

REVISIONS

P	LTR	DESCRIPTION	DATE	DWN	APVD
	-	SEE SHEET 1	-	-	-

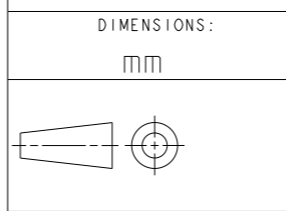
SCHEDULE

TCPN	CATALOGUE NUMBER	PART DESCRIPTION	PART STATUS
2176348-1	CRGCQ2010J1R0	CRGCQ 2010 1R0 5%	PRODUCTION
2176348-2	CRGCQ2010J1R5	CRGCQ 2010 1R5 5%	PRODUCTION
2176348-3	CRGCQ2010J2R2	CRGCQ 2010 2R2 5%	PRODUCTION
2176348-4	CRGCQ2010J3R3	CRGCQ 2010 3R3 5%	PRODUCTION
2176348-5	CRGCQ2010J4R7	CRGCQ 2010 4R7 5%	PRODUCTION
2176348-6	CRGCQ2010J6R8	CRGCQ 2010 6R8 5%	PRODUCTION
2176348-7	CRGCQ2010J10R	CRGCQ 2010 10R 5%	PRODUCTION
2176348-8	CRGCQ2010J15R	CRGCQ 2010 15R 5%	PRODUCTION
2176348-9	CRGCQ2010J22R	CRGCQ 2010 22R 5%	PRODUCTION
1-2176348-0	CRGCQ2010J33R	CRGCQ 2010 33R 5%	PRODUCTION
1-2176348-1	CRGCQ2010J47R	CRGCQ 2010 47R 5%	PRODUCTION
1-2176348-2	CRGCQ2010J68R	CRGCQ 2010 68R 5%	PRODUCTION
1-2176348-3	CRGCQ2010J100R	CRGCQ 2010 100R 5%	PRODUCTION
1-2176348-4	CRGCQ2010J150R	CRGCQ 2010 150R 5%	PRODUCTION
1-2176348-5	CRGCQ2010J220R	CRGCQ 2010 220R 5%	PRODUCTION
1-2176348-6	CRGCQ2010J330R	CRGCQ 2010 330R 5%	PRODUCTION
1-2176348-7	CRGCQ2010J470R	CRGCQ 2010 470R 5%	PRODUCTION
1-2176348-8	CRGCQ2010J680R	CRGCQ 2010 680R 5%	PRODUCTION
1-2176348-9	CRGCQ2010J1K0	CRGCQ 2010 1K0 5%	PRODUCTION
2-2176348-0	CRGCQ2010J1K5	CRGCQ 2010 1K5 5%	PRODUCTION
2-2176348-1	CRGCQ2010J2K2	CRGCQ 2010 2K2 5%	PRODUCTION
2-2176348-2	CRGCQ2010J3K3	CRGCQ 2010 3K3 5%	PRODUCTION
2-2176348-3	CRGCQ2010J4K7	CRGCQ 2010 4K7 5%	PRODUCTION
2-2176348-4	CRGCQ2010J6K8	CRGCQ 2010 6K8 5%	PRODUCTION
2-2176348-5	CRGCQ2010J10K	CRGCQ 2010 10K 5%	PRODUCTION
2-2176348-6	CRGCQ2010J15K	CRGCQ 2010 15K 5%	PRODUCTION
2-2176348-7	CRGCQ2010J22K	CRGCQ 2010 22K 5%	PRODUCTION
2-2176348-8	CRGCQ2010J33K	CRGCQ 2010 33K 5%	PRODUCTION
2-2176348-9	CRGCQ2010J47K	CRGCQ 2010 47K 5%	PRODUCTION
3-2176348-0	CRGCQ2010J68K	CRGCQ 2010 68K 5%	PRODUCTION

SCHEDULE

TCPN	CATALOGUE NUMBER	PART DESCRIPTION	PART STATUS
3-2176348-1	CRGCQ2010J100K	CRGCQ 2010 100K 5%	PRODUCTION
3-2176348-2	CRGCQ2010J150K	CRGCQ 2010 150K 5%	PRODUCTION
3-2176348-3	CRGCQ2010J220K	CRGCQ 2010 220K 5%	PRODUCTION
3-2176348-4	CRGCQ2010J330K	CRGCQ 2010 330K 5%	PRODUCTION
3-2176348-5	CRGCQ2010J470K	CRGCQ 2010 470K 5%	PRODUCTION
3-2176348-6	CRGCQ2010J680K	CRGCQ 2010 680K 5%	PRODUCTION
3-2176348-7	CRGCQ2010J1M0	CRGCQ 2010 1M0 5%	PRODUCTION
3-2176348-8	CRGCQ2010J1M5	CRGCQ 2010 1M5 5%	PRODUCTION
3-2176348-9	CRGCQ2010J2M2	CRGCQ 2010 2M2 5%	PRODUCTION
4-2176348-0	CRGCQ2010J3M3	CRGCQ 2010 3M3 5%	PRODUCTION
4-2176348-1	CRGCQ2010J4M7	CRGCQ 2010 4M7 5%	PRODUCTION
4-2176348-2	CRGCQ2010J6M8	CRGCQ 2010 6M8 5%	PRODUCTION
4-2176348-3	CRGCQ2010J10M	CRGCQ 2010 10M 5%	PRODUCTION
4-2176348-4	CRGCQ2010ZR	CRGCQ 2010 ZEROHM	PRODUCTION
4-2176348-5	CRGCQ2010J2M0	CRGCQ 2010 2M0 5%	PRODUCTION

THIS DRAWING IS A CONTROLLED DOCUMENT.



MATERIAL -

DIMENSIONS:		TOLERANCES UNLESS OTHERWISE SPECIFIED:	
mm			
0 PLC	±0.5	1 PLC	±0.2
2 PLC	±0.1	3 PLC	±
4 PLC	±	ANGLES	±5°
FINISH		-	

DWN	GANESH C M	21MAY2018
CHK	ALLAN.P	21MAY2018
APVD	ALLAN.P	21MAY2018
PRODUCT SPEC	-	-
APPLICATION SPEC	-	-
WEIGHT	-	-

**TE** TE Connectivity

NAME: SMD AEC-Q200 COMPLIANT THICK FILM CHIP RESISTOR TYPE CRGCQ 2010 SERIES

SIZE	CAGE CODE	DRAWING NO	RESTRICTED TO
A3	00779	©=2176348	-