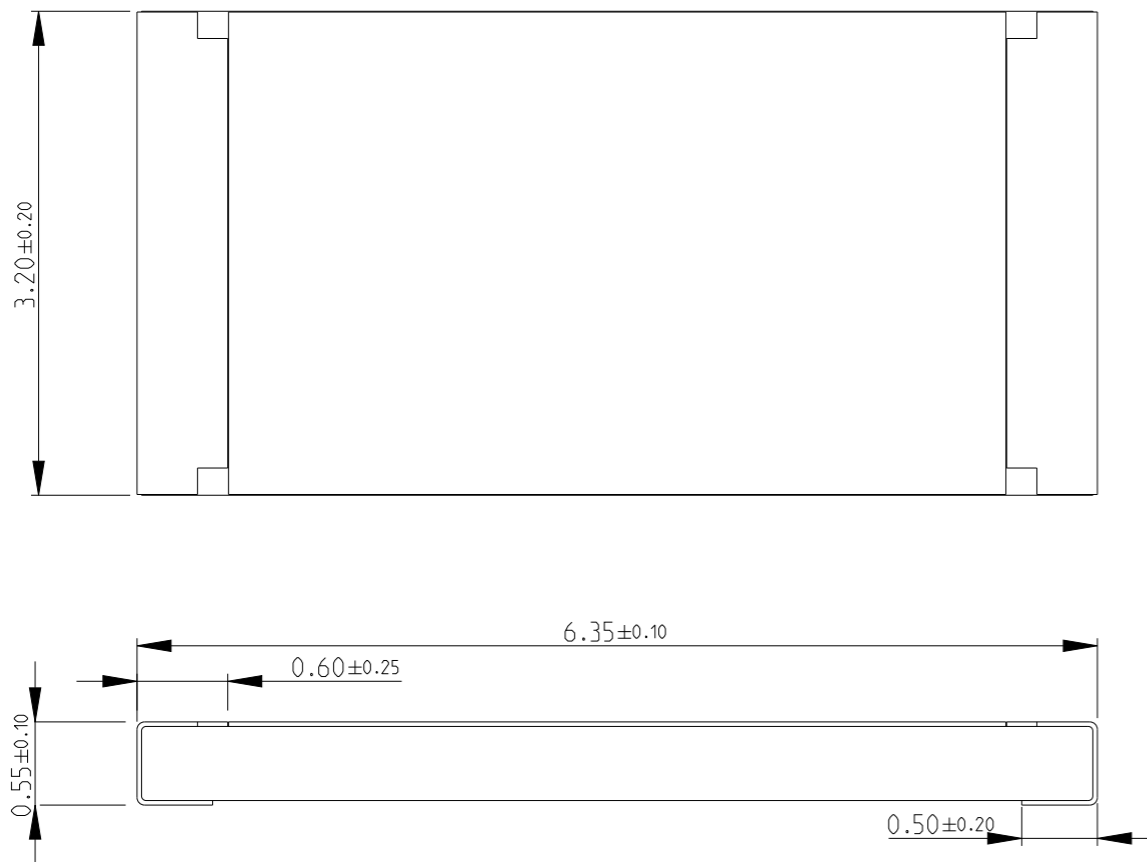
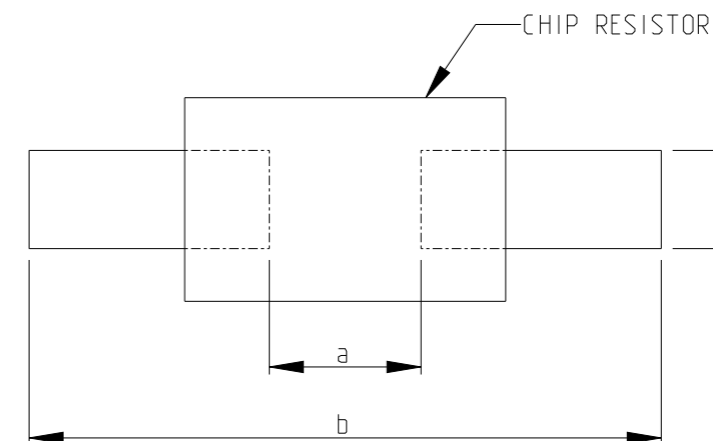


P	LTR	DESCRIPTION	DATE	DWN	APVD
	A	NEW DRAWING	21MAY2018	GCM	AP
	A1	PCB LAYOUT AND SCHEDULE ADDED	24JAN2023	DM	AP



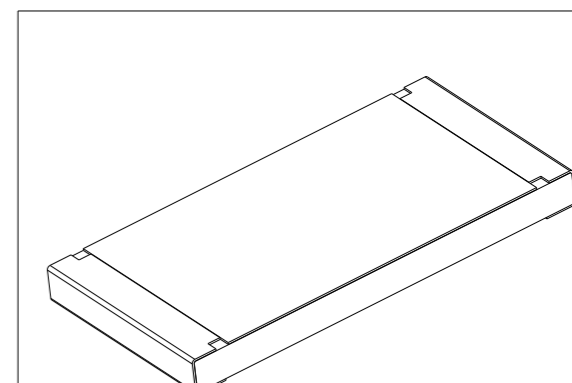
RECOMMENDED PCB LAYOUT PLAN



TYPE	a (mm)	b (mm)	c (mm)
2512	4.90 to 5.10	8.10 to 8.30	3.20 to 3.40

NOTES:

- FOR FURTHER INFORMATION SEE DATA SHEET FOR CRGCQ SERIES SMD AEC-Q200 THICK FILM CHIP RESISTORS



SCALE 10:1

RoHS Compliant

THIS DRAWING IS A CONTROLLED DOCUMENT.		DWN	21MAY2018		
		CHK	21MAY2018		
		APVD	21MAY2018		
		ALLAN.P	ALLAN.P		
DIMENSIONS: mm		TOLERANCES UNLESS OTHERWISE SPECIFIED:		NAME SMD AEC-Q200 COMPLIANT THICK FILM CHIP RESISTOR TYPE CRGCQ 2512 SERIES	
		0 PLC	±0.5	SIZE	
		1 PLC	±0.2	CAGE CODE	
		2 PLC	±0.1	DRAWING NO	
		3 PLC	±	RESTRICTED TO	
		4 PLC	±	-	
		ANGLES	±5°	-	
MATERIAL		FINISH		WEIGHT	
-		-		-	
CUSTOMER DRAWING				SCALE	20:1
				SHEET	1 OF 2
				REV	A1

REVISIONS

P	LTR	DESCRIPTION	DATE	DWN	APVD
	-	SEE SHEET 1	-	-	-

SCHEDULE

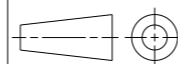
TCPN	CATALOGUE NUMBER	PART DESCRIPTION	PART STATUS
2176349-1	CRGCQ2512F10R	CRGCQ 2512 10R 1%	PRODUCTION
2176349-2	CRGCQ2512F12R	CRGCQ 2512 12R 1%	PRODUCTION
2176349-3	CRGCQ2512F15R	CRGCQ 2512 15R 1%	PRODUCTION
2176349-4	CRGCQ2512F18R	CRGCQ 2512 18R 1%	PRODUCTION
2176349-5	CRGCQ2512F22R	CRGCQ 2512 22R 1%	PRODUCTION
2176349-6	CRGCQ2512F27R	CRGCQ 2512 27R 1%	PRODUCTION
2176349-7	CRGCQ2512F33R	CRGCQ 2512 33R 1%	PRODUCTION
2176349-8	CRGCQ2512F39R	CRGCQ 2512 39R 1%	PRODUCTION
2176349-9	CRGCQ2512F47R	CRGCQ 2512 47R 1%	PRODUCTION
1-2176349-0	CRGCQ2512F56R	CRGCQ 2512 56R 1%	PRODUCTION
1-2176349-1	CRGCQ2512F68R	CRGCQ 2512 68R 1%	PRODUCTION
1-2176349-2	CRGCQ2512F82R	CRGCQ 2512 82R 1%	PRODUCTION
1-2176349-3	CRGCQ2512F100R	CRGCQ 2512 100R 1%	PRODUCTION
1-2176349-4	CRGCQ2512F120R	CRGCQ 2512 120R 1%	PRODUCTION
1-2176349-5	CRGCQ2512F150R	CRGCQ 2512 150R 1%	PRODUCTION
1-2176349-6	CRGCQ2512F180R	CRGCQ 2512 180R 1%	PRODUCTION
1-2176349-7	CRGCQ2512F220R	CRGCQ 2512 220R 1%	PRODUCTION
1-2176349-8	CRGCQ2512F270R	CRGCQ 2512 270R 1%	PRODUCTION
1-2176349-9	CRGCQ2512F330R	CRGCQ 2512 330R 1%	PRODUCTION
2-2176349-0	CRGCQ2512F390R	CRGCQ 2512 390R 1%	PRODUCTION
2-2176349-1	CRGCQ2512F470R	CRGCQ 2512 470R 1%	PRODUCTION
2-2176349-2	CRGCQ2512F560R	CRGCQ 2512 560R 1%	PRODUCTION
2-2176349-3	CRGCQ2512F680R	CRGCQ 2512 680R 1%	PRODUCTION
2-2176349-4	CRGCQ2512F820R	CRGCQ 2512 820R 1%	PRODUCTION
2-2176349-5	CRGCQ2512F1K0	CRGCQ 2512 1K0 1%	PRODUCTION
2-2176349-6	CRGCQ2512F1K2	CRGCQ 2512 1K2 1%	PRODUCTION
2-2176349-7	CRGCQ2512F1K5	CRGCQ 2512 1K5 1%	PRODUCTION
2-2176349-8	CRGCQ2512F1K8	CRGCQ 2512 1K8 1%	PRODUCTION
2-2176349-9	CRGCQ2512F2K2	CRGCQ 2512 2K2 1%	PRODUCTION
3-2176349-0	CRGCQ2512F2K7	CRGCQ 2512 2K7 1%	PRODUCTION

SCHEDULE

TCPN	CATALOGUE NUMBER	PART DESCRIPTION	PART STATUS
3-2176349-1	CRGCQ2512F3K3	CRGCQ 2512 3K3 1%	PRODUCTION
3-2176349-2	CRGCQ2512F3K9	CRGCQ 2512 3K9 1%	PRODUCTION
3-2176349-3	CRGCQ2512F4K7	CRGCQ 2512 4K7 1%	PRODUCTION
3-2176349-4	CRGCQ2512F5K6	CRGCQ 2512 5K6 1%	PRODUCTION
3-2176349-5	CRGCQ2512F6K8	CRGCQ 2512 6K8 1%	PRODUCTION
3-2176349-6	CRGCQ2512F8K2	CRGCQ 2512 8K2 1%	PRODUCTION
3-2176349-7	CRGCQ2512F10K	CRGCQ 2512 10K 1%	PRODUCTION
3-2176349-8	CRGCQ2512F12K	CRGCQ 2512 12K 1%	PRODUCTION
3-2176349-9	CRGCQ2512F15K	CRGCQ 2512 15K 1%	PRODUCTION
4-2176349-0	CRGCQ2512F18K	CRGCQ 2512 18K 1%	PRODUCTION
4-2176349-1	CRGCQ2512F22K	CRGCQ 2512 22K 1%	PRODUCTION
4-2176349-2	CRGCQ2512F27K	CRGCQ 2512 27K 1%	PRODUCTION
4-2176349-3	CRGCQ2512F33K	CRGCQ 2512 33K 1%	PRODUCTION
4-2176349-4	CRGCQ2512F39K	CRGCQ 2512 39K 1%	PRODUCTION
4-2176349-5	CRGCQ2512F47K	CRGCQ 2512 47K 1%	PRODUCTION
4-2176349-6	CRGCQ2512F56K	CRGCQ 2512 56K 1%	PRODUCTION
4-2176349-7	CRGCQ2512F68K	CRGCQ 2512 68K 1%	PRODUCTION
4-2176349-8	CRGCQ2512F82K	CRGCQ 2512 82K 1%	PRODUCTION
4-2176349-9	CRGCQ2512F100K	CRGCQ 2512 100K 1%	PRODUCTION
5-2176349-0	CRGCQ2512F120K	CRGCQ 2512 120K 1%	PRODUCTION
5-2176349-1	CRGCQ2512F150K	CRGCQ 2512 150K 1%	PRODUCTION
5-2176349-2	CRGCQ2512F180K	CRGCQ 2512 180K 1%	PRODUCTION
5-2176349-3	CRGCQ2512F220K	CRGCQ 2512 220K 1%	PRODUCTION
5-2176349-4	CRGCQ2512F270K	CRGCQ 2512 270K 1%	PRODUCTION
5-2176349-5	CRGCQ2512F330K	CRGCQ 2512 330K 1%	PRODUCTION
5-2176349-6	CRGCQ2512F390K	CRGCQ 2512 390K 1%	PRODUCTION
5-2176349-7	CRGCQ2512F470K	CRGCQ 2512 470K 1%	PRODUCTION
5-2176349-8	CRGCQ2512F560K	CRGCQ 2512 560K 1%	PRODUCTION
5-2176349-9	CRGCQ2512F680K	CRGCQ 2512 680K 1%	PRODUCTION
6-2176349-0	CRGCQ2512F820K	CRGCQ 2512 820K 1%	PRODUCTION
6-2176349-1	CRGCQ2512F1M0	CRGCQ 2512 1M0 1%	PRODUCTION

THIS DRAWING IS A CONTROLLED DOCUMENT.

DIMENSIONS:
mm



MATERIAL
-

TOLERANCES UNLESS OTHERWISE SPECIFIED:

- 0 PLC ±0.5
- 1 PLC ±0.2
- 2 PLC ±0.1
- 3 PLC ±
- 4 PLC ±
- ANGLES ±°
- FINISH -

DWN GANESH C M 21MAY2018

CHK ALLAN.P 21MAY2018

APVD ALLAN.P 21MAY2018

PRODUCT SPEC

APPLICATION SPEC

WEIGHT -

CUSTOMER DRAWING



TE Connectivity

NAME SMD AEC-Q200 COMPLIANT THICK FILM CHIP RESISTOR TYPE CRGCQ 2512 SERIES

SIZE CAGE CODE DRAWING NO RESTRICTED TO

A3 00779 C-2176349

SCALE 20:1 SHEET 2 OF 2 REV A1